

[54] AQUARIUM STAND

[76] Inventor: **Barbara A. Ford**, 6823 Grebe Pl., Philadelphia, Pa. 19142

[**] Term: **14 Years**

[21] Appl. No.: **222,605**

[22] Filed: **Jan. 5, 1981**

Related U.S. Application Data

[63] Continuation-in-part of Ser. No. 943,479, Sep. 15, 1978.

[51] Int. Cl. **D30-02**

[52] U.S. Cl. **D30/12**

[58] Field of Search **D30/6-12;**
119/5; D6/20-27; D11/145

References Cited

U.S. PATENT DOCUMENTS

- D. 56,540 11/1920 Sailer D6/27 X
- D. 128,488 7/1941 Gunder D6/25
- D. 224,854 10/1972 Choy D6/20
- D. 230,164 1/1974 Young et al. D30/12
- D. 231,786 6/1974 Burnley D30/12
- D. 235,597 7/1975 Loomis D6/24

- D. 240,363 6/1976 Weigol et al. D30/12
- D. 246,262 11/1977 Zupo D30/8
- D. 249,073 8/1978 Harden D30/12
- D. 259,593 6/1981 Gross D30/10
- 3,650,384 3/1972 Pegg D30/8 X

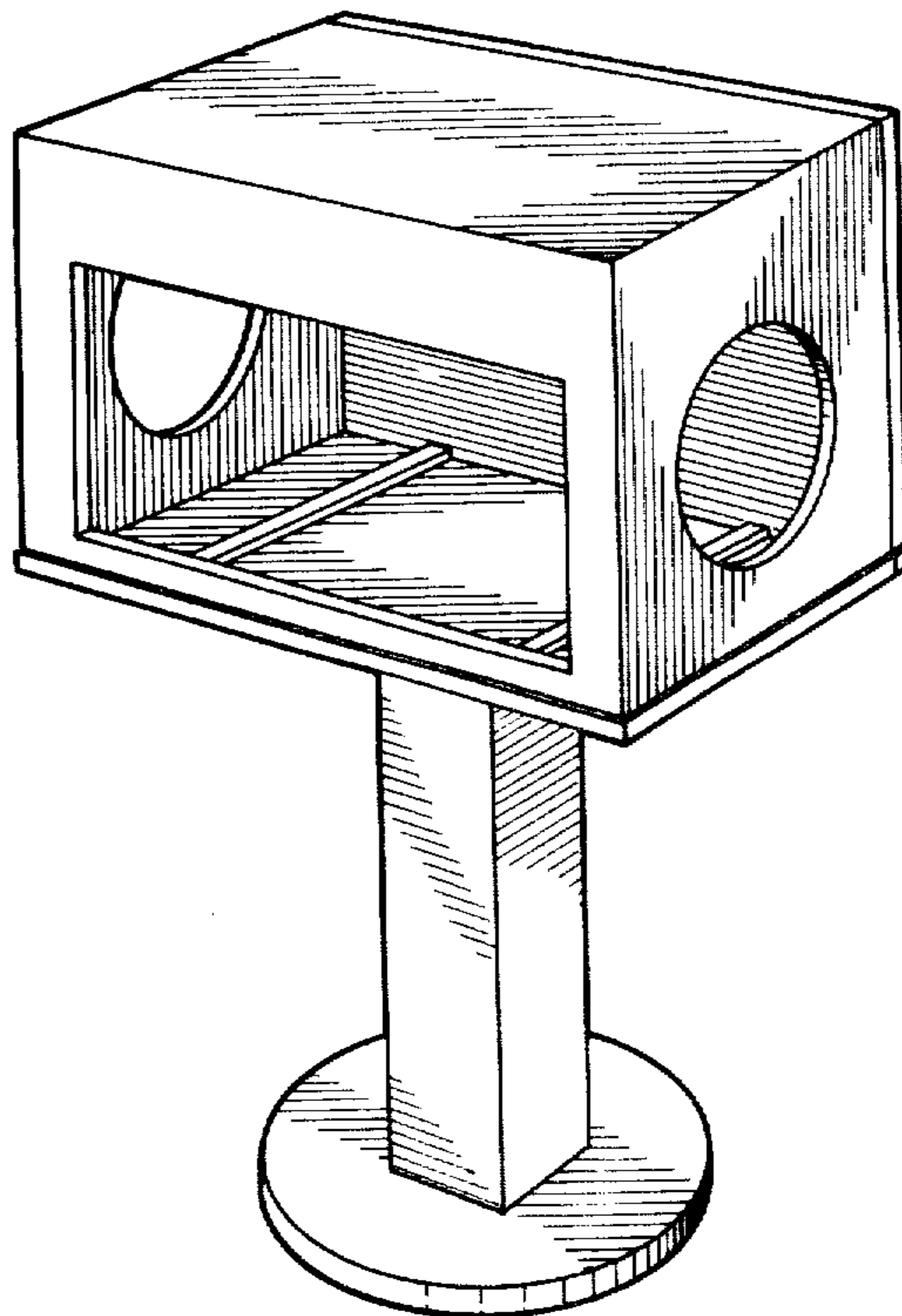
Primary Examiner—James R. Largen
Attorney, Agent, or Firm—Susan Borden Evans

[57] **CLAIM**

The ornamental design for an aquarium stand, as shown and described.

DESCRIPTION

FIG. 1 is a perspective view taken from the top, front and right side of an aquarium stand showing my new design;
 FIG. 2 is a front elevational view thereof;
 FIG. 3 is a right side elevational view thereof, the left side being a mirror image of the right side shown;
 FIG. 4 is a perspective view taken from the top, front and right side of a modified form of the aquarium stand shown in FIG. 1;
 FIG. 5 is a front elevational view of FIG. 4; and
 FIG. 6 is a right side elevational view of FIG. 4, the left side being a mirror image of the right side shown.



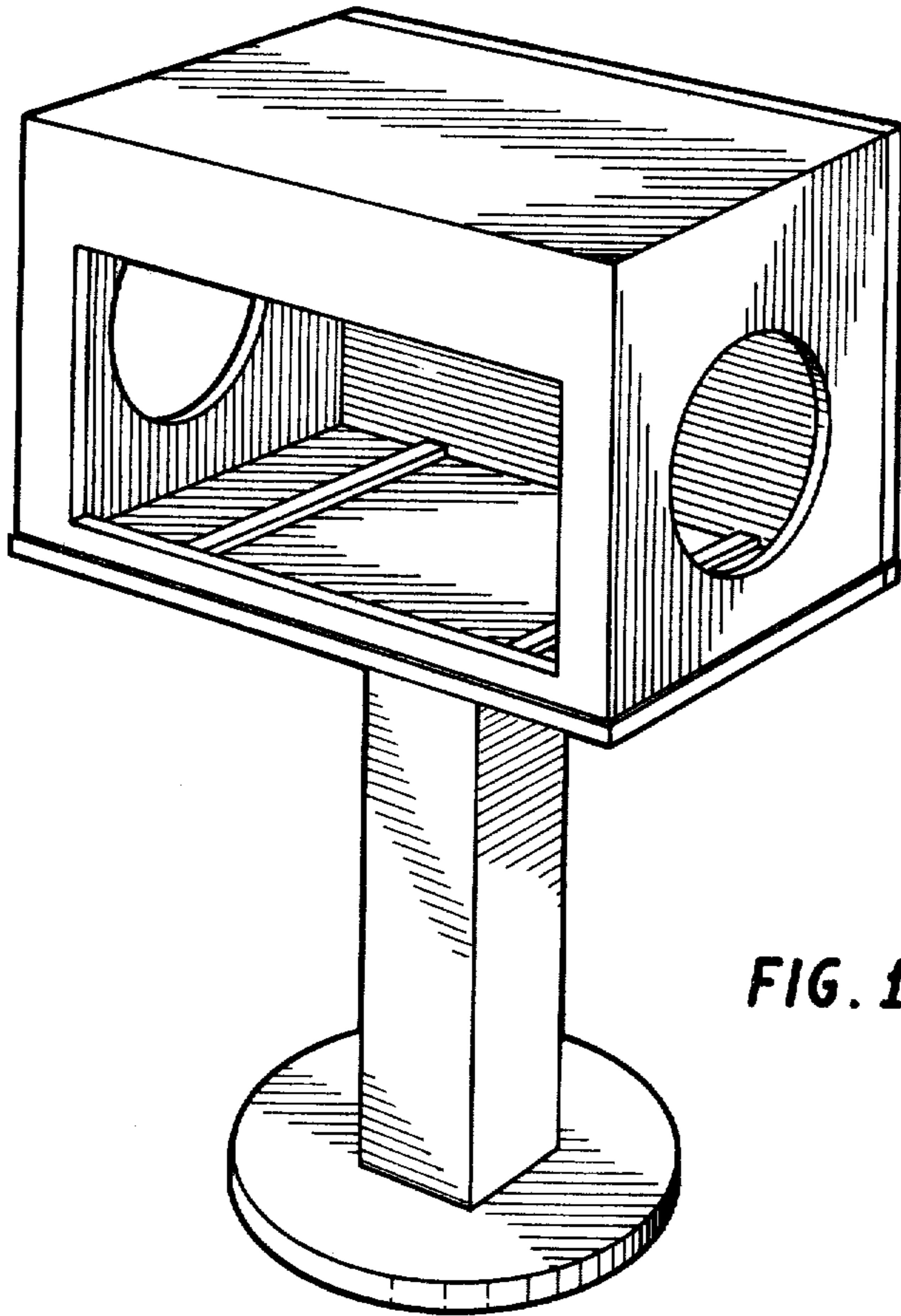


FIG. 1

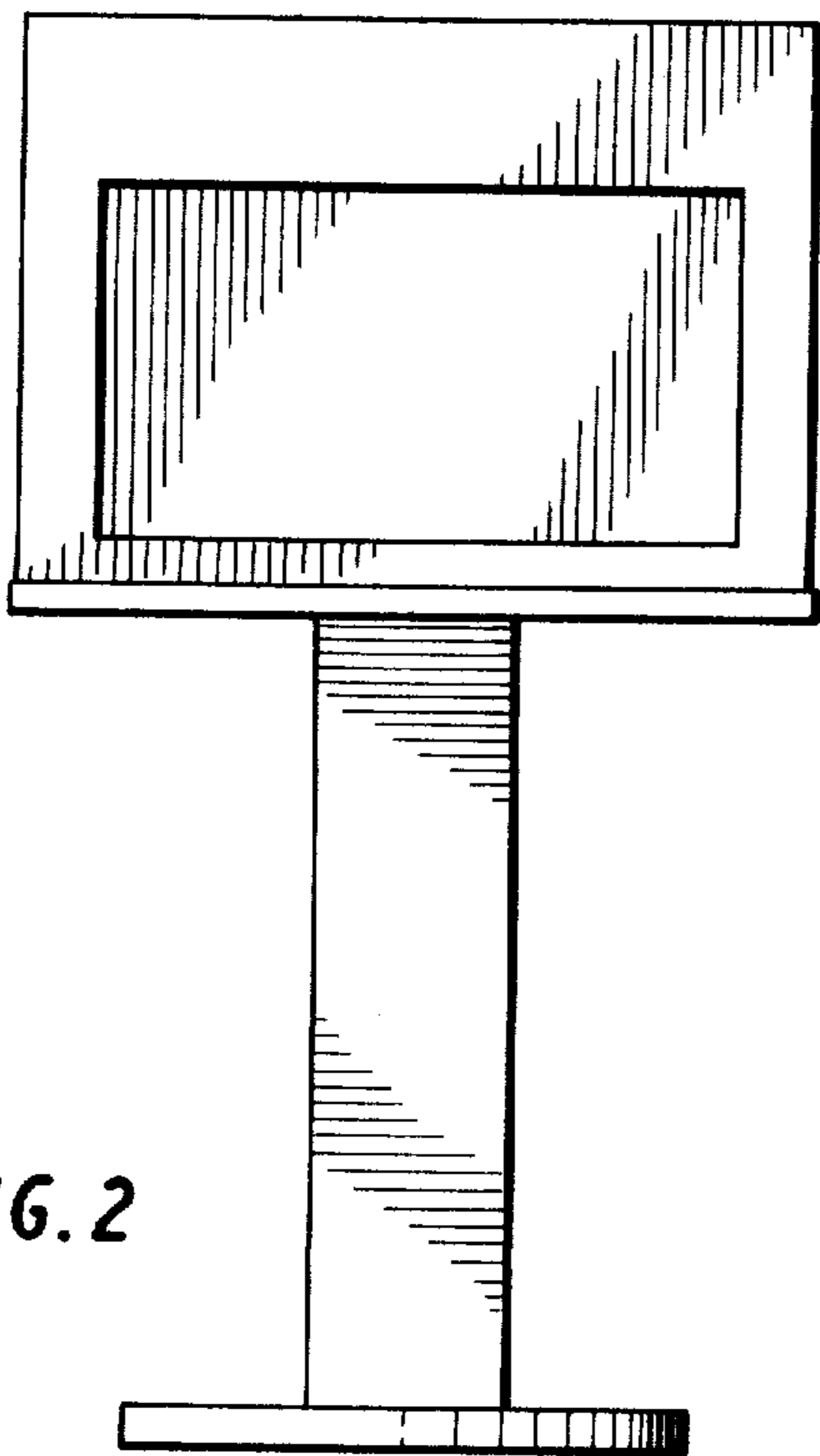


FIG. 2

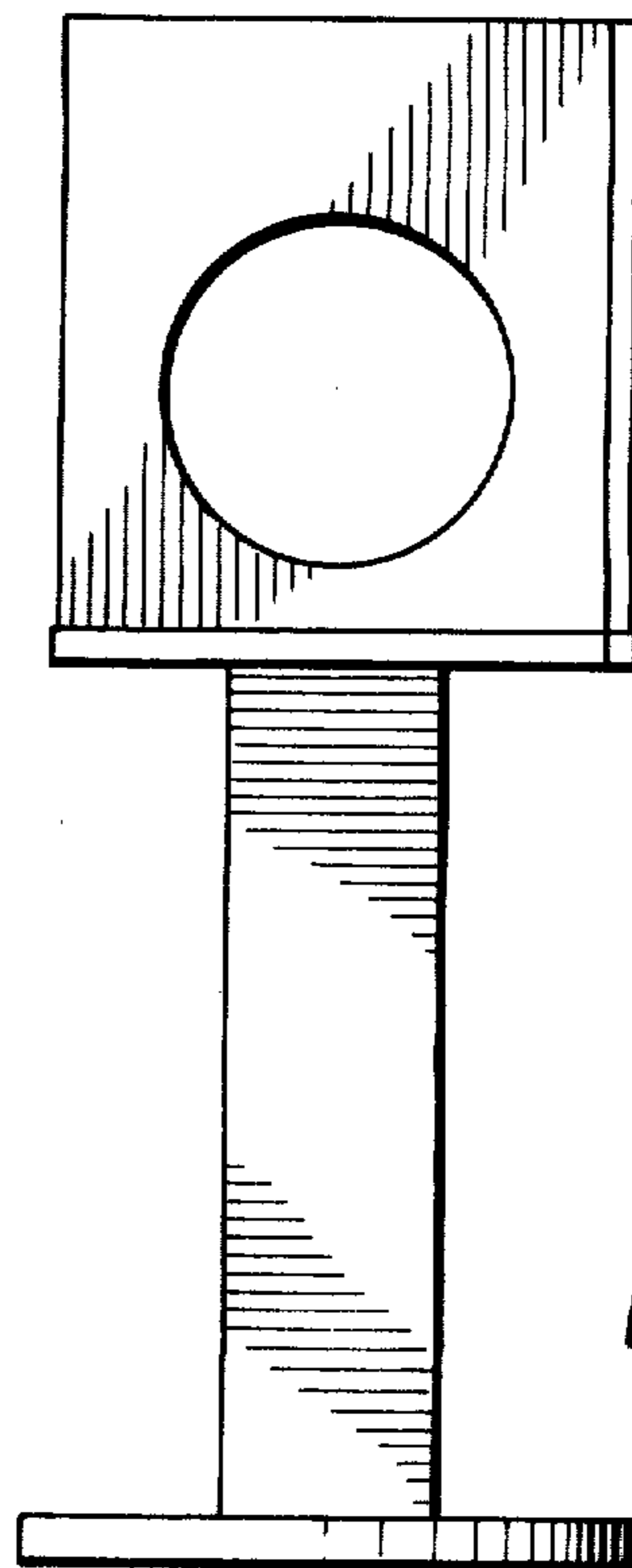


FIG. 3

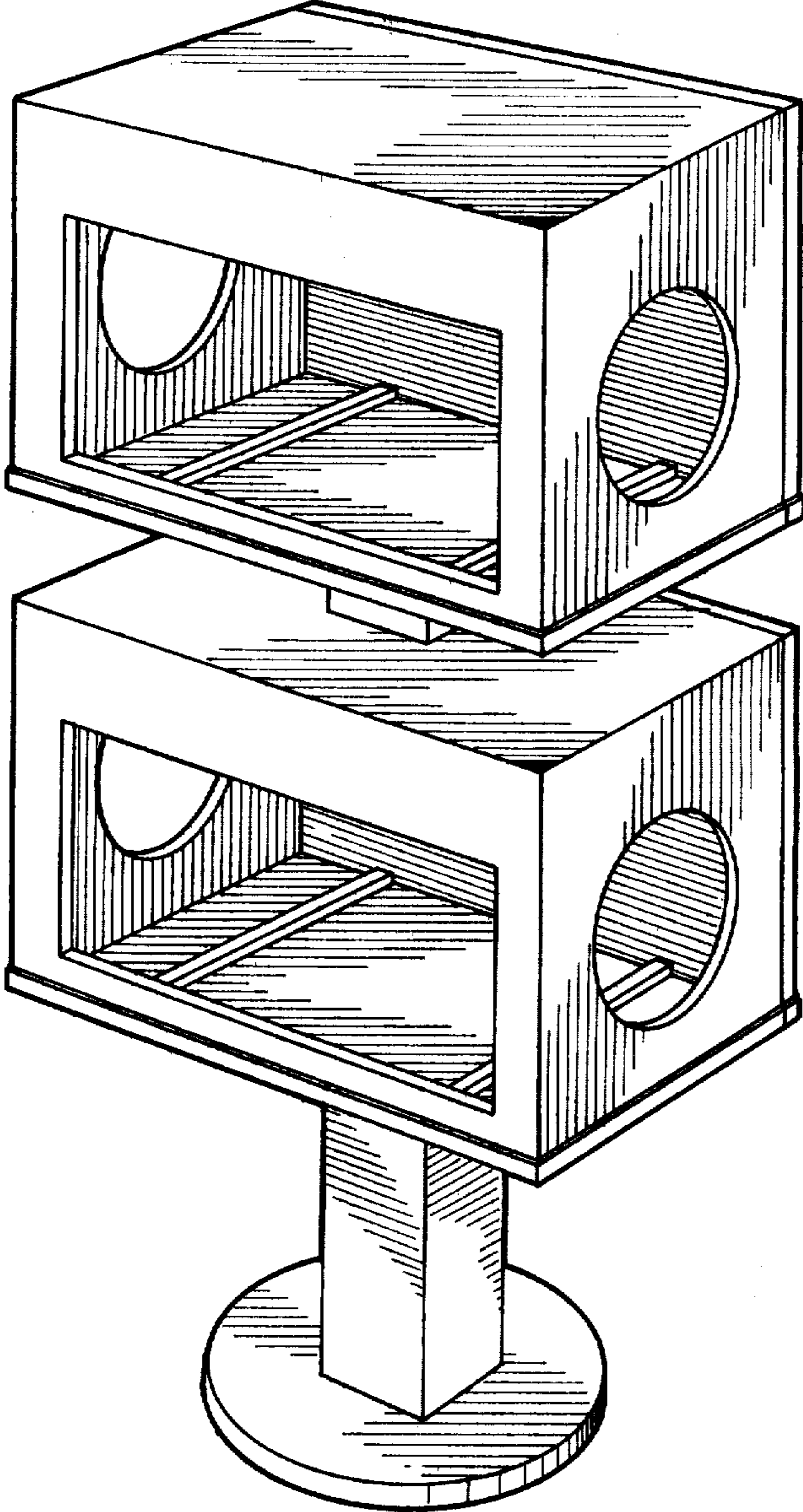


FIG. 4

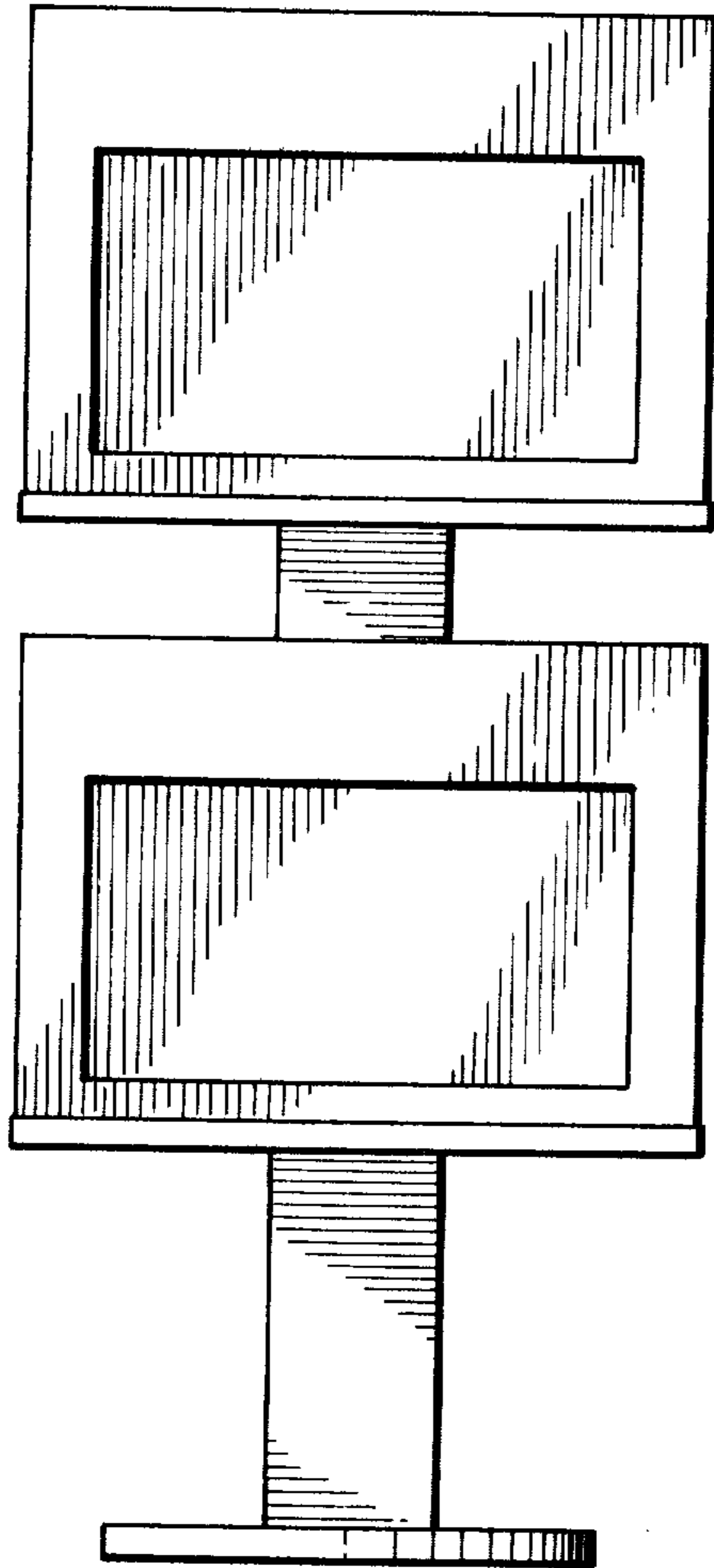


FIG. 5

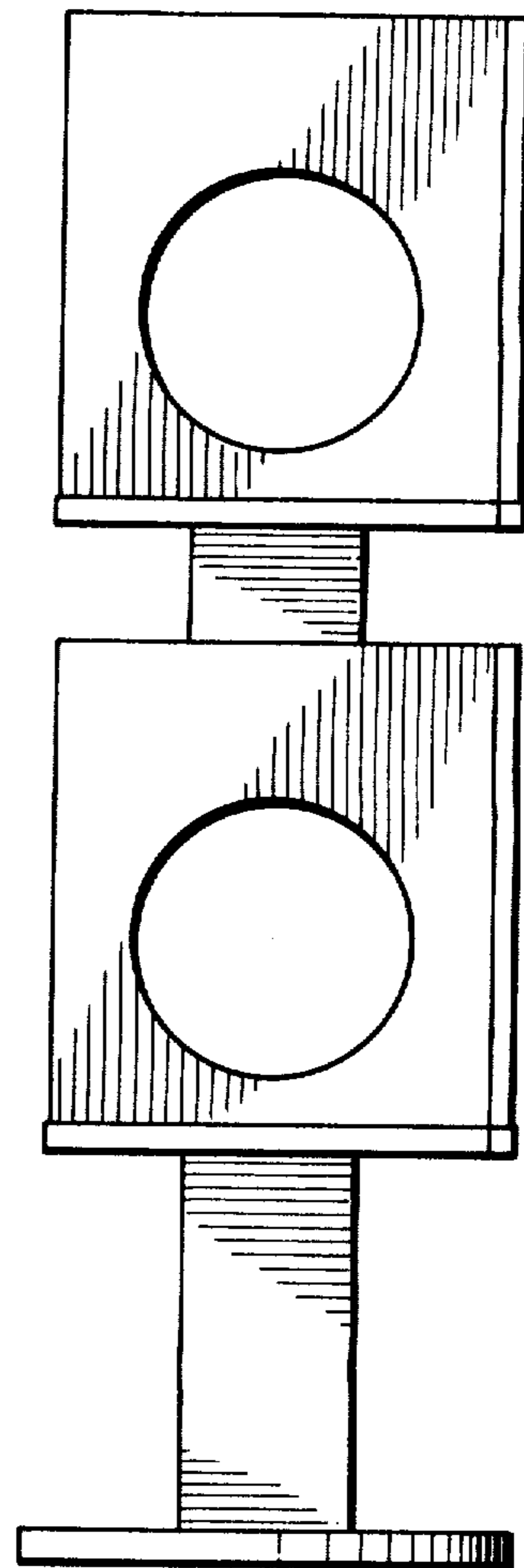


FIG. 6