

[54] COMBINED PIPE RACK AND BOOKEND

[76] Inventor: Hope E. Leppard, 13600 Sylvan St., Van Nuys, Calif. 91401

[**] Term: 14 Years

[21] Appl. No.: 171,426

[22] Filed: Jul. 23, 1980

[51] Int. Cl. D27-99; D6-06

[52] U.S. Cl. D27/06; D6/107

[58] Field of Search 131/257, 260; 211/60 R, 211/60 M, 65, 42; 248/44 R; D6/85, 92, 94, 106, 107, 125; D27/6

[56] References Cited

U.S. PATENT DOCUMENTS

- D. 119,207 2/1940 Sterne D27/6
- D. 217,823 6/1970 Anderson et al. D6/106

OTHER PUBLICATIONS

Duk-It Products Brochure, Pipe Rack #142.

Primary Examiner—Catherine E. Kemper
Attorney, Agent, or Firm—Lewis Anten

[57] CLAIM

The ornamental design for a combined pipe rack and bookend, shown and described.

DESCRIPTION

FIG. 1 is a top right perspective view of a combined pipe rack and bookend, showing my new design;
 FIG. 2 is a front elevational view thereof;
 FIG. 3 is a left side elevational view, the right side being a mirror image thereof;
 FIG. 4 is a rear elevational view thereof;
 FIG. 5 is a top plan view thereof; and
 FIG. 6 is a bottom plan view thereof.

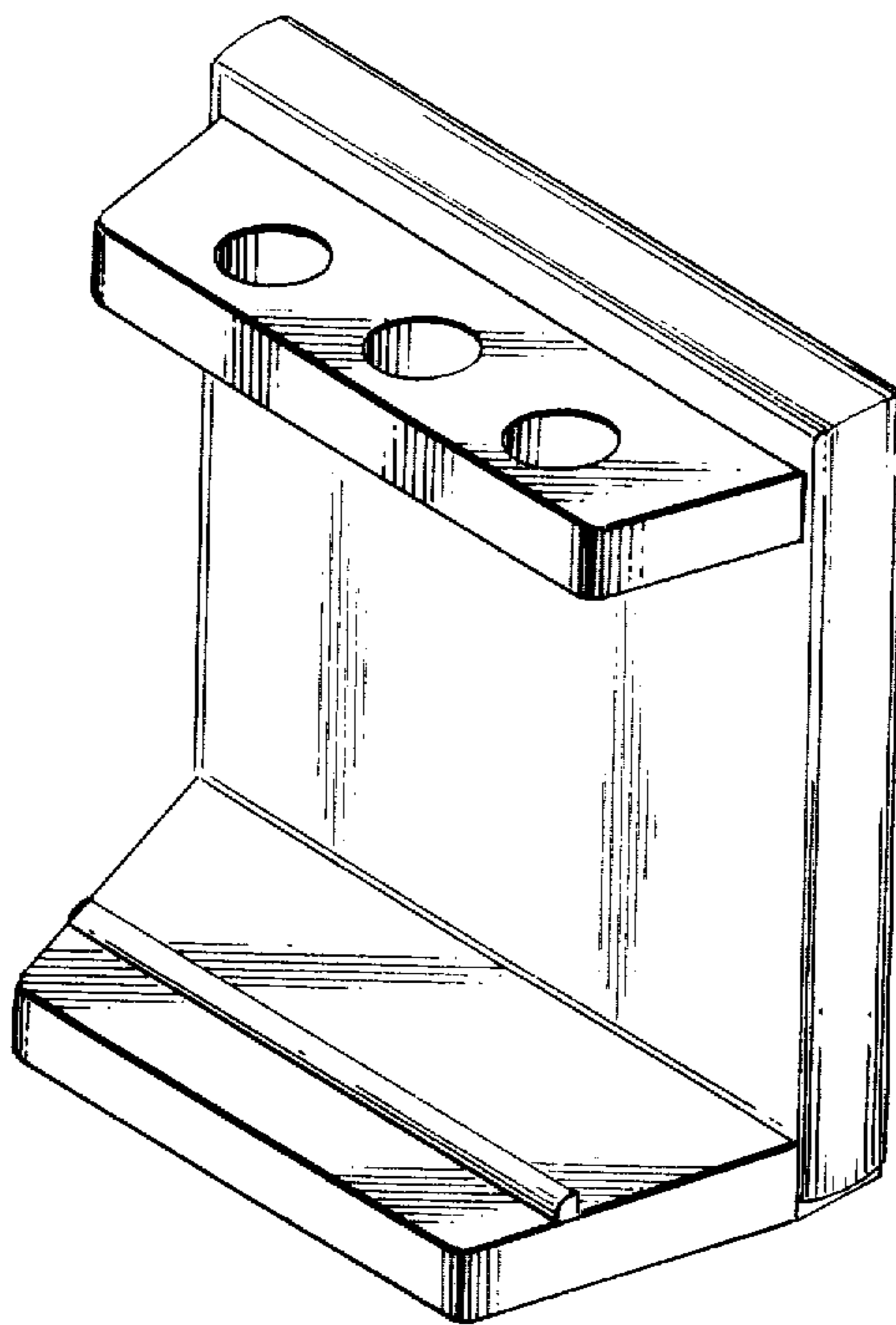


FIG. 1

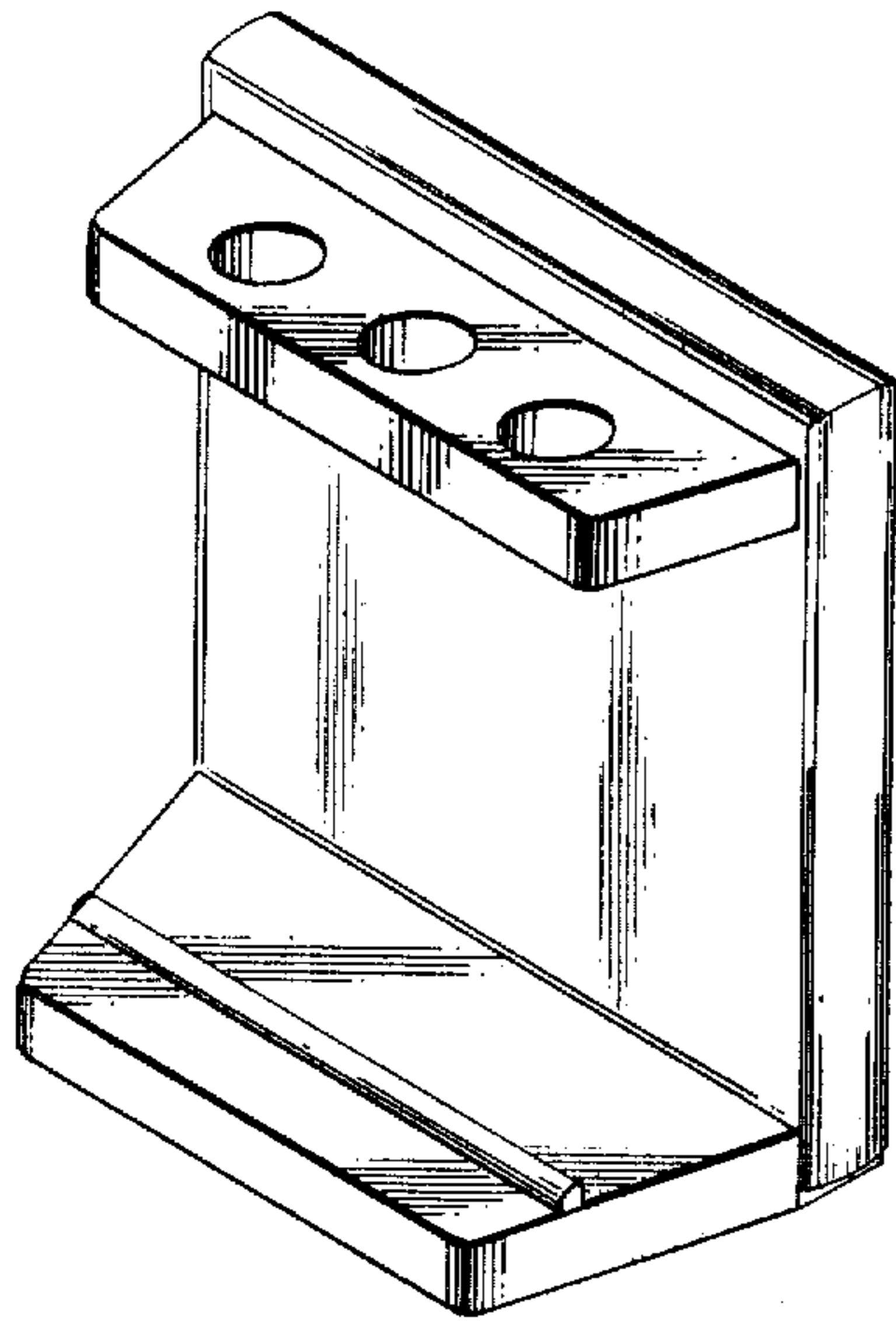


FIG. 2

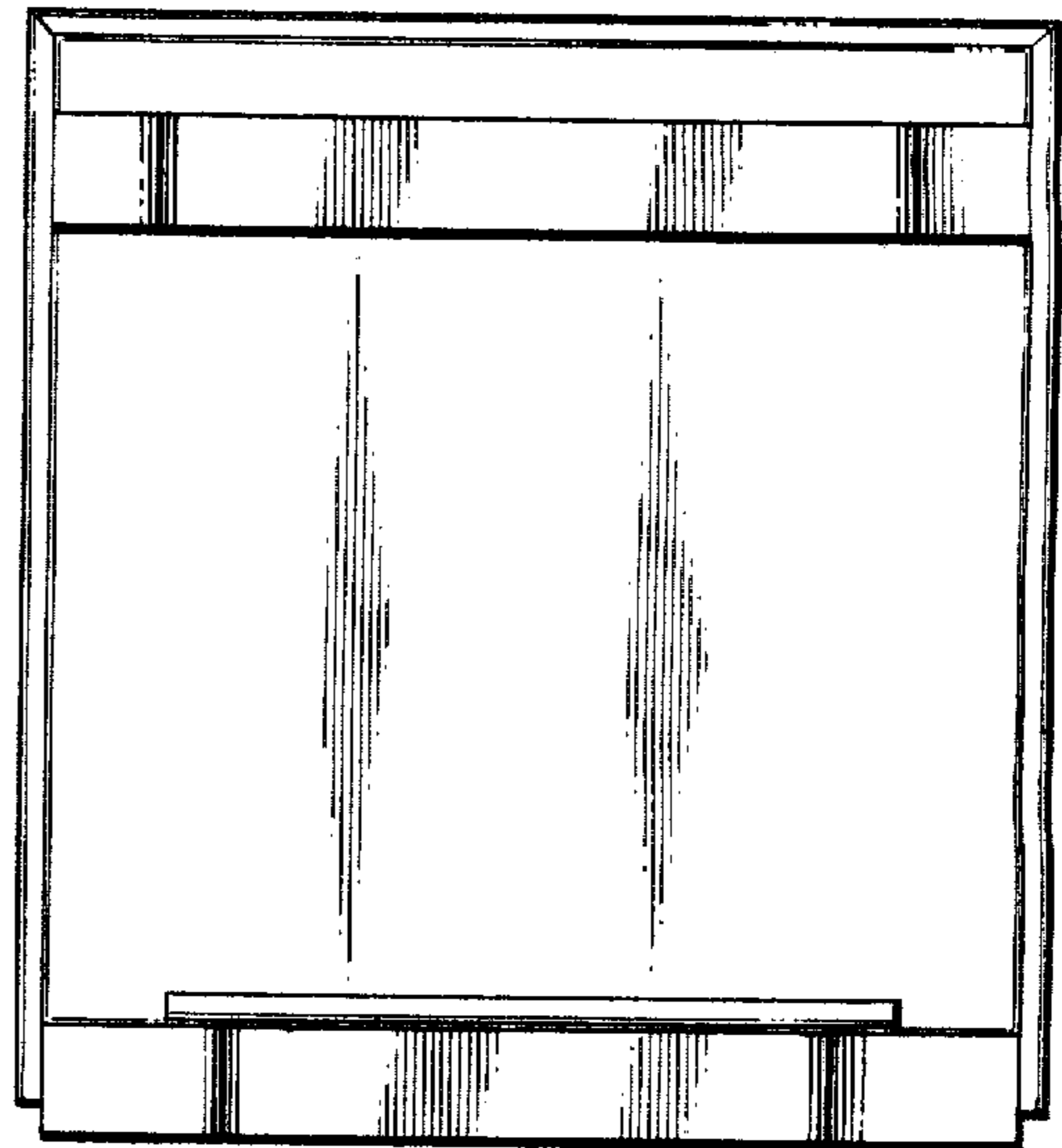


FIG. 3

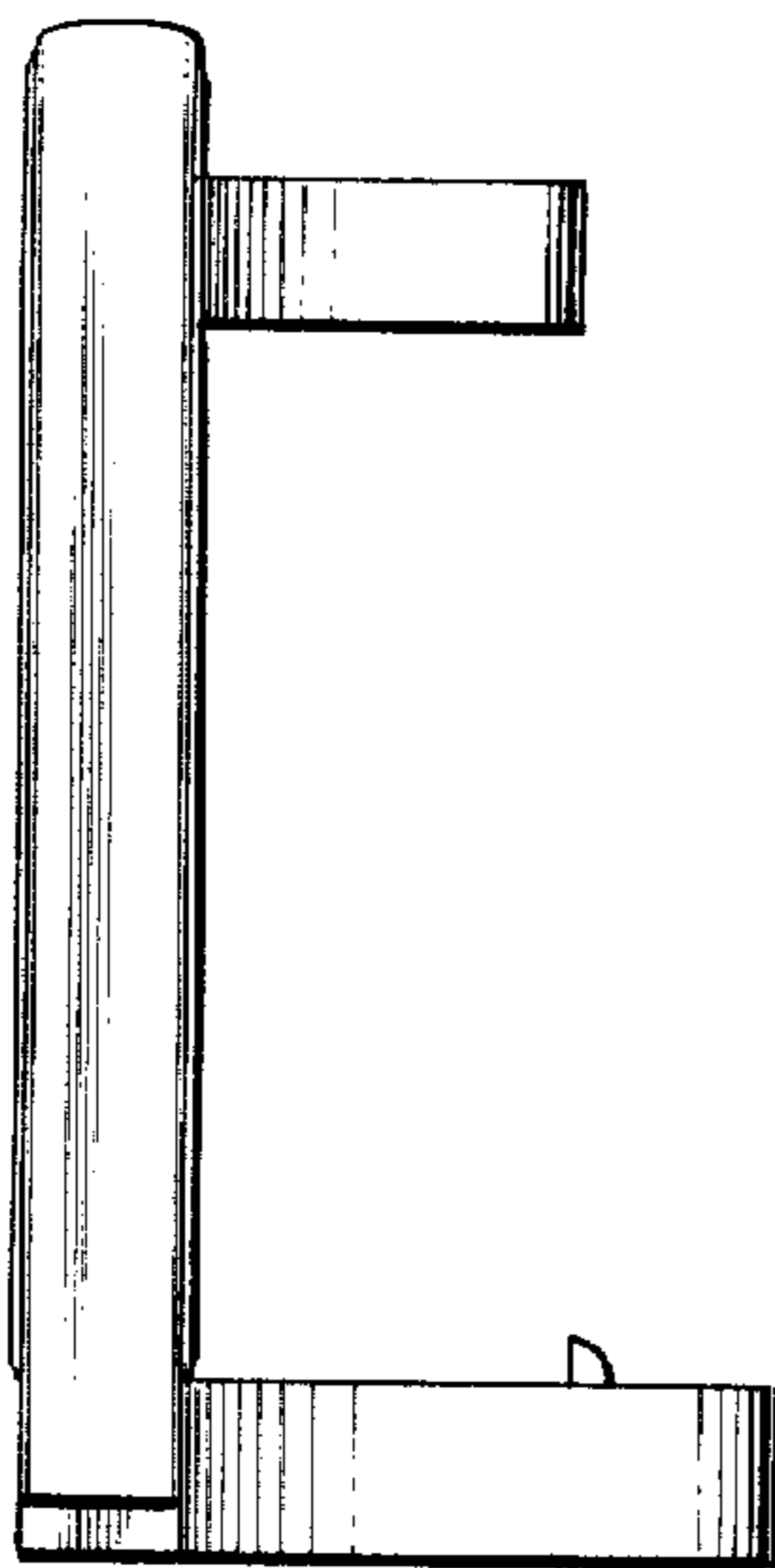


FIG. 4

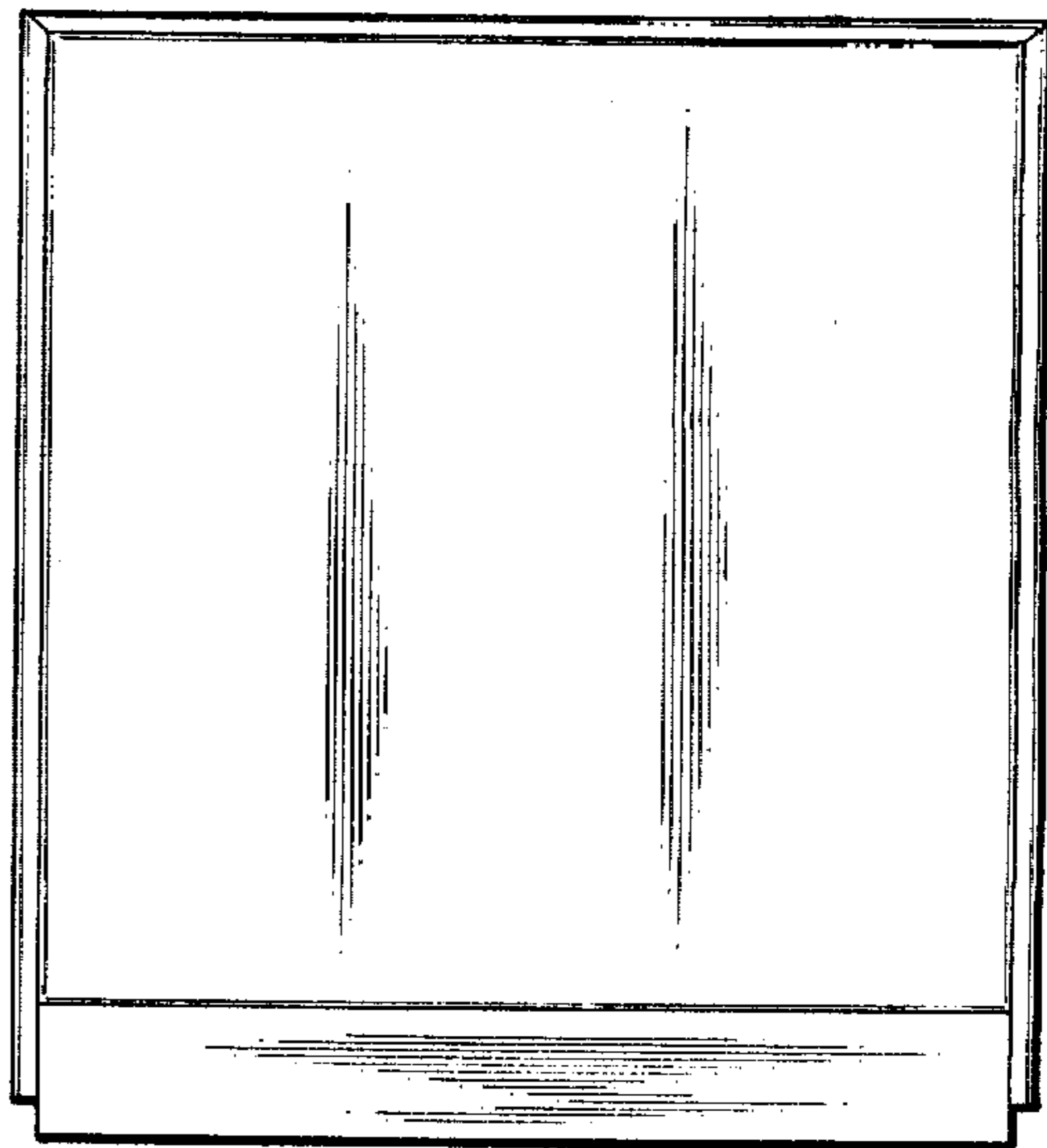


FIG. 5

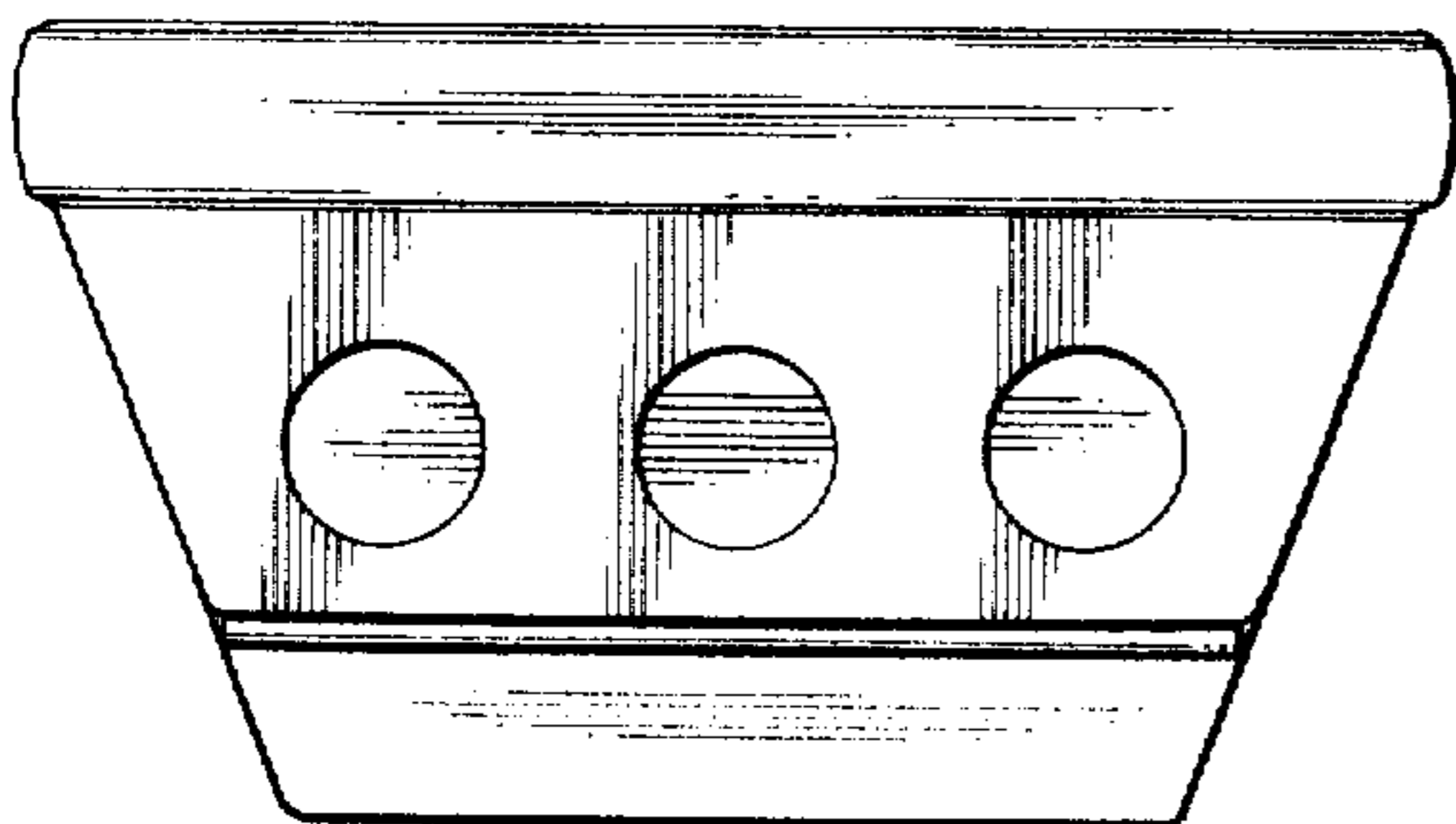


FIG. 6

