

[54] **ADJUSTABLE DESK LAMP**

[75] Inventor: **Samuel Lebowitz**, Brooklyn, N.Y.

[73] Assignee: **Ketcham & McDougall, Inc.**,
Roseland, N.J.

[**] Term: **14 Years**

[21] Appl. No.: **137,499**

[22] Filed: **Apr. 4, 1980**

[51] Int. Cl. **D26—05**

[52] U.S. Cl. **D26/65**

[58] Field of Search **D26/60, 61, 63, 64,**
D26/65, 93, 118, 125; 362/410, 411, 412, 413,
414, 418, 427, 395, 806

[56] **References Cited**

U.S. PATENT DOCUMENTS

D. 176,549 1/1956 Mugnai D26/65
D. 223,504 4/1972 Ishikawa D26/109

OTHER PUBLICATIONS

Abatare, 12/78, p. 68, Carlo Moretti Desk Lamp.

Primary Examiner—Susan J. Lucas

Attorney, Agent, or Firm—Darby & Darby

[57] **CLAIM**

The ornamental design for an adjustable desk lamp, as shown and described.

DESCRIPTION

FIG. 1 is a perspective view of an adjustable desk lamp showing my new design;
FIG. 2 is a side elevational view thereof on an enlarged scale;
FIG. 3 is a front elevational view thereof on an enlarged scale;
FIG. 4 is a rear elevational view thereof on an enlarged scale;
FIG. 5 is a top plan view thereof on an enlarged scale;
FIG. 6 is a bottom plan view thereof on an enlarged scale;
FIG. 7 is a perspective view of a second embodiment on an enlarged scale of an adjustable desk lamp showing my new design;
FIG. 8 is a side elevational view of the second embodiment on an enlarged scale;
FIG. 9 is a front elevational view of the second embodiment on an enlarged scale;
FIG. 10 is a rear elevational view of the second embodiment on an enlarged scale;
FIG. 11 is a top plan view of the second embodiment on an enlarged scale; and
FIG. 12 is a bottom plan view of the second embodiment on an enlarged scale.

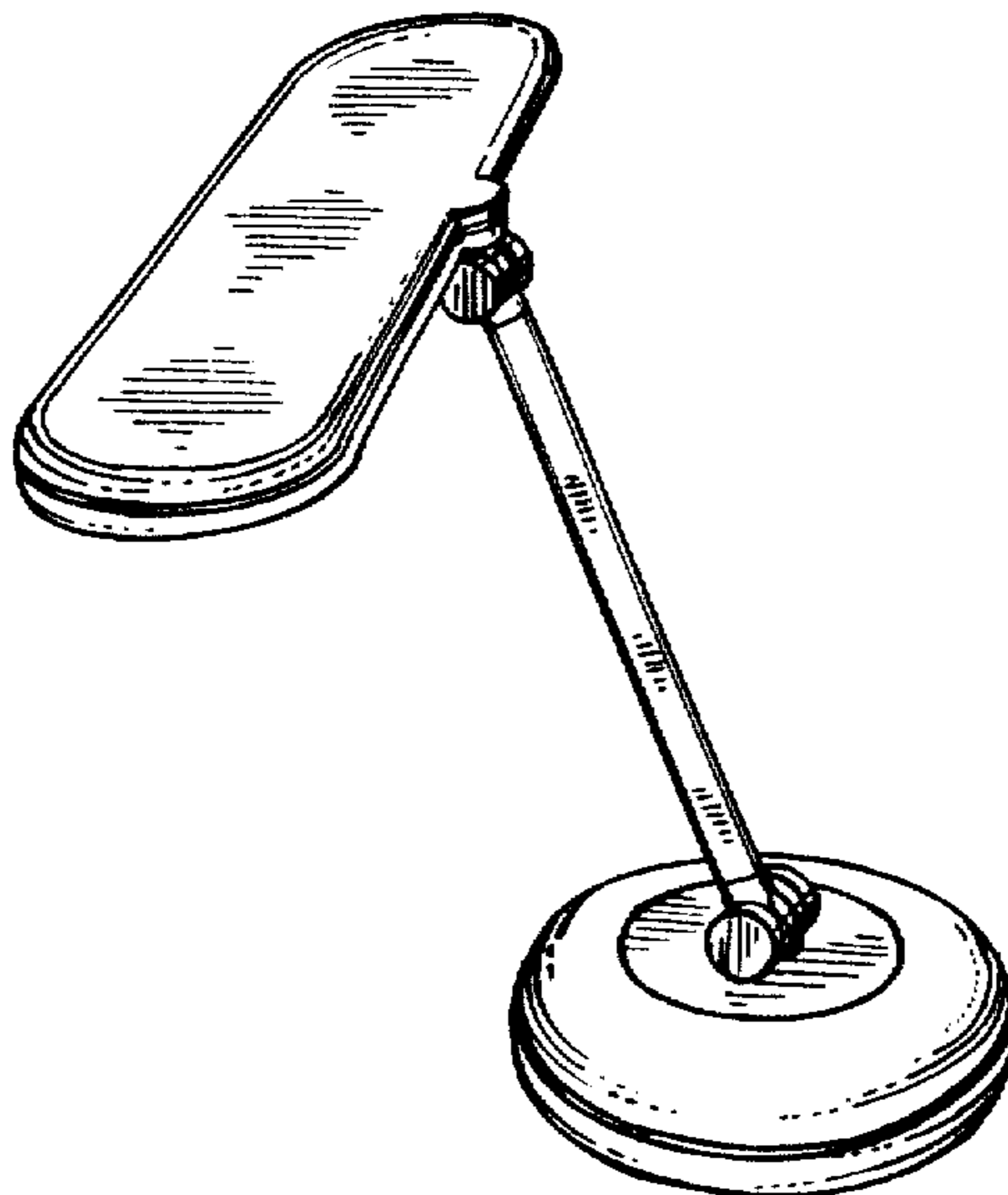


FIG. 1

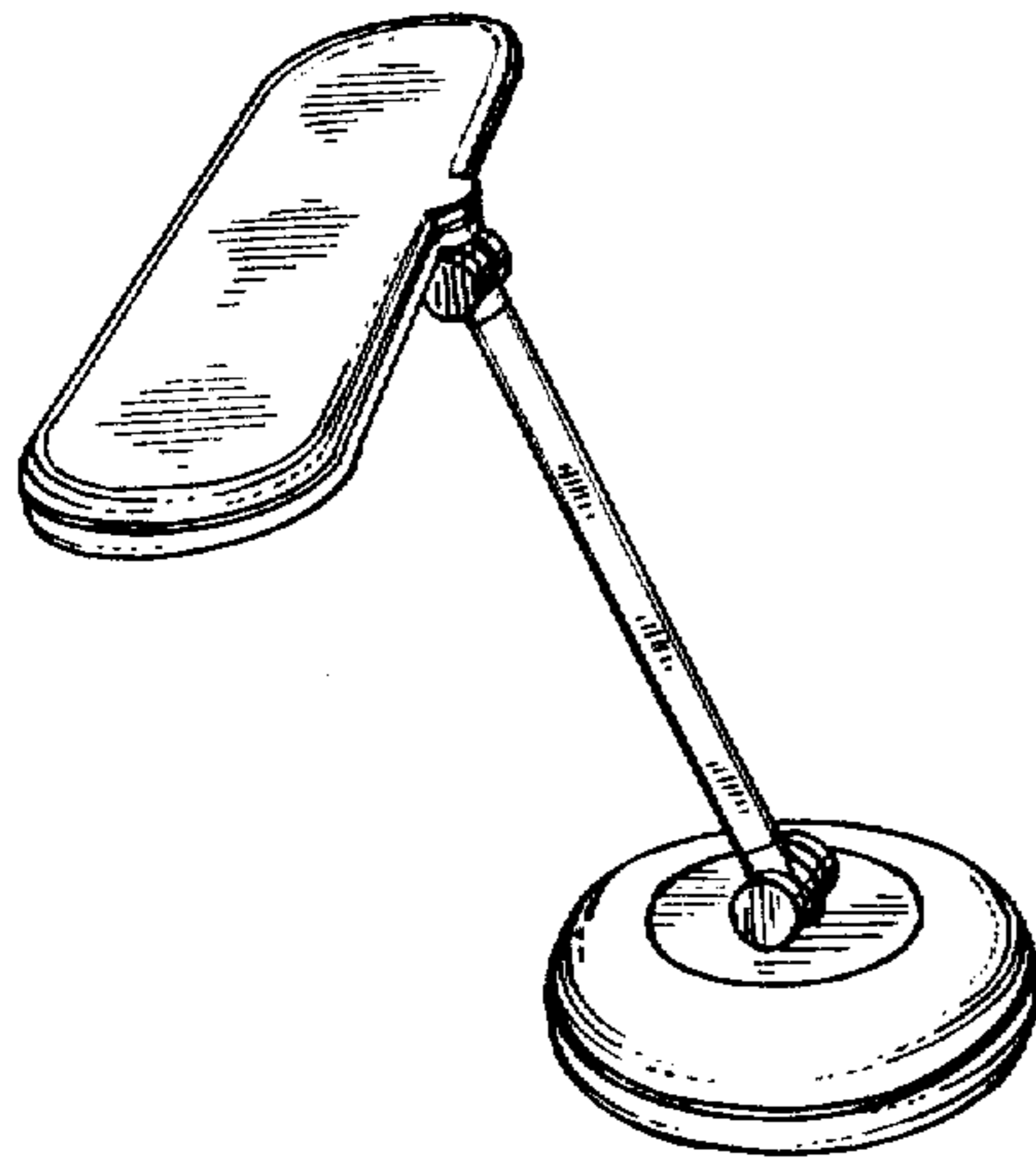


FIG. 2

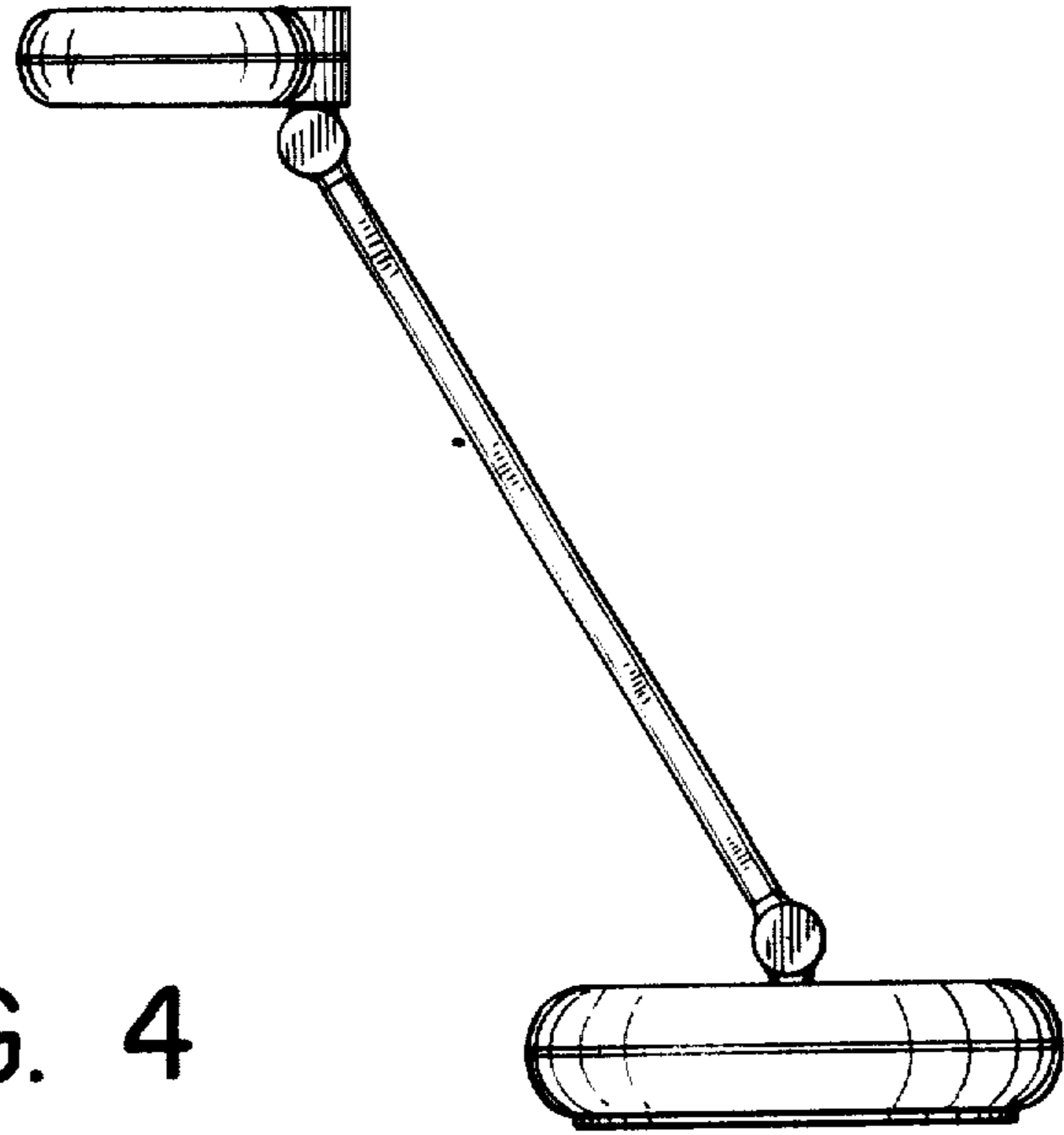


FIG. 4

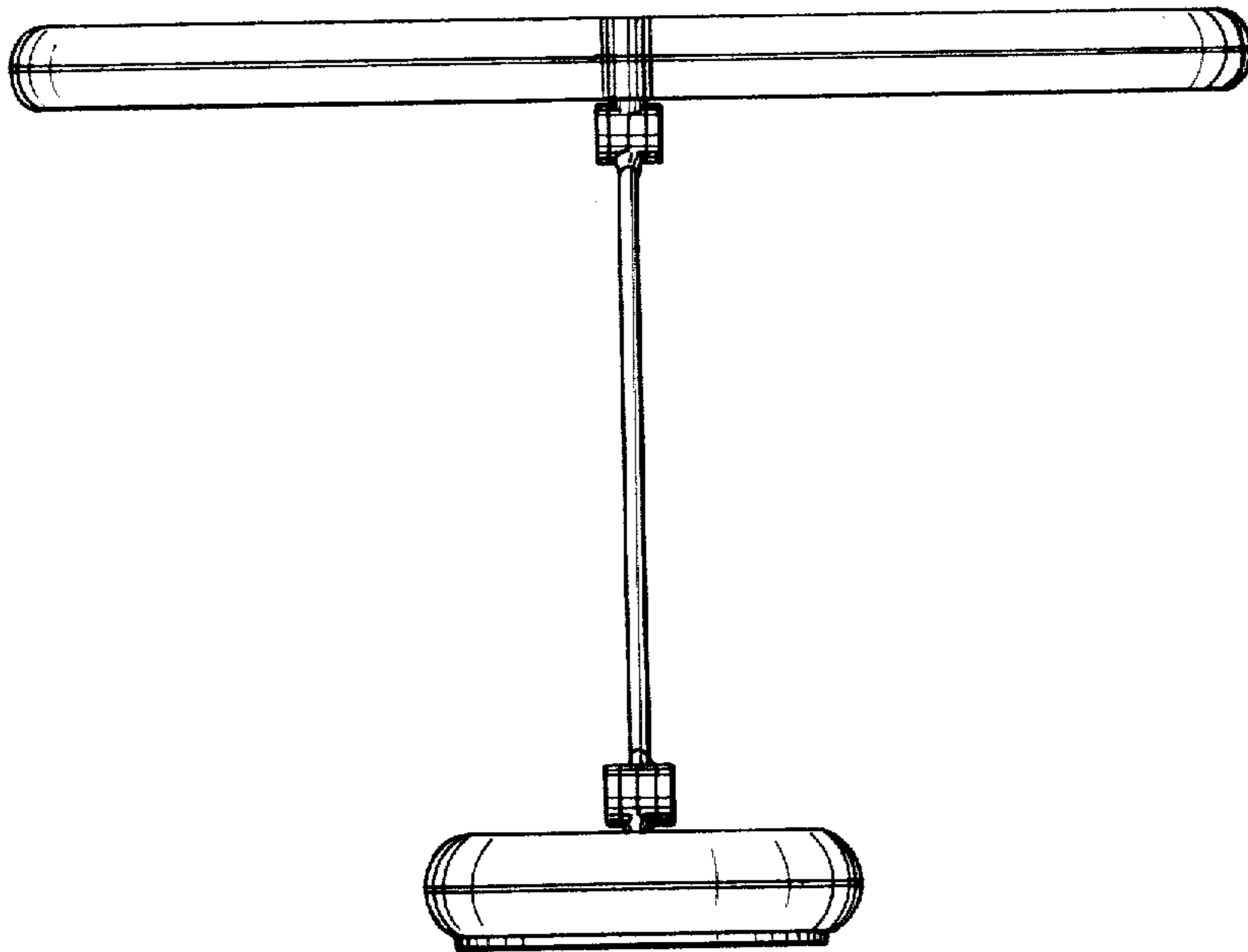


FIG. 3

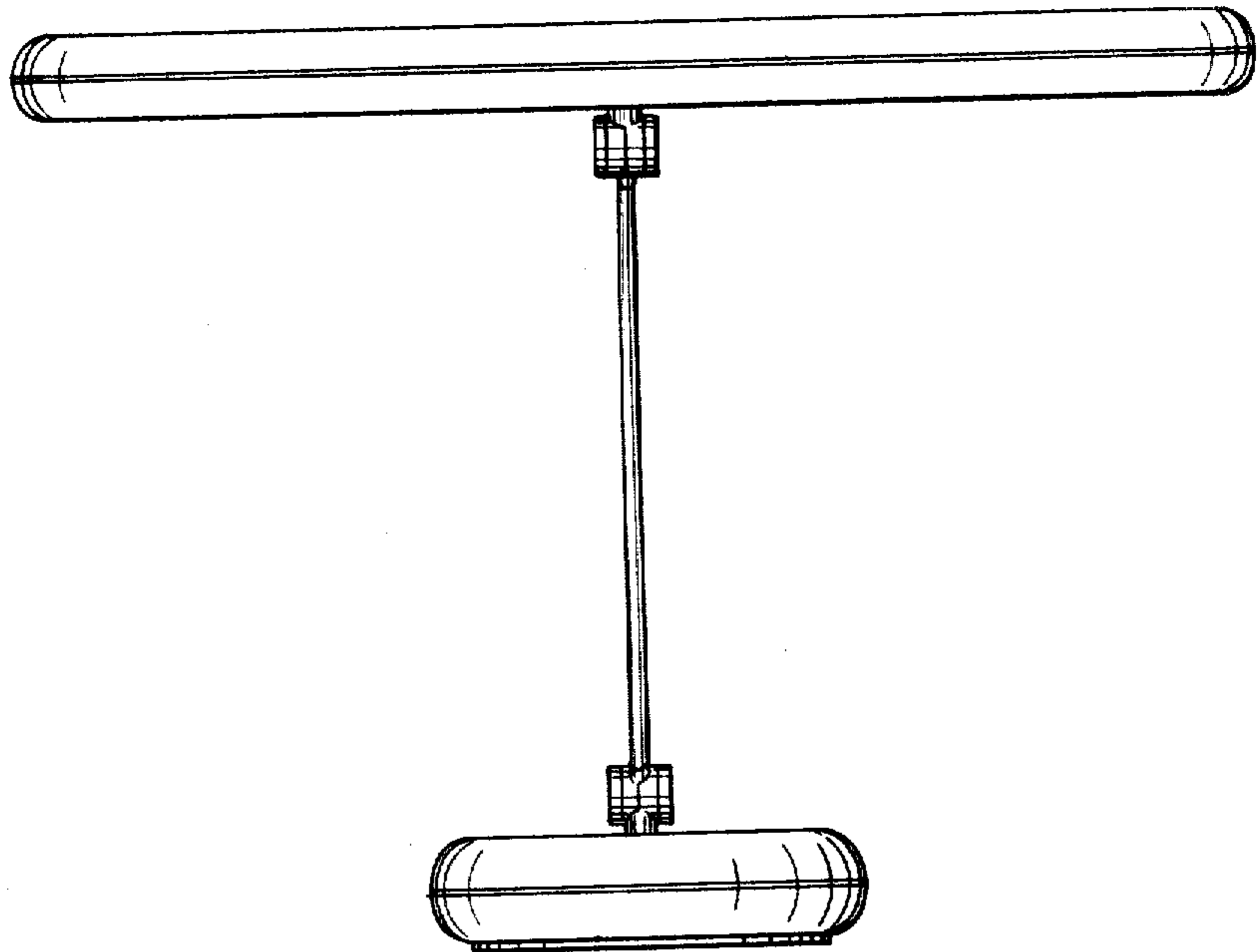


FIG. 5

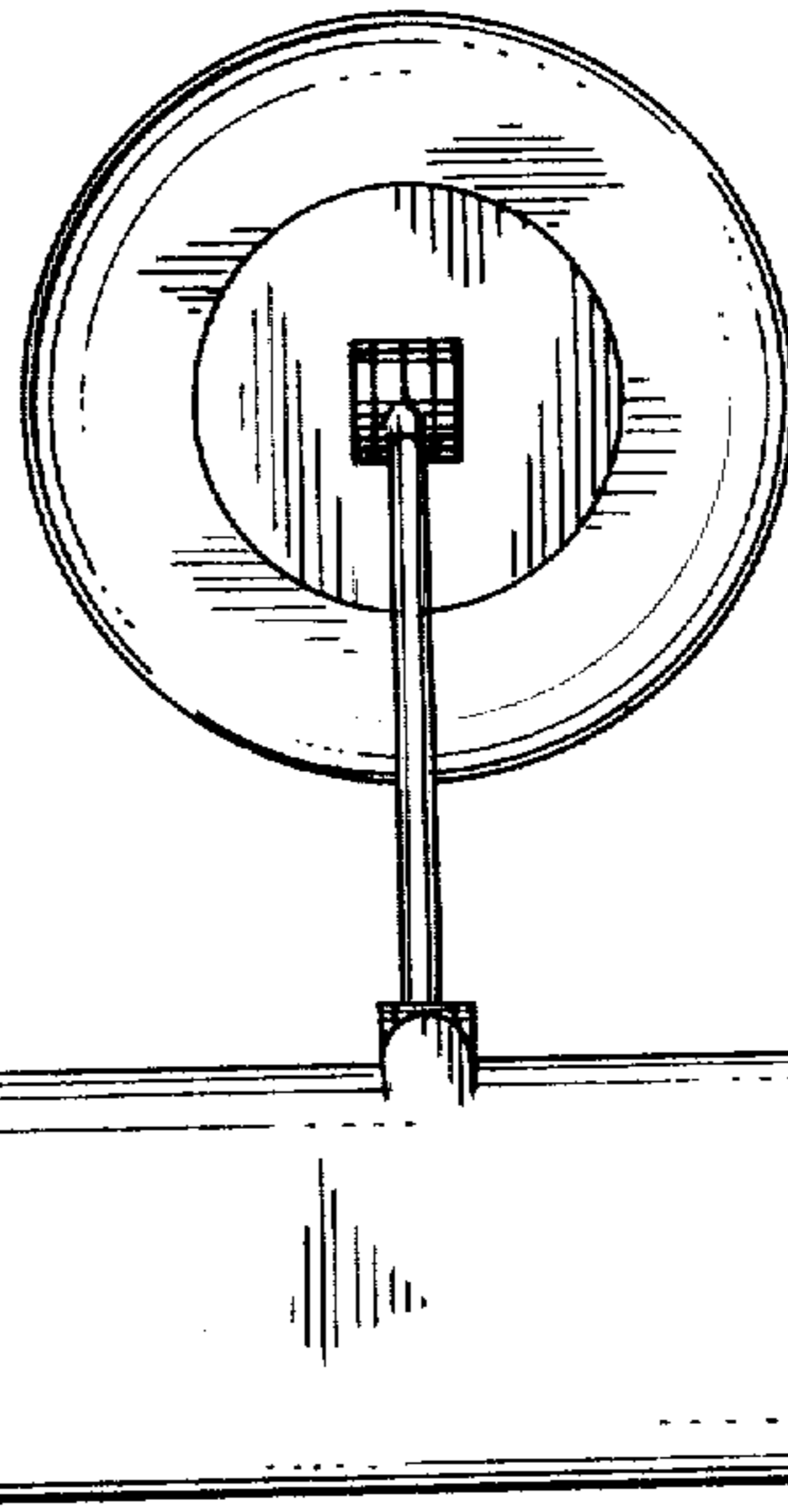


FIG. 6

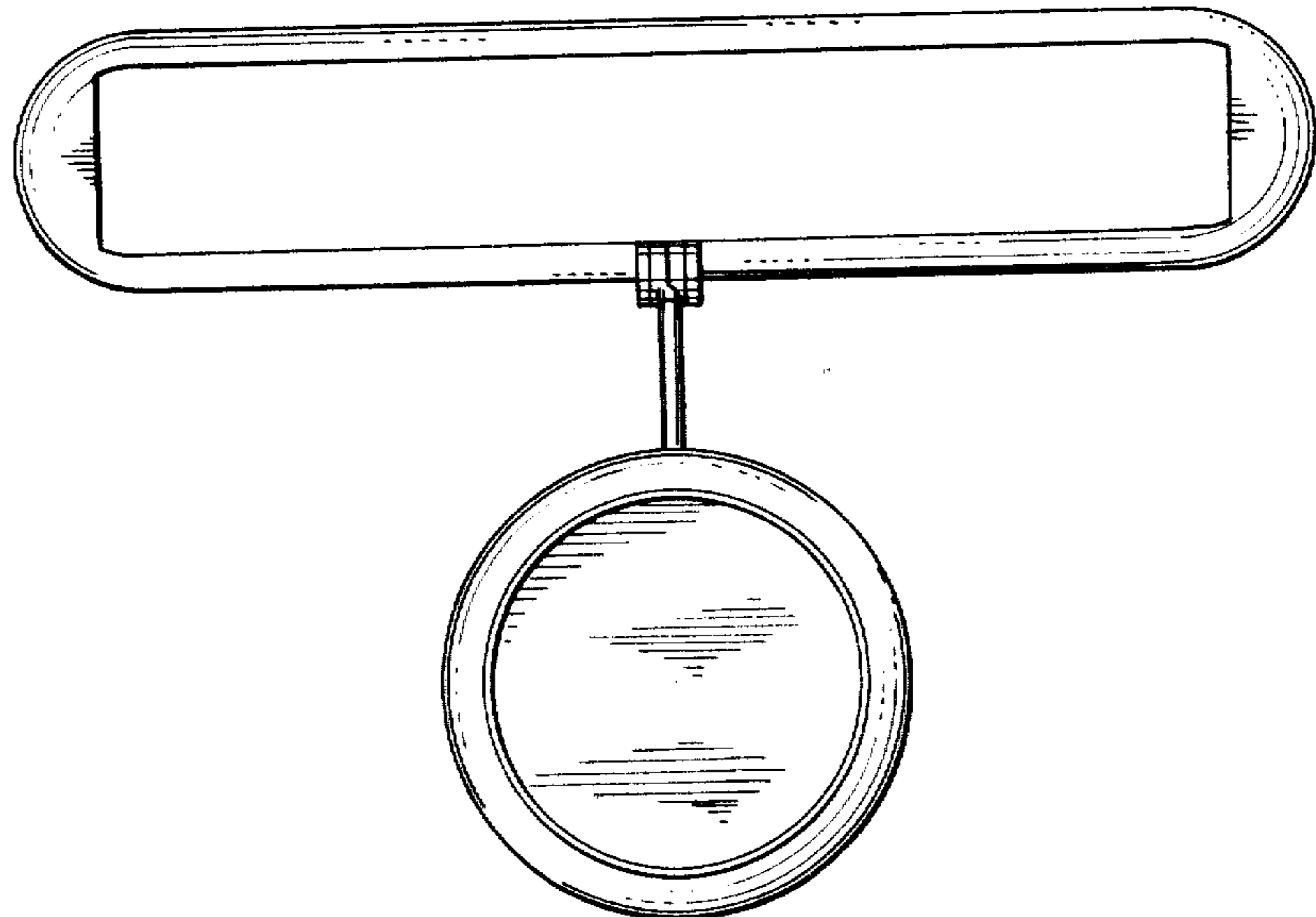


FIG. 7

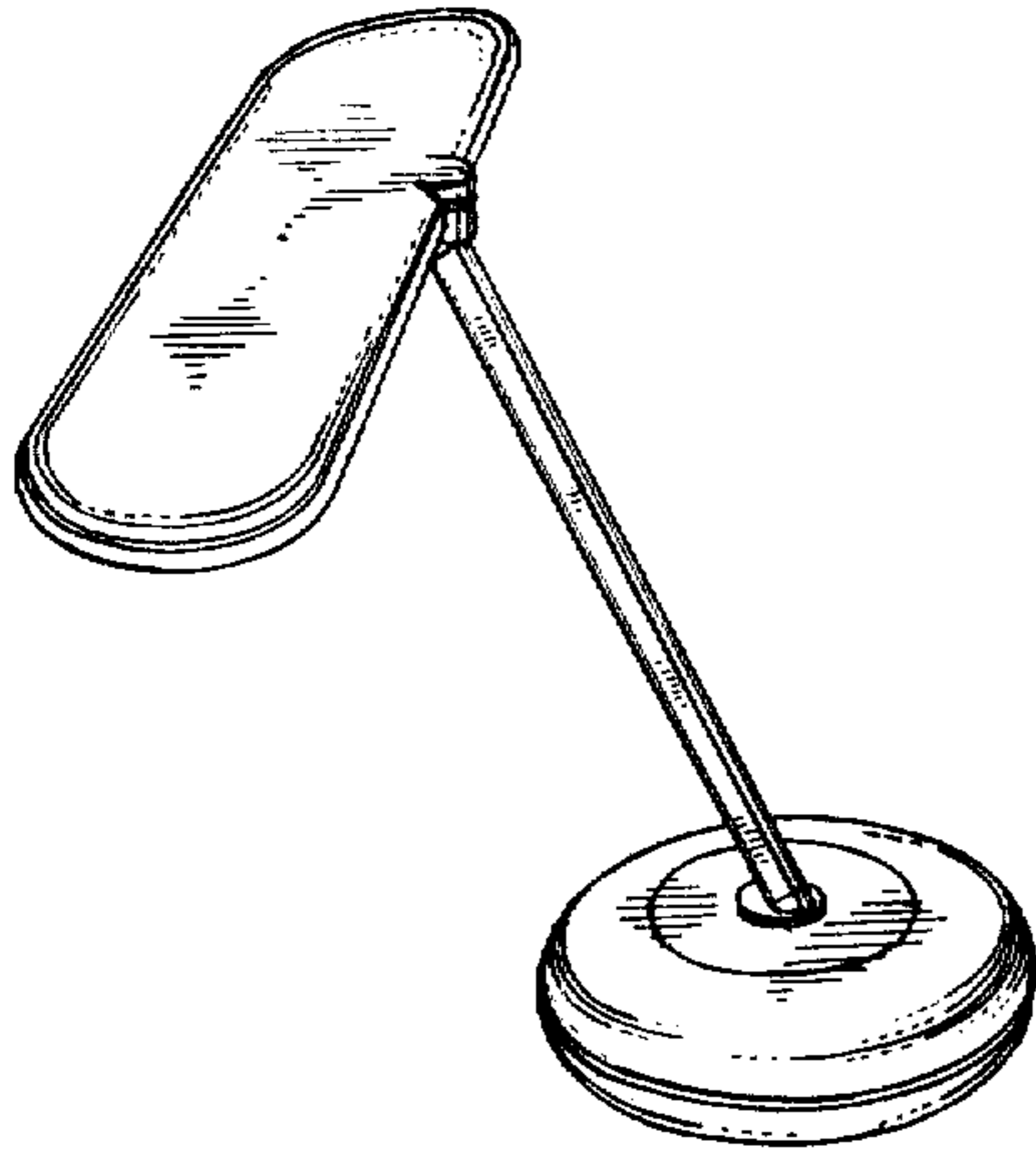


FIG. 8

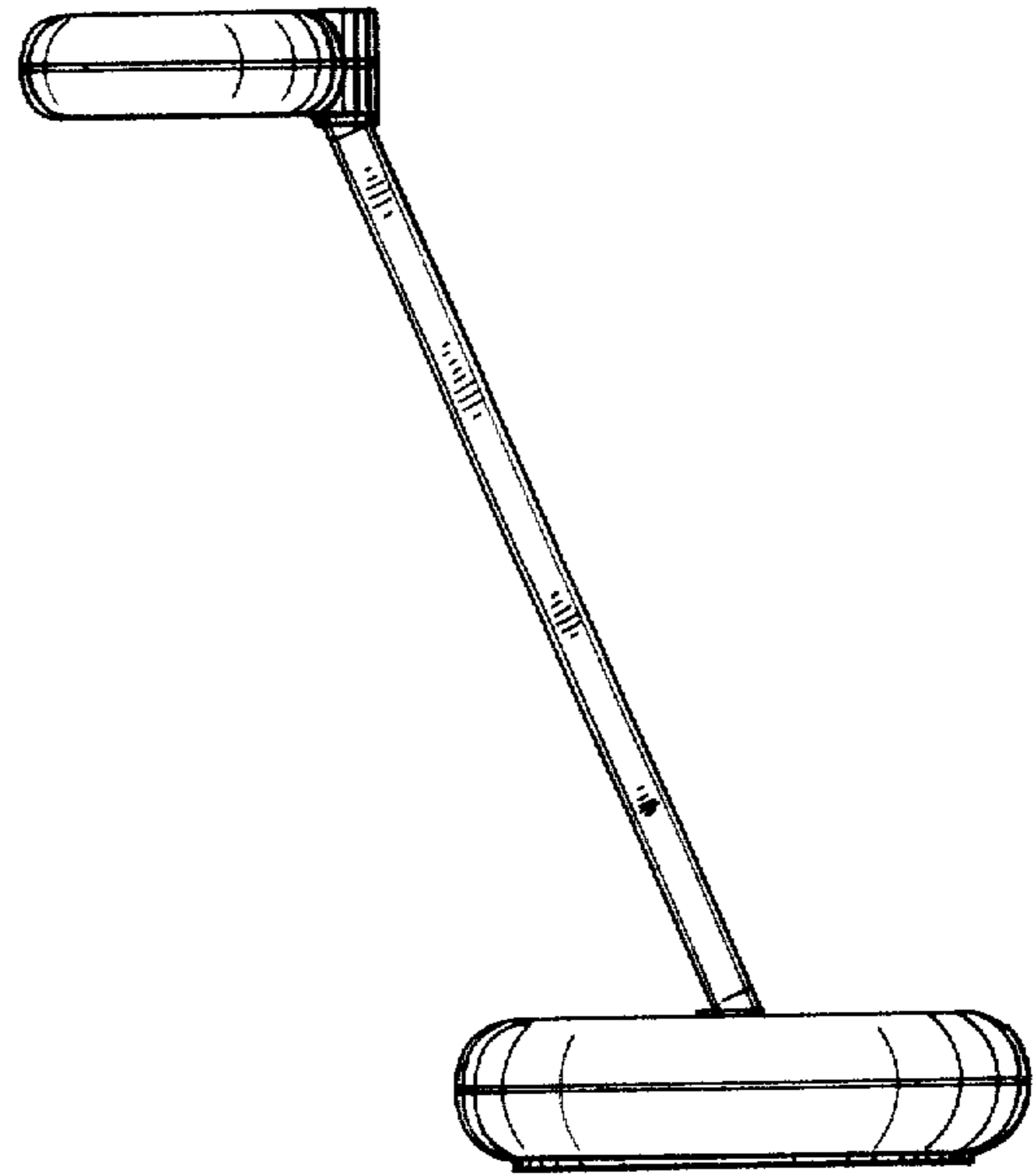


FIG. 10

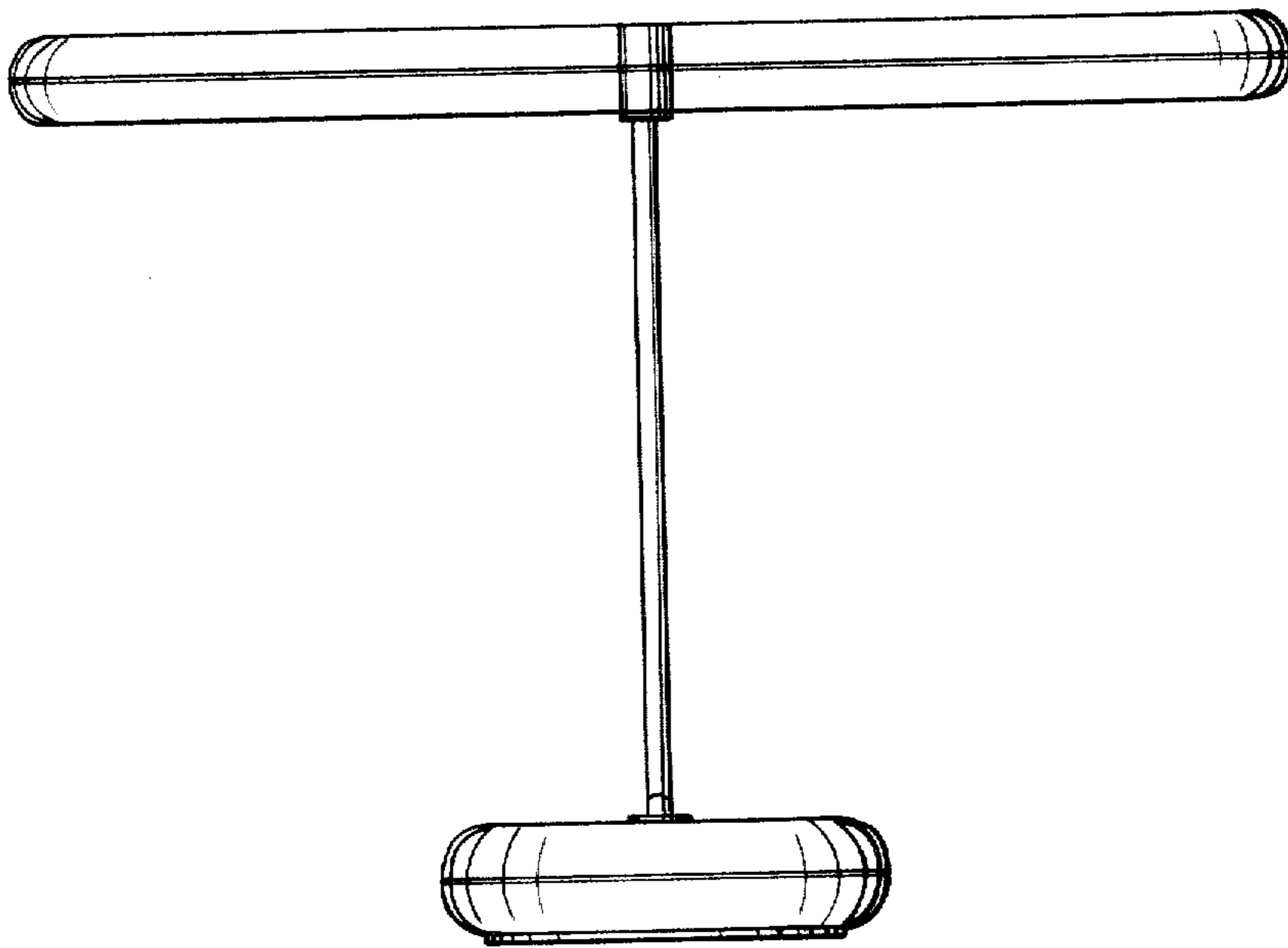


FIG. 9

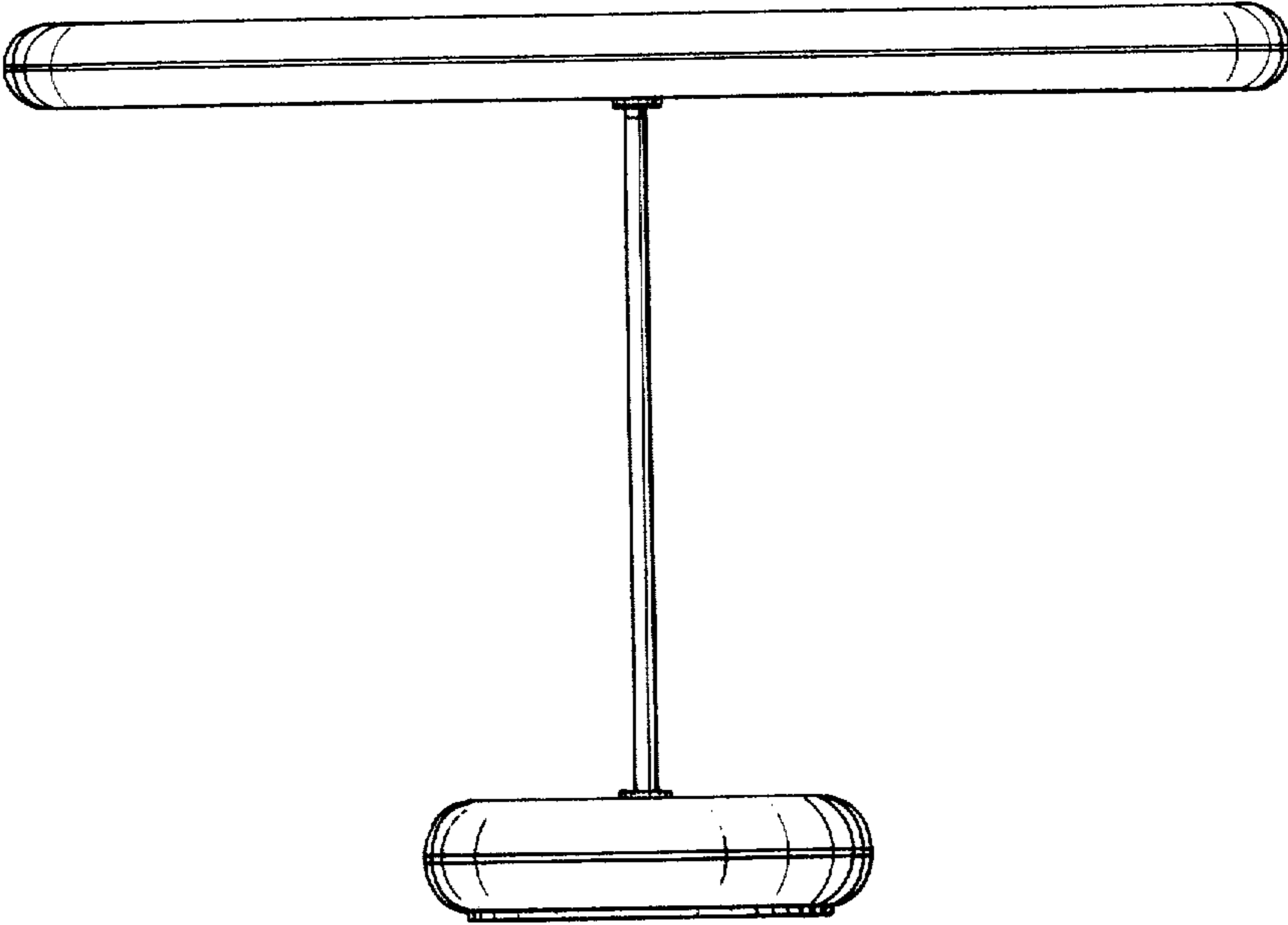


FIG. 11

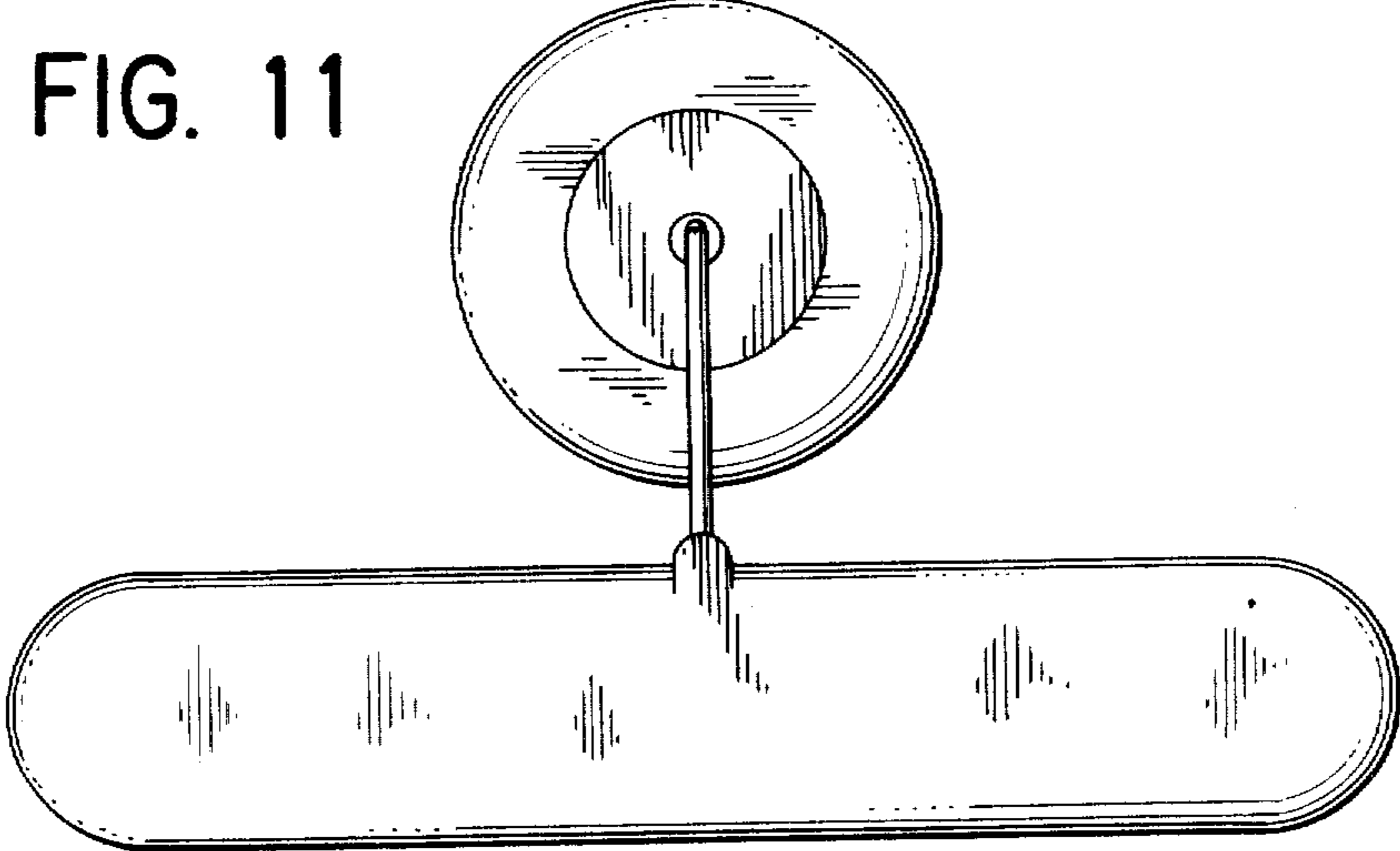


FIG. 12

