

[54] TORCH

[75] Inventor: Kung C. Hung, Tsuen Wan, Hong Kong

[73] Assignee: Freezinhot Bottle Company Limited, Kowloon, Hong Kong

[\*\*] Term: 14 Years

[21] Appl. No.: 231,060

[22] Filed: Feb. 3, 1981

[30] Foreign Application Priority Data

Nov. 12, 1980 [GB] United Kingdom ..... 997522

[51] Int. Cl. .... D26-02

[52] U.S. Cl. .... D26/49

[58] Field of Search ..... D26/37-50; 362/157, 158, 200-208, 184, 185, 186, 189, 190, 191, 194, 197

[56]

References Cited

U.S. PATENT DOCUMENTS

D. 231,560 4/1974 Keller ..... D26/49  
3,890,498 6/1975 Toth, Sr. .... 362/205

Primary Examiner—Susan J. Lucas  
Attorney, Agent, or Firm—Oblon, Fisher, Spivak, McClelland & Maier

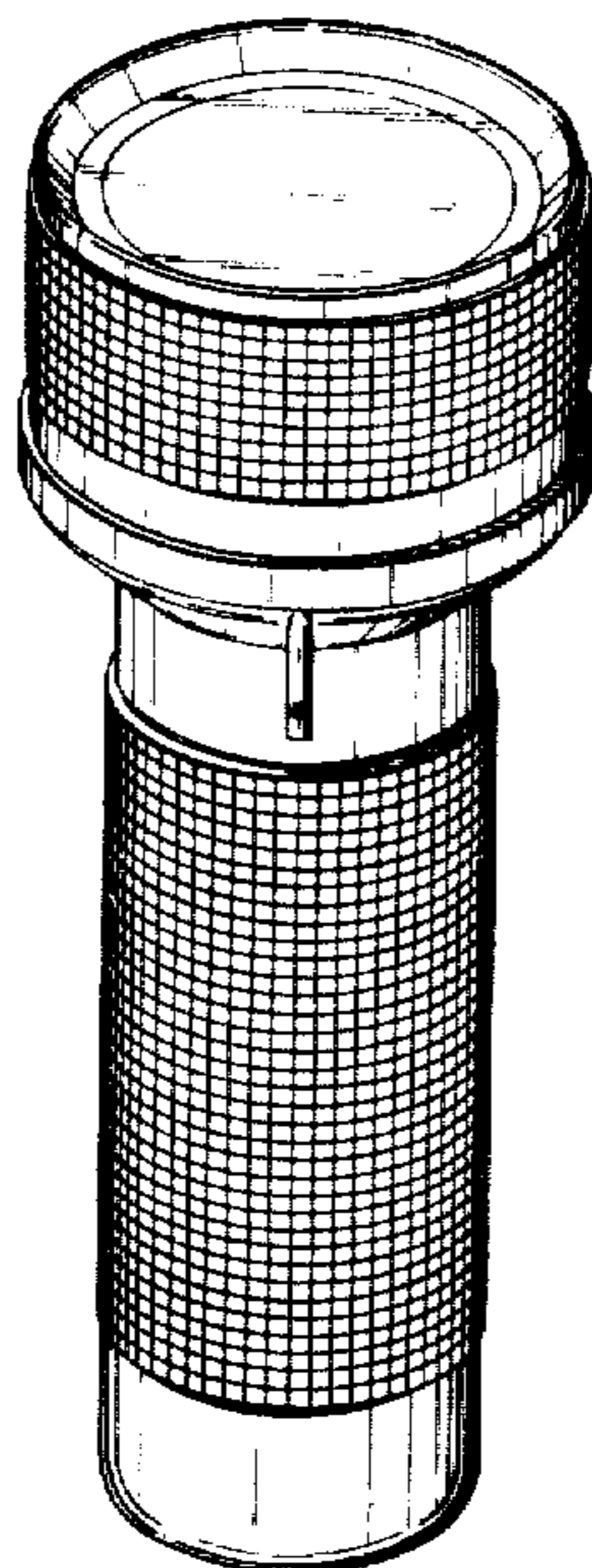
[57]

CLAIM

The ornamental design for a torch, as shown.

DESCRIPTION

FIG. 1 is a front view of a torch showing my new design;  
FIG. 2 is a side view of the torch;  
FIG. 3 is a top plan view of the torch;  
FIG. 4 is an underneath view of the torch; and  
FIG. 5 is a perspective view of the torch.



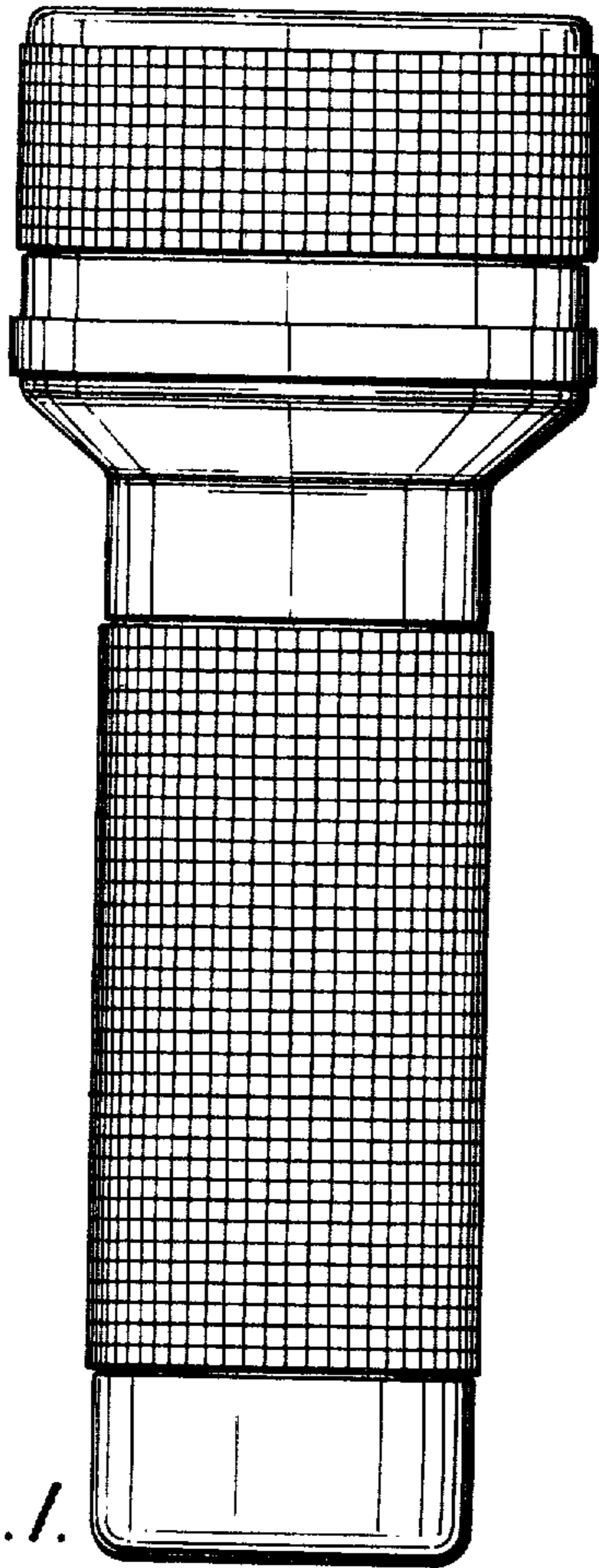


FIG. 1.

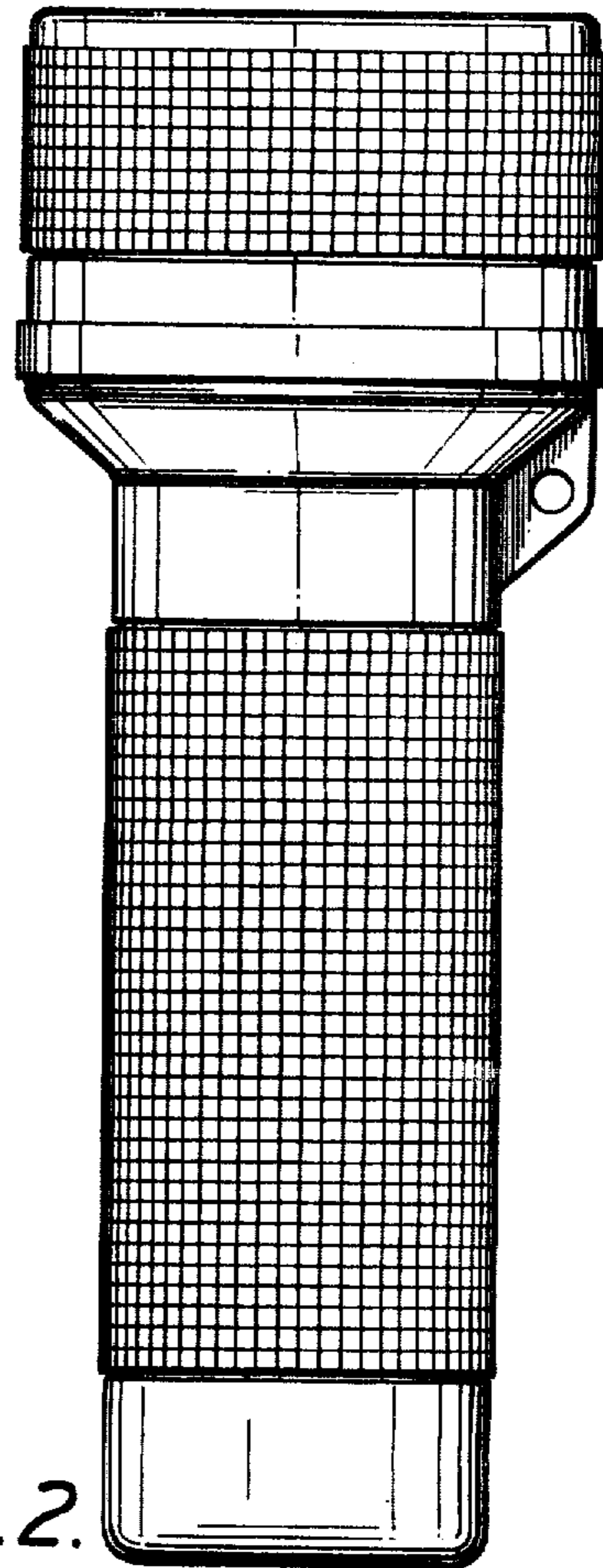


FIG. 2.

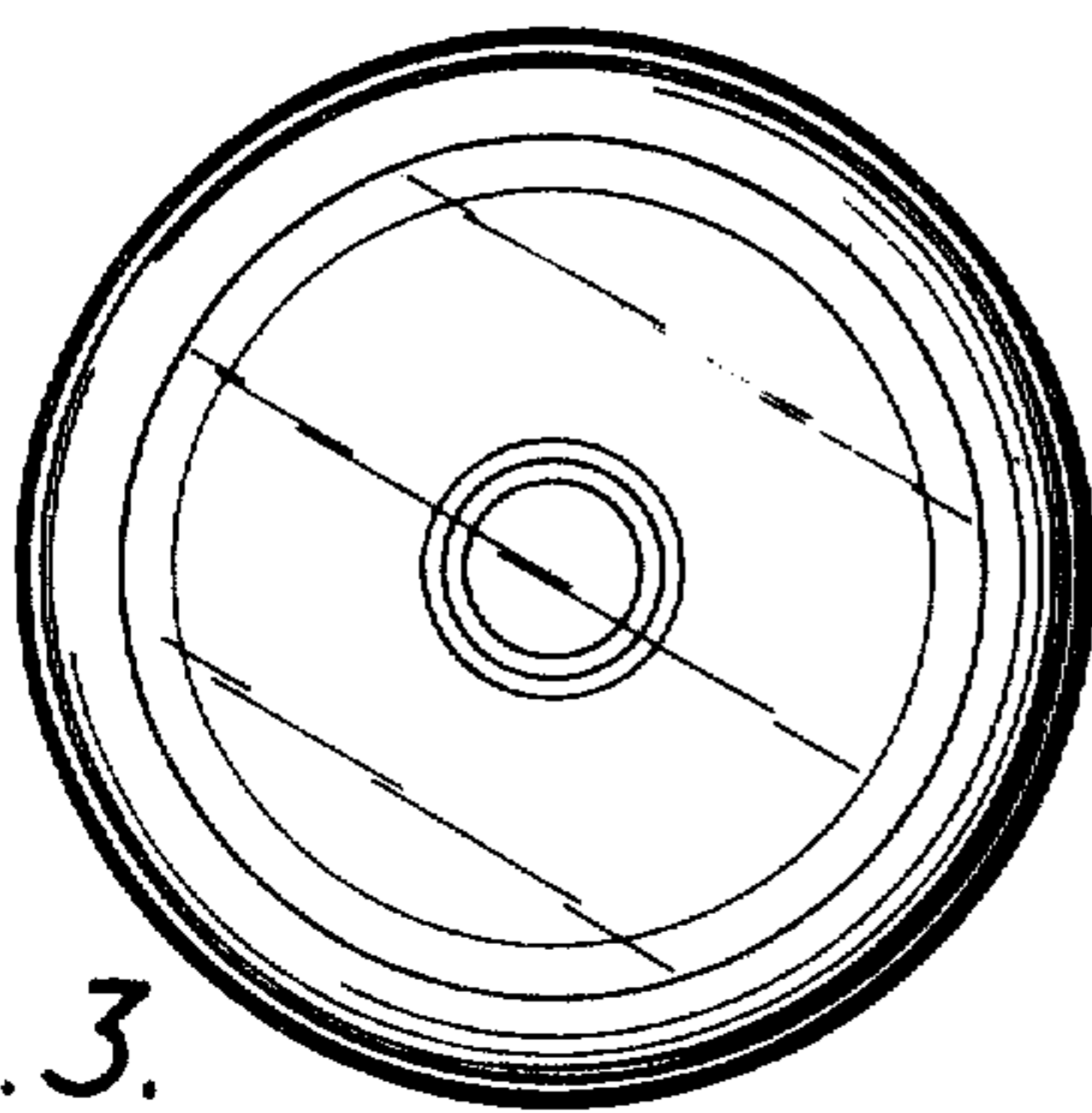


FIG. 3.

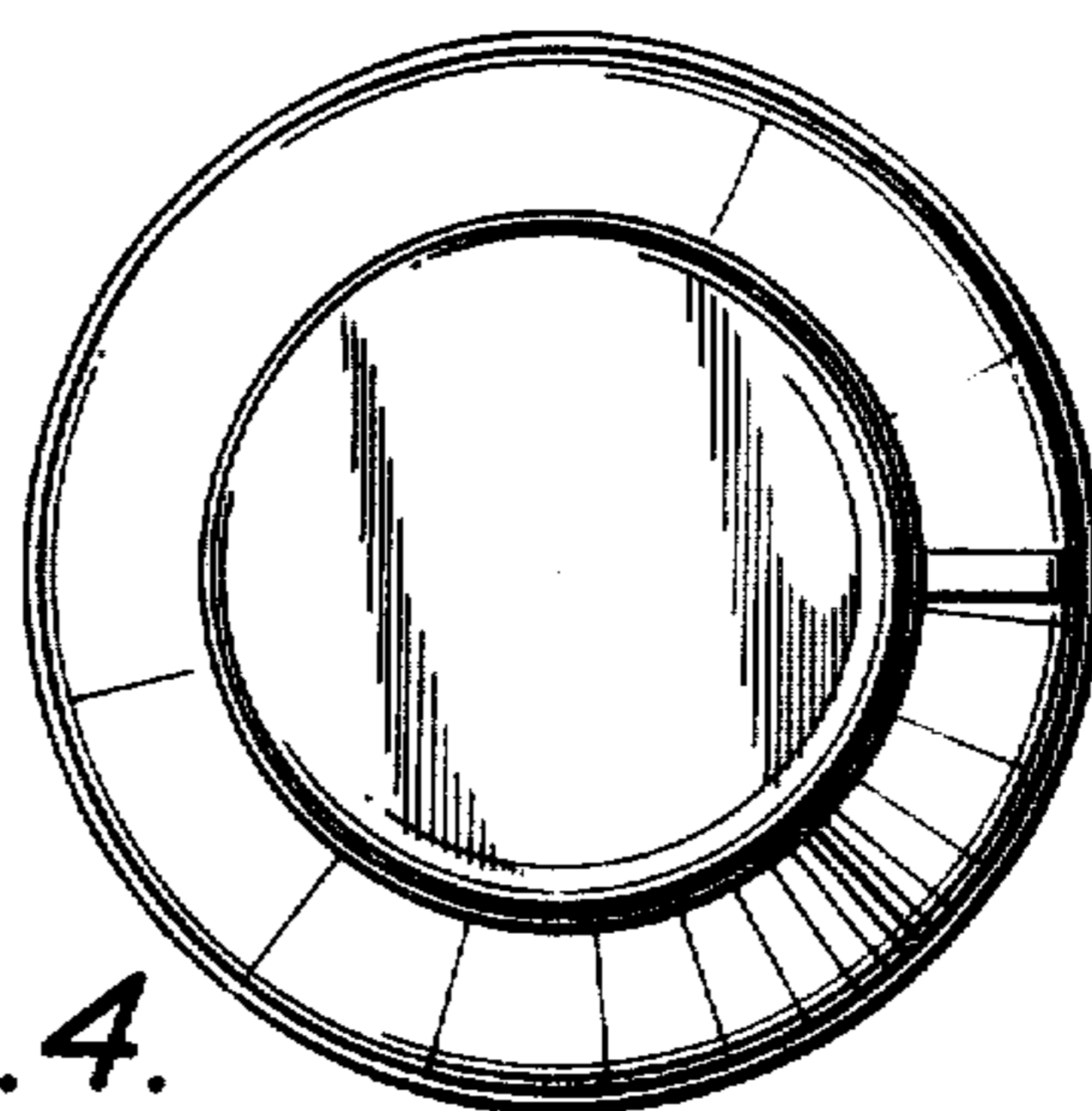
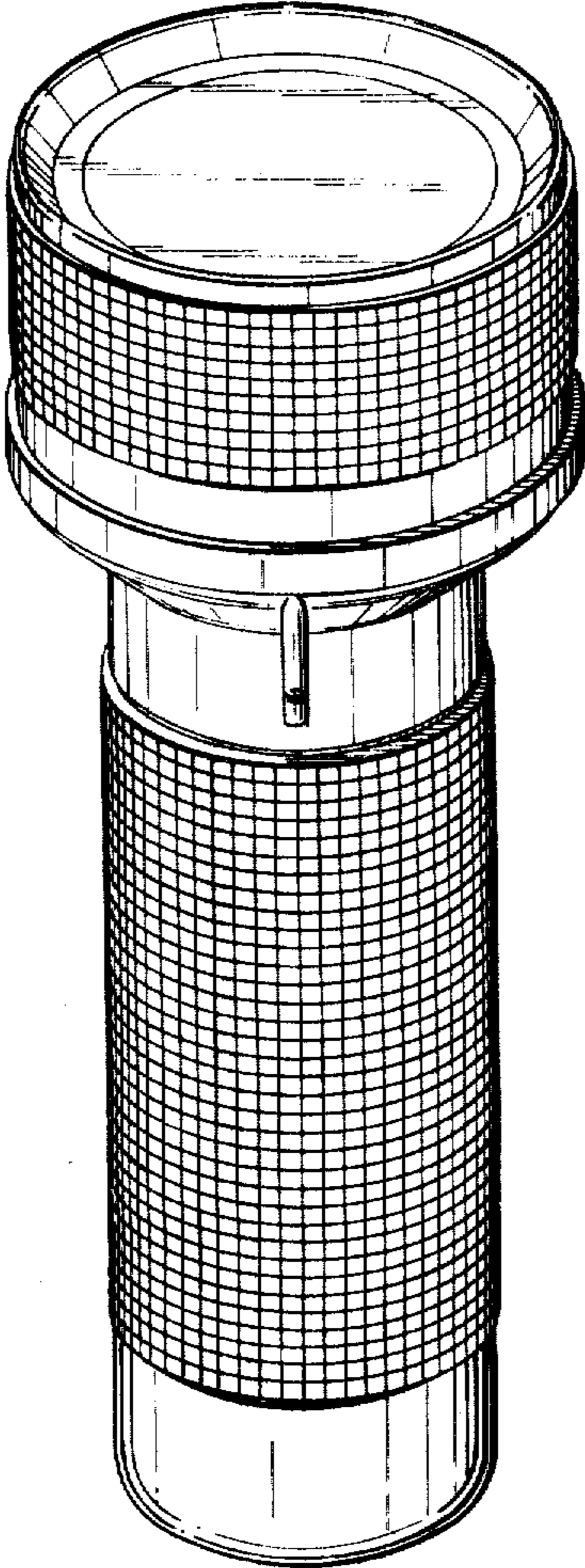


FIG. 4.



*FIG. 5.*