

[54] FIREARM MAGAZINE

[75] Inventor: Mack W. Gwinn, Jr., Levant, Me.

[73] Assignee: Firepower, Inc., Hancock, Me.

[\*\*] Term: 14 Years

[21] Appl. No.: 225,660

[22] Filed: Jan. 16, 1981

[51] Int. Cl. .... D22-01

[52] U.S. Cl. .... D22/7

[58] Field of Search ..... D22/7; 42/6, 49 R, 49 A, 42/50, 60

[56] References Cited

U.S. PATENT DOCUMENTS

- D. 256,489 8/1980 Stokes ..... D22/7
- 2,064,888 12/1936 Dickinson ..... 42/6
- 3,453,763 7/1969 Barr et al. .... 42/59

Primary Examiner—A. Hugo Word  
Attorney, Agent, or Firm—Schwartz & Weinrieb

[57] CLAIM

The ornamental design for a firearm magazine, substantially as shown and described.

DESCRIPTION

FIG. 1 is a perspective view of a firearm magazine showing my new design;

FIG. 2 is a top plan view of said firearm magazine;

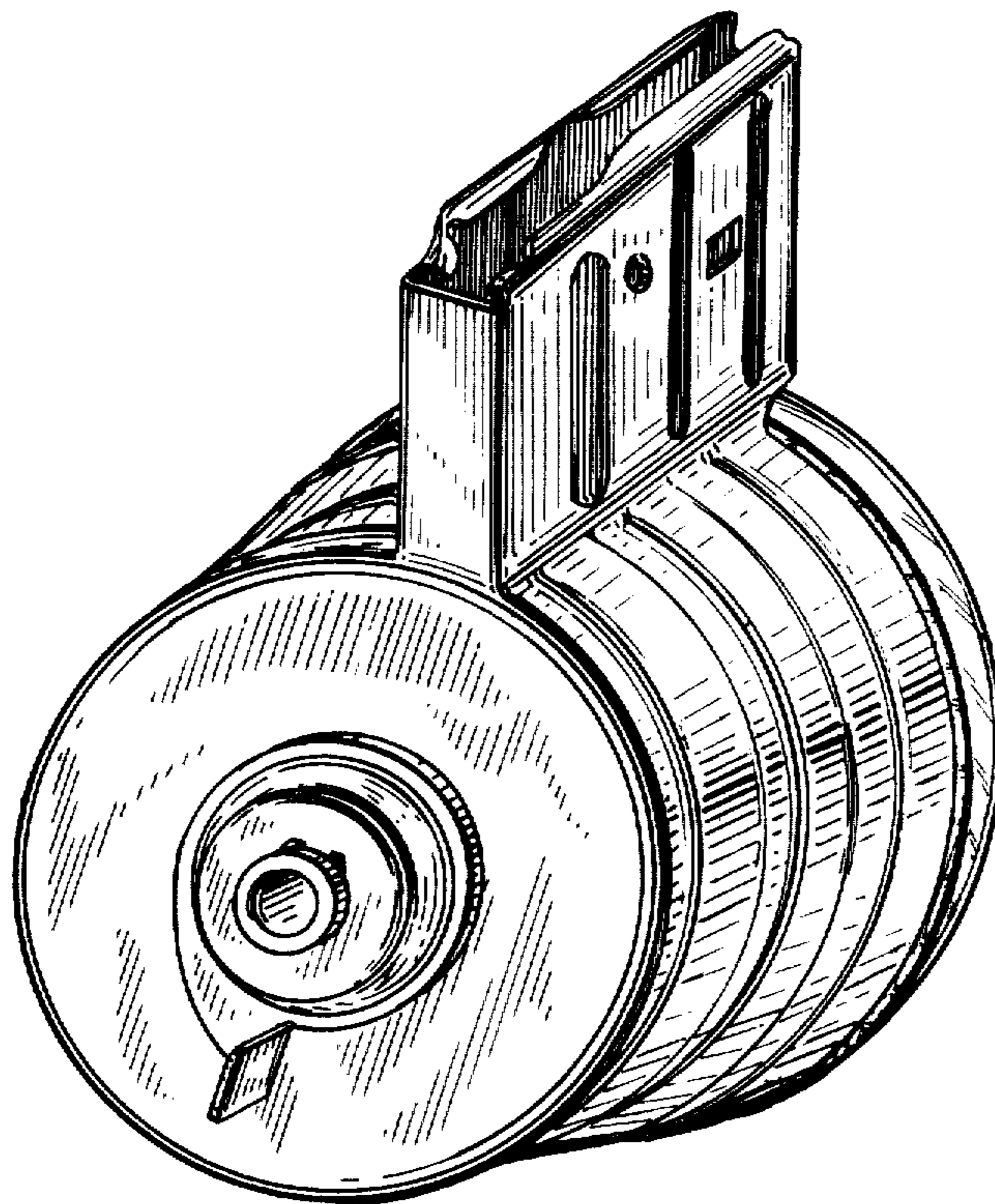
FIG. 3 is a bottom plan view of said firearm magazine;

FIG. 4 is an elevational view of the left side of said firearm magazine;

FIG. 5 is an elevational view of the right side of said magazine;

FIG. 6 is a front elevational view of said firearm magazine; and

FIG. 7 is a rear elevational view of said firearm magazine.



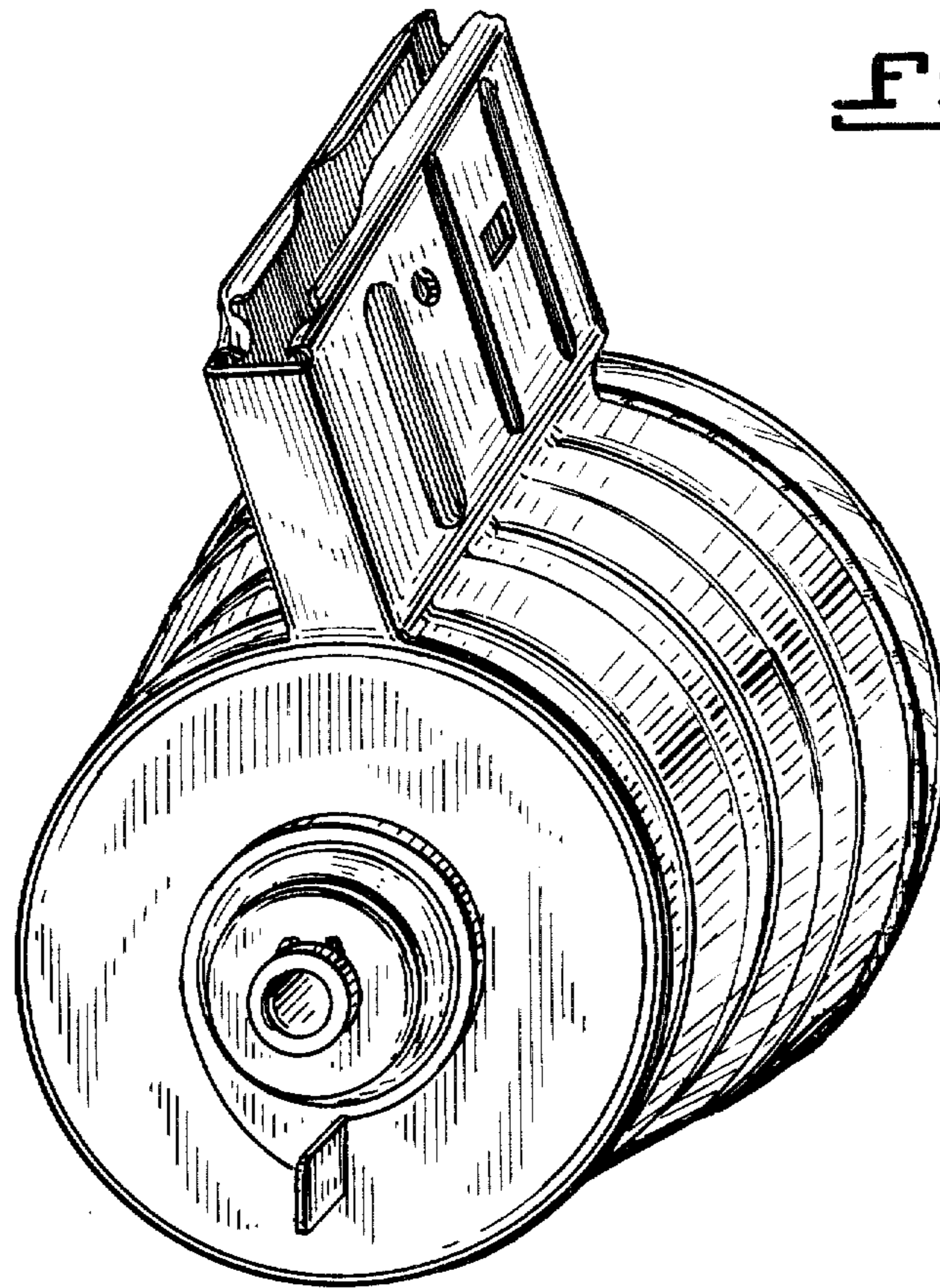


Fig. 1

Fig. 3

Fig. 2

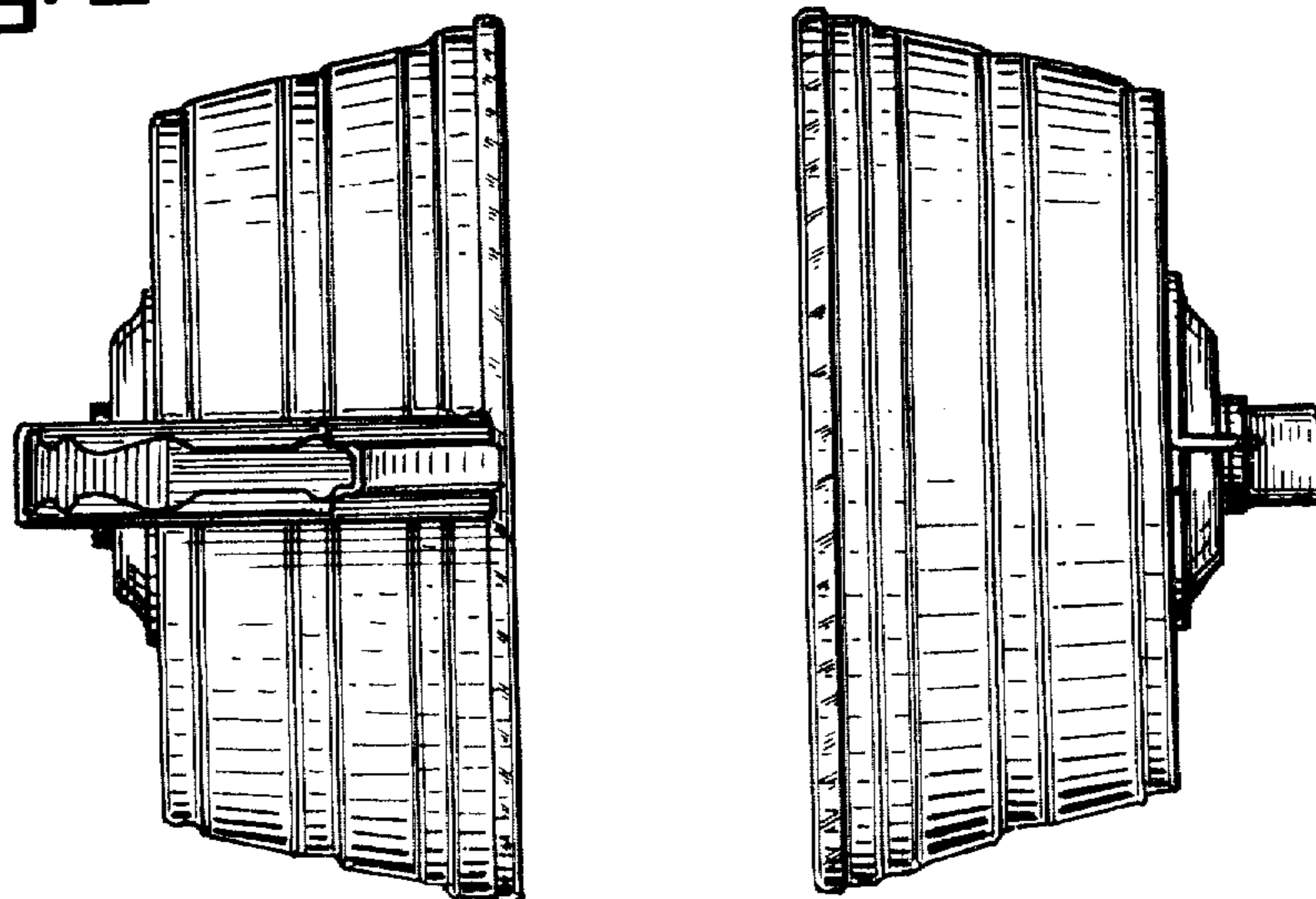




Fig. 4

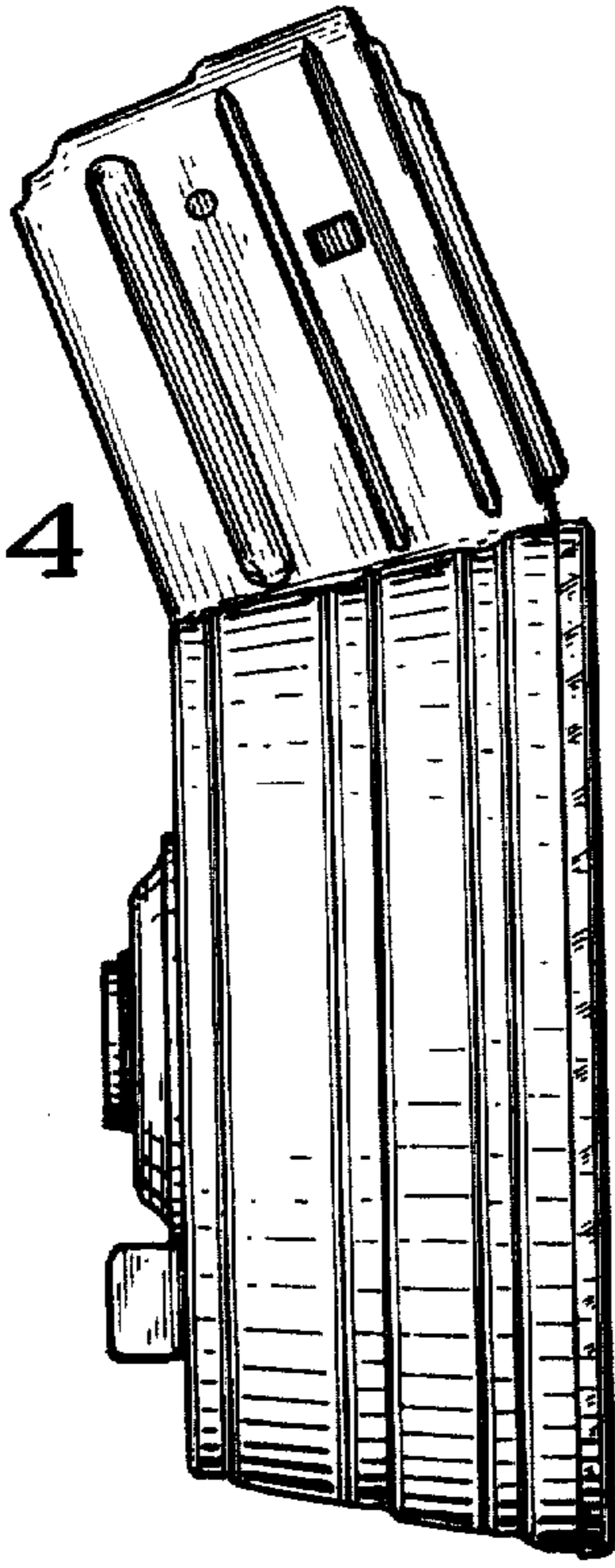


Fig. 5

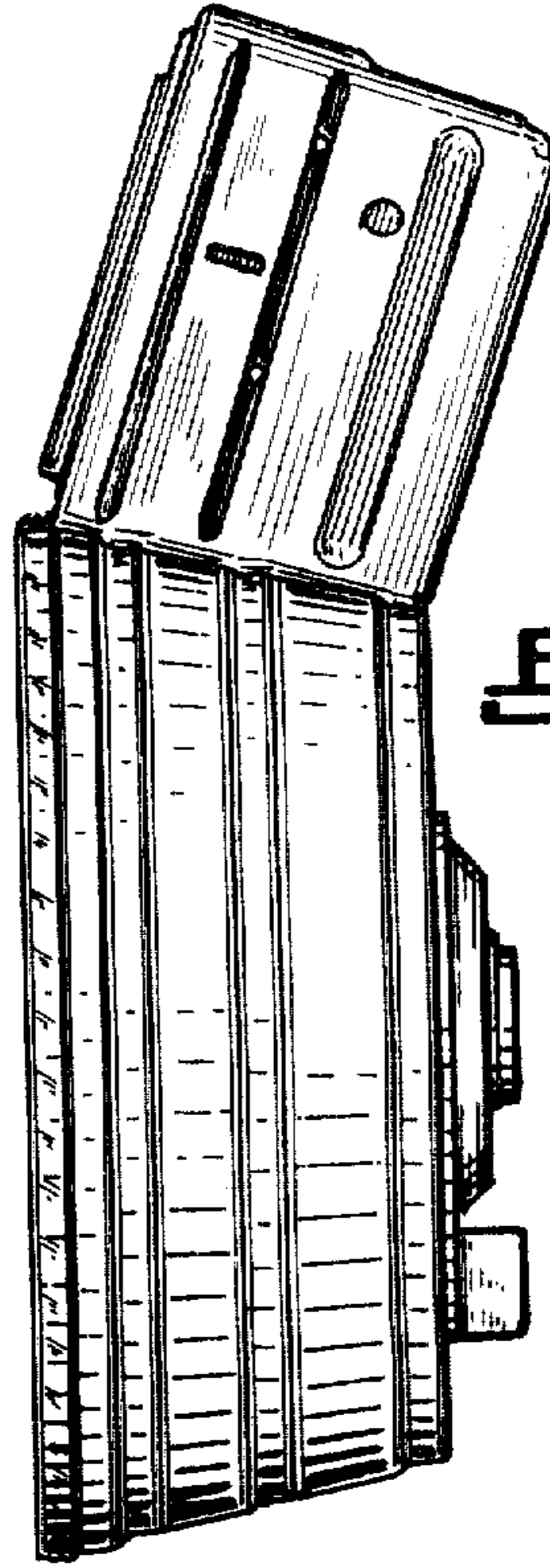


Fig. 6

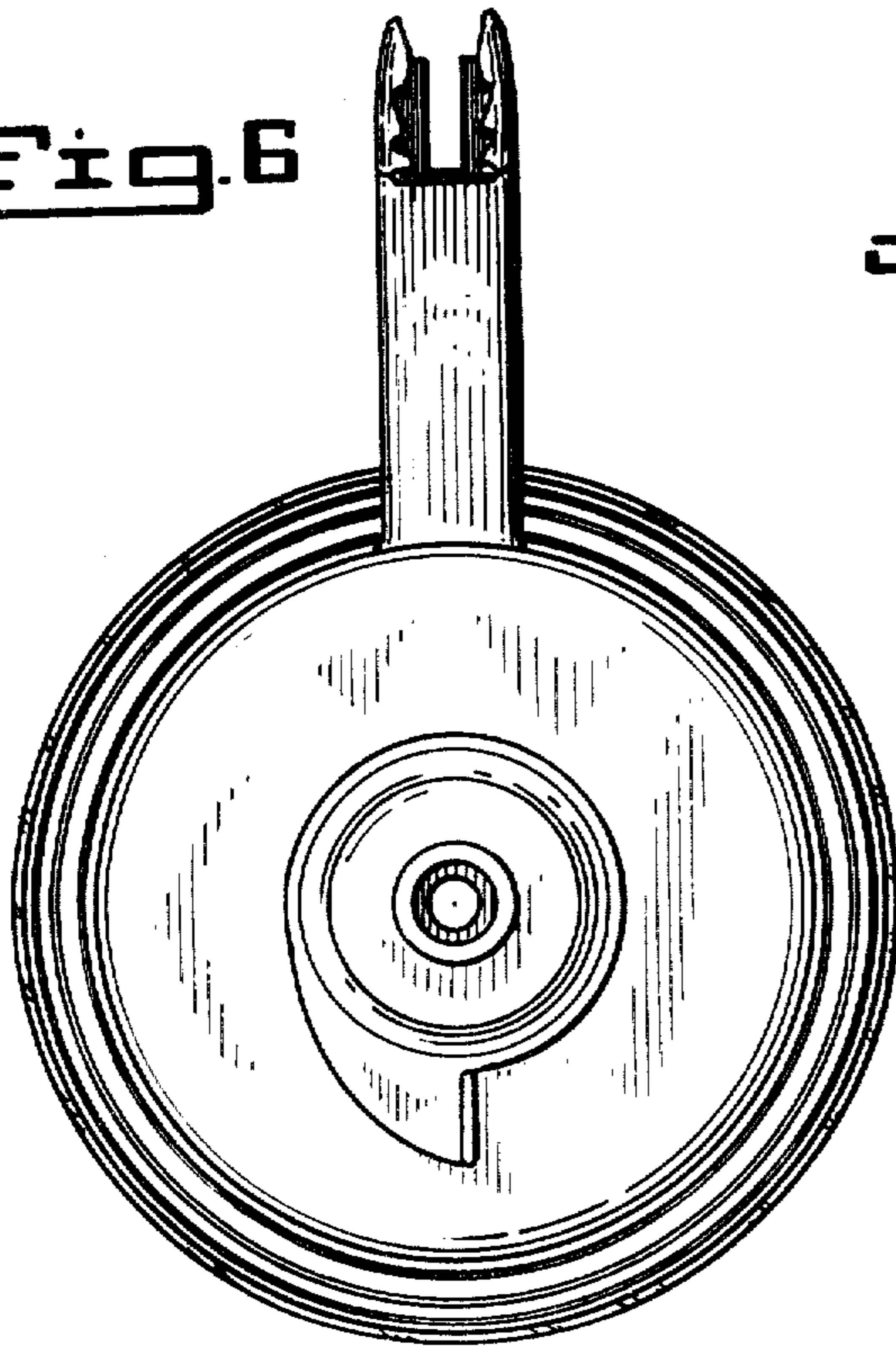


Fig. 7

