

[54] TOOL HOLDER

[76] Inventor: Gary J. Kraus, 4420 Woodtrail La., Cincinnati, Ohio 45239

[**] Term: 14 Years

[21] Appl. No.: 194,364

[22] Filed: Oct. 6, 1980

[51] Int. Cl. D15-99; D6-06; D8-08

[52] U.S. Cl. D15/140; D6/114; D6/125; D8/373; D8/380

[58] Field of Search D6/114, 85, 125, 130; D8/373, 380, 354; 211/13, 69, 60 T, 60 R, 87, 88, 89; 248/310, 309 R, 311.2, 302; 206/349, 379; D15/140

[56] References Cited

U.S. PATENT DOCUMENTS

- D. 218,910 10/1970 Gargrave D15/140
- D. 222,865 1/1972 Coy D6/125

- D. 226,298 2/1973 Anderson D6/125
- D. 262,678 1/1982 DeBoer D6/130
- 2,491,515 12/1949 Orchard 248/302
- 2,603,438 7/1952 Adams 248/302
- 3,337,058 8/1967 Sandrick 211/69

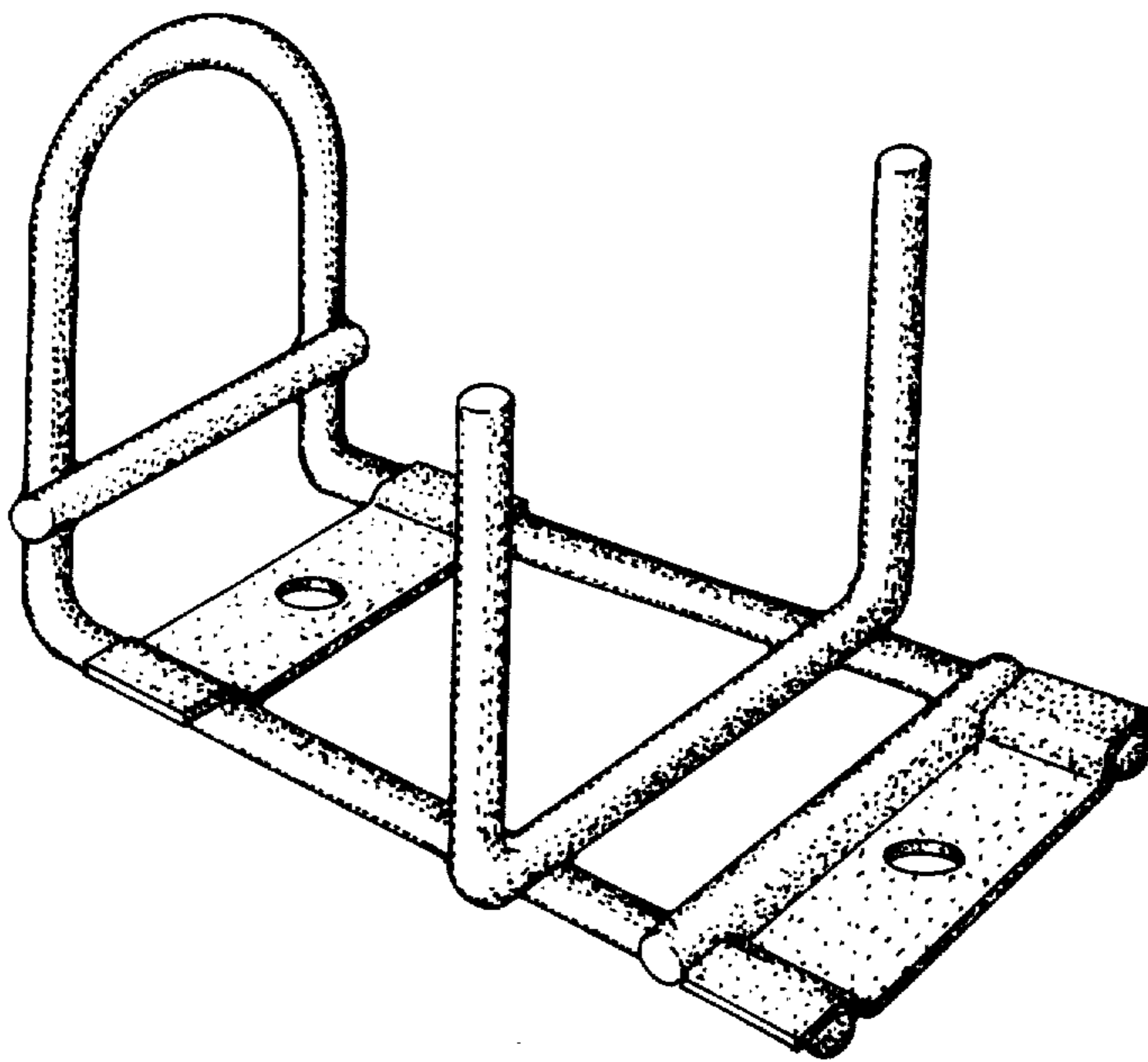
Primary Examiner—B. J. Bullock
Attorney, Agent, or Firm—Frost & Jacobs

[57] CLAIM

The ornamental design for a tool holder, substantially as shown and described.

DESCRIPTION

FIG. 1 is a perspective view of the tool holder showing my new design;
 FIG. 2 is a front elevational view;
 FIG. 3 is a rear elevational view;
 FIG. 4 is a side elevational view;
 FIG. 5 is a top plan view;
 FIG. 6 is a bottom plan view.
 The side elevational view not shown is a mirror image of that shown in FIG. 4.



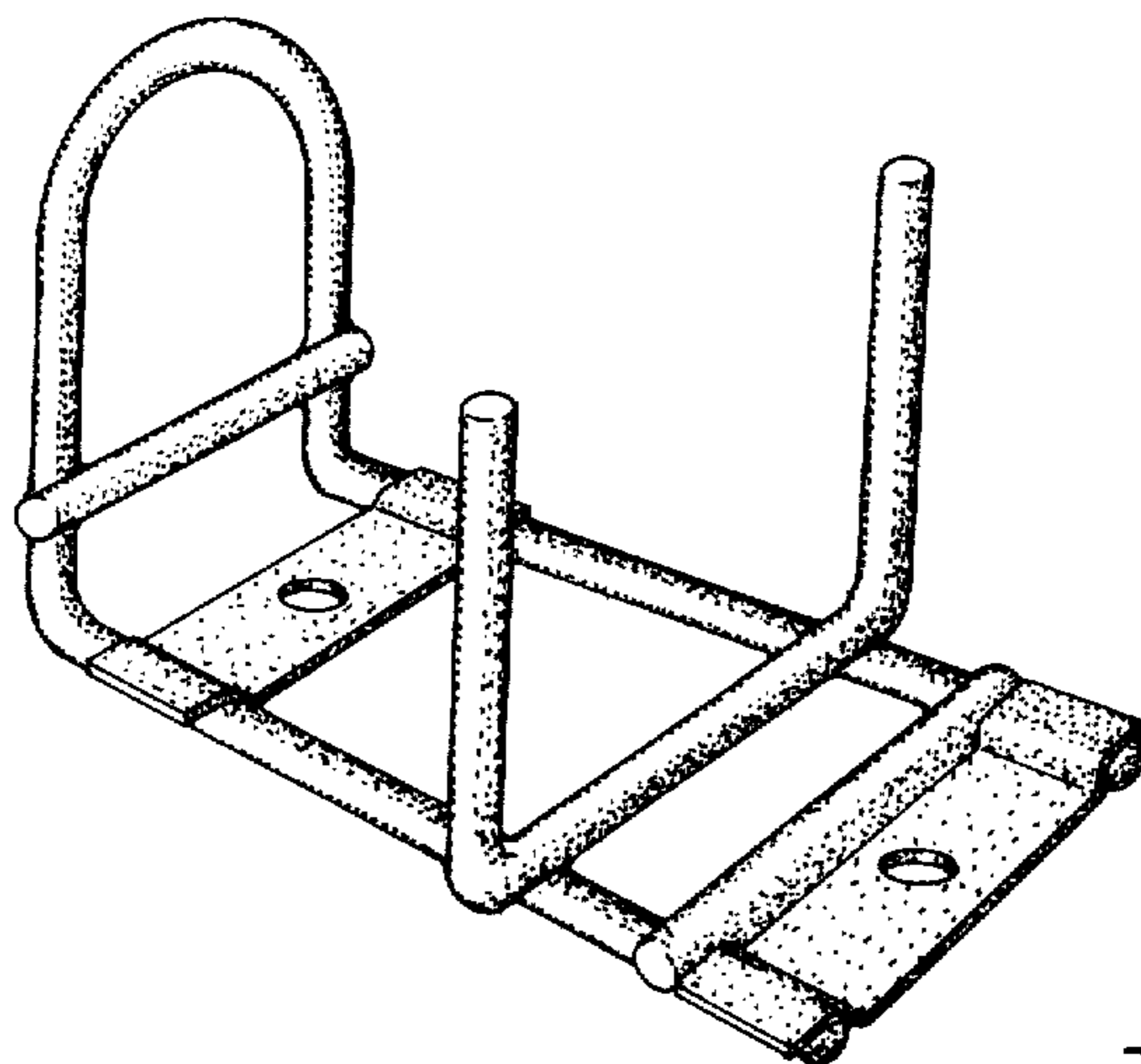


FIG 1

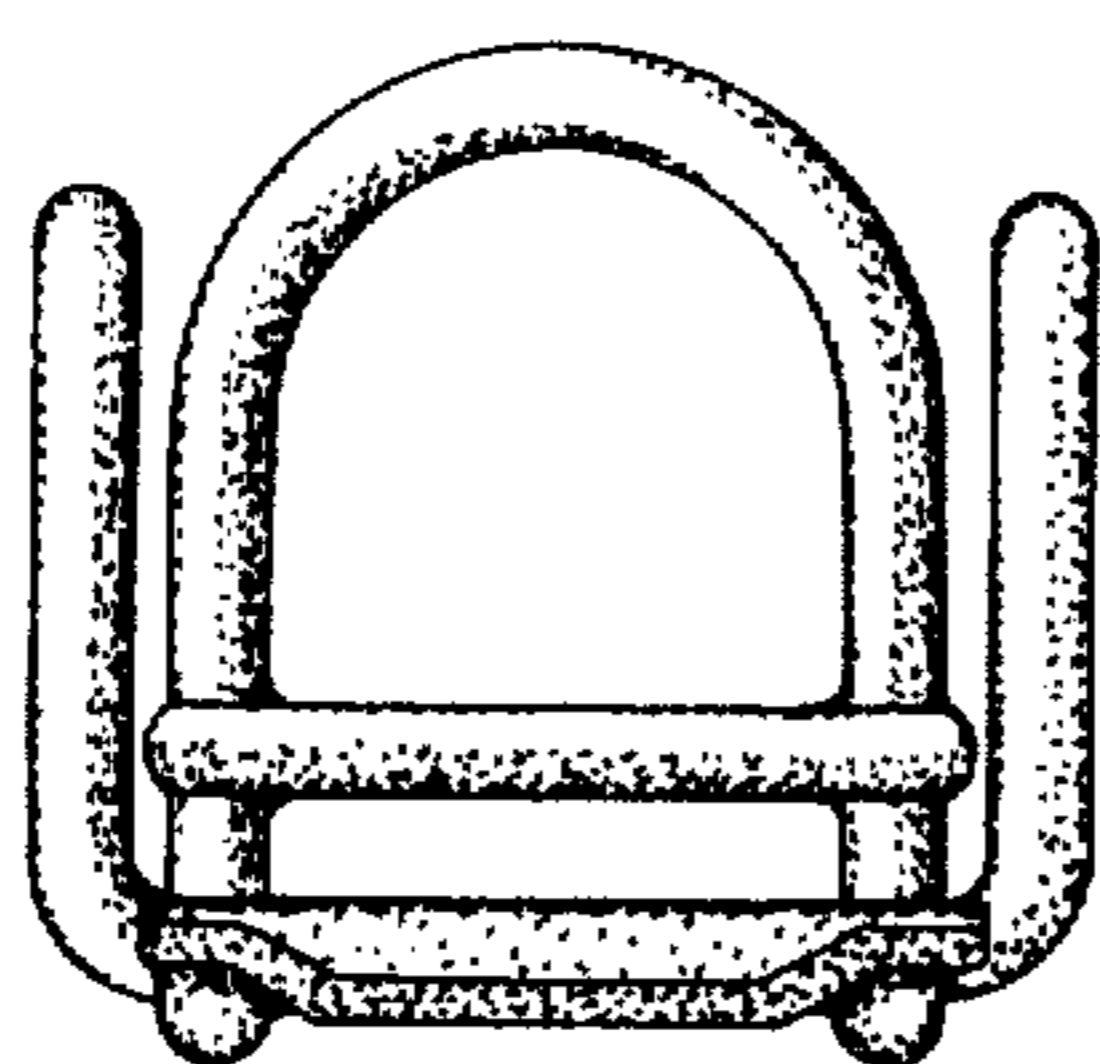


FIG 2

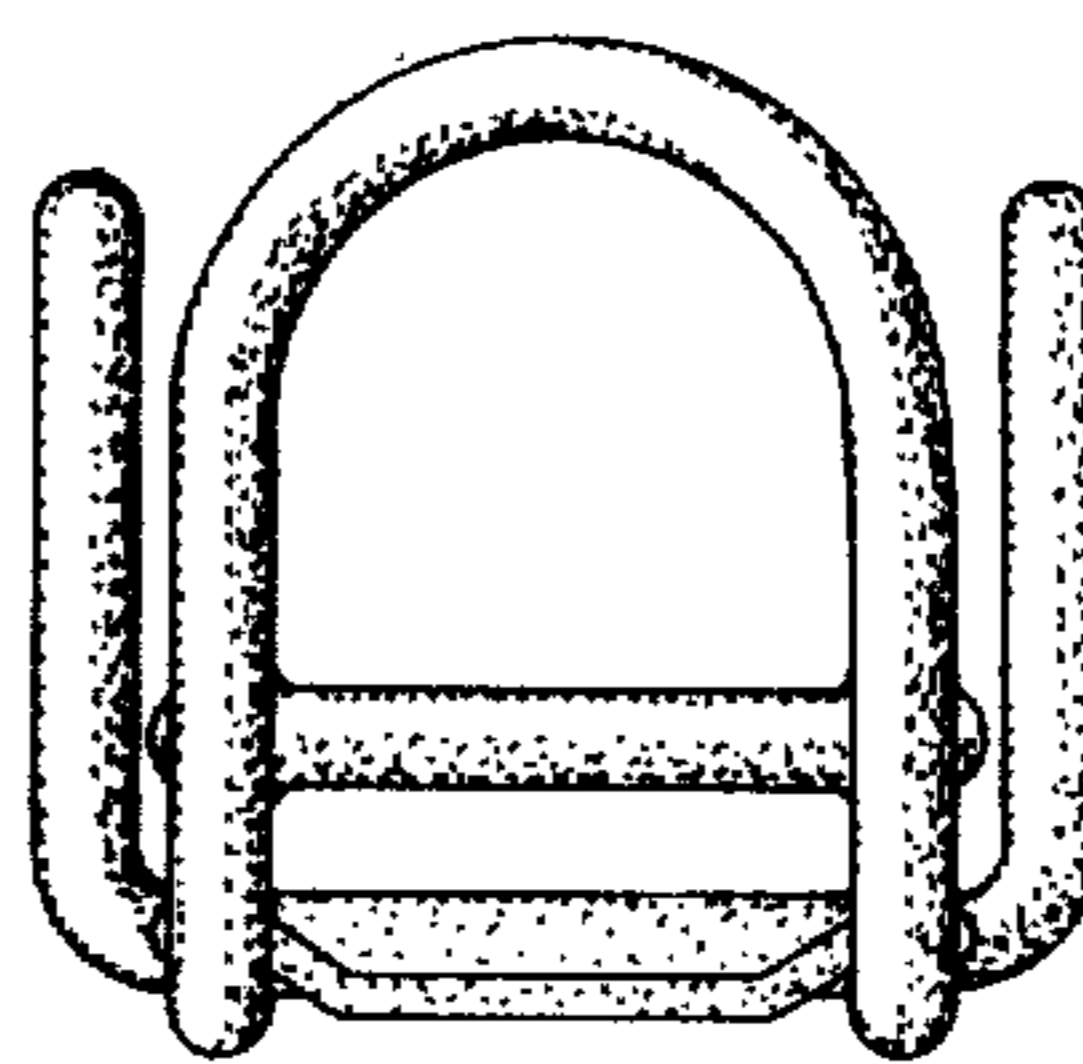


FIG 3

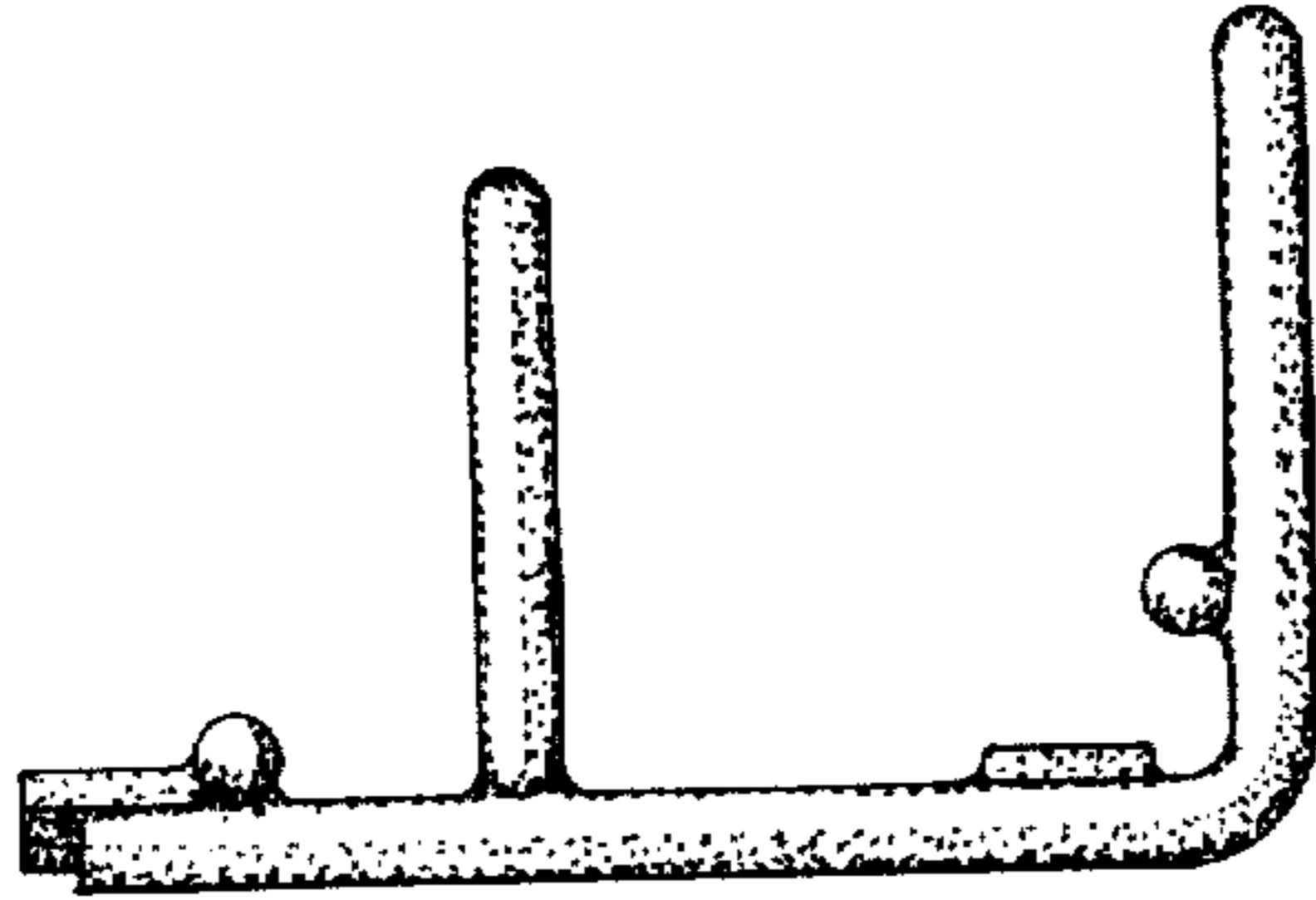


FIGURE 4

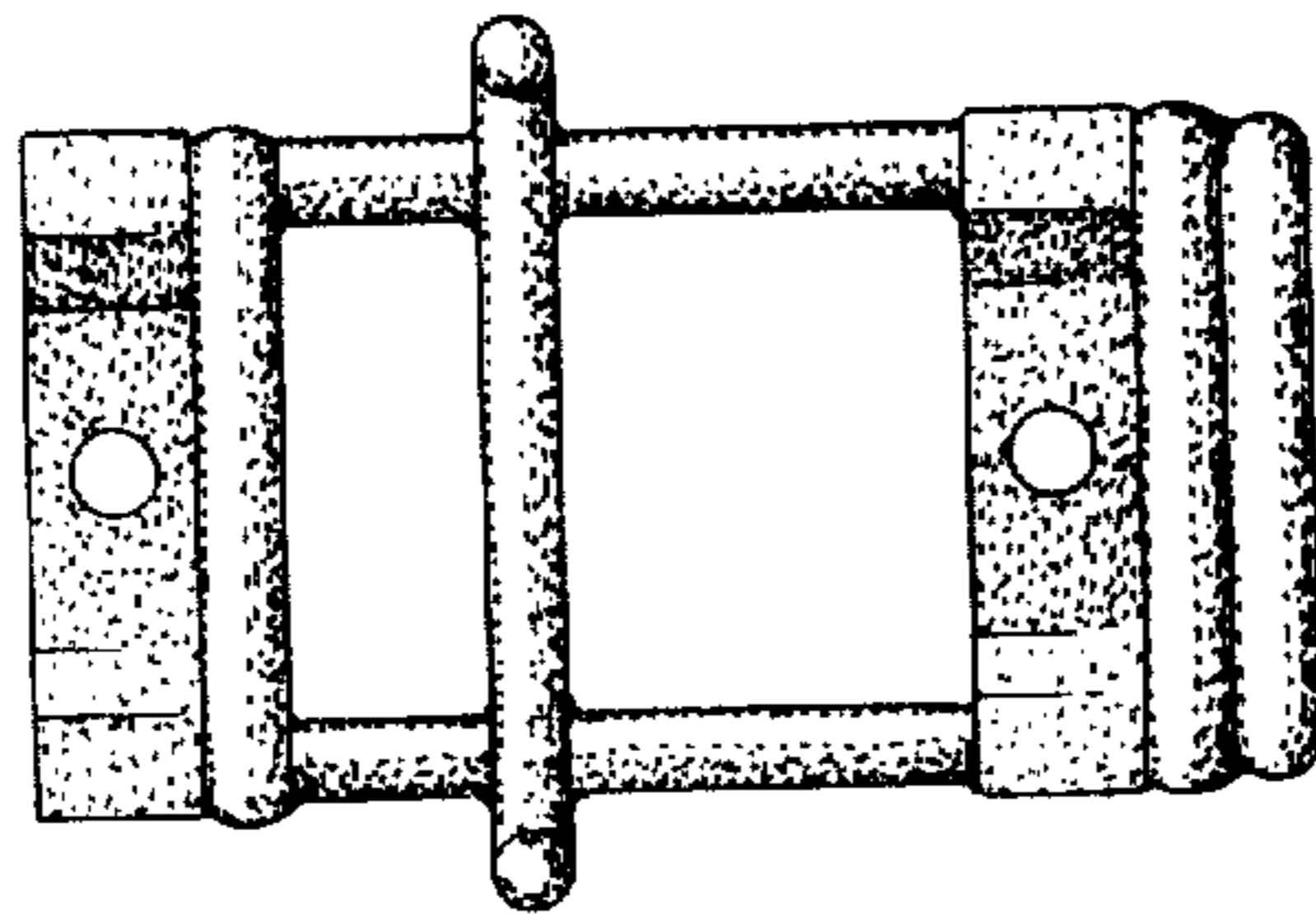


FIGURE 5

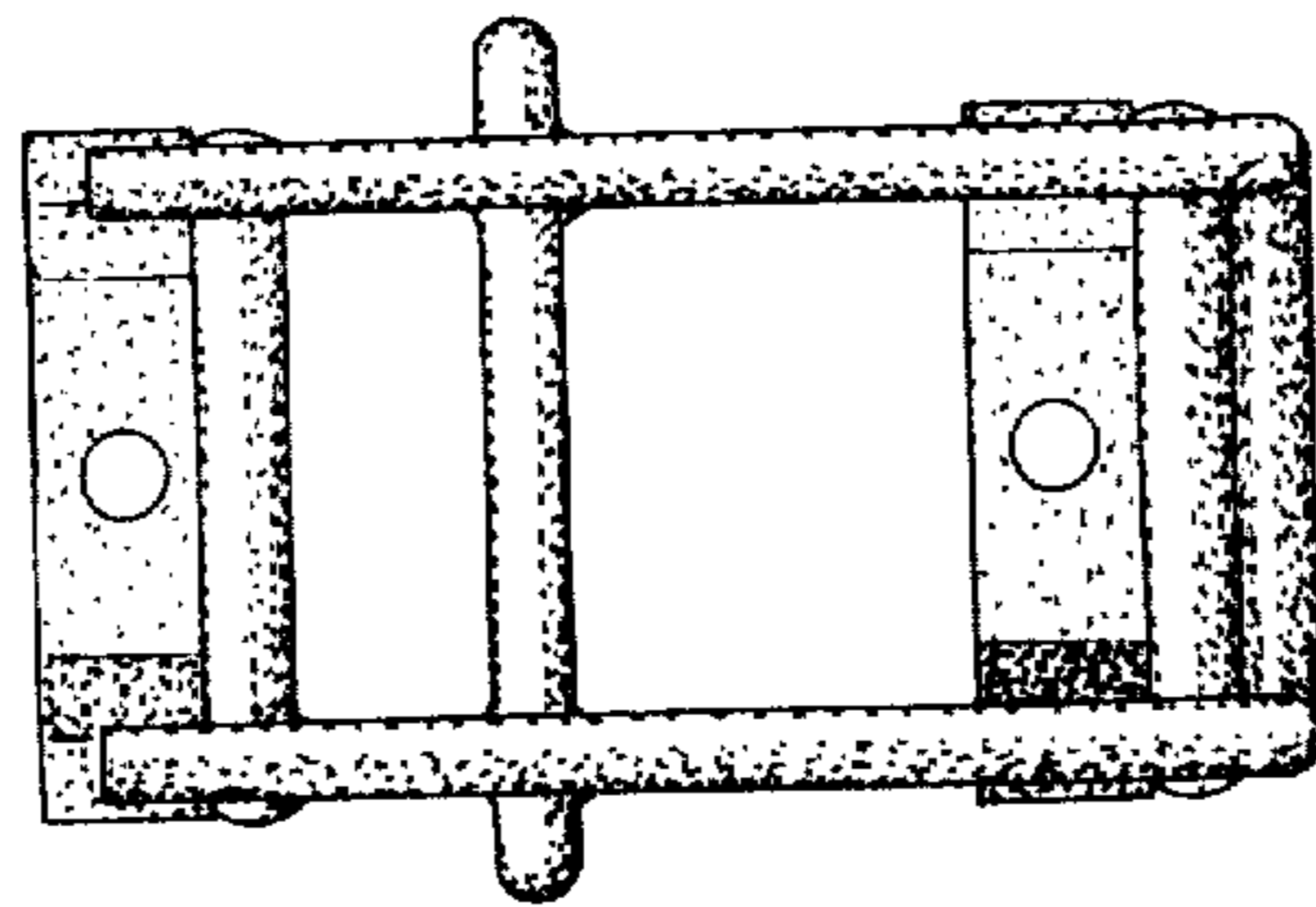


FIGURE 6