

[54] CHUCK JAW BORE-TRUING FIXTURE

[76] Inventor: Kenneth W. Vezner, 6107 Fremont Ave. North, Minneapolis, Minn. 55430

[**] Term: 14 Years

[21] Appl. No.: 182,993

[22] Filed: Sep. 2, 1980

[51] Int. Cl. D15-09

[52] U.S. Cl. D15/138

[58] Field of Search D15/138, 140, 199; 33/185 R; 279/1 R, 1 A, 1 ME, 1 L, 1 K

[56] References Cited

U.S. PATENT DOCUMENTS

2,567,498	9/1951	Strauss	279/1 K
3,104,474	9/1963	Rehart	279/1 R
3,711,106	1/1973	Hogan et al.	279/1 L
4,041,612	8/1977	Skubic	279/1 L

Primary Examiner—B. J. Bullock
Attorney, Agent, or Firm—Schroeder, Siegfried, Vidas, Steffey & Arrett

[57] CLAIM

The ornamental design for a chuck jaw bore-truing fixture, as shown and described.

DESCRIPTION

FIG. 1 is a perspective view of a chuck jaw bore-truing fixture embodying my new design, showing the back side viewed from the right and above; and FIG. 2 is a perspective view of the same showing the front side, also viewed from the right and above.

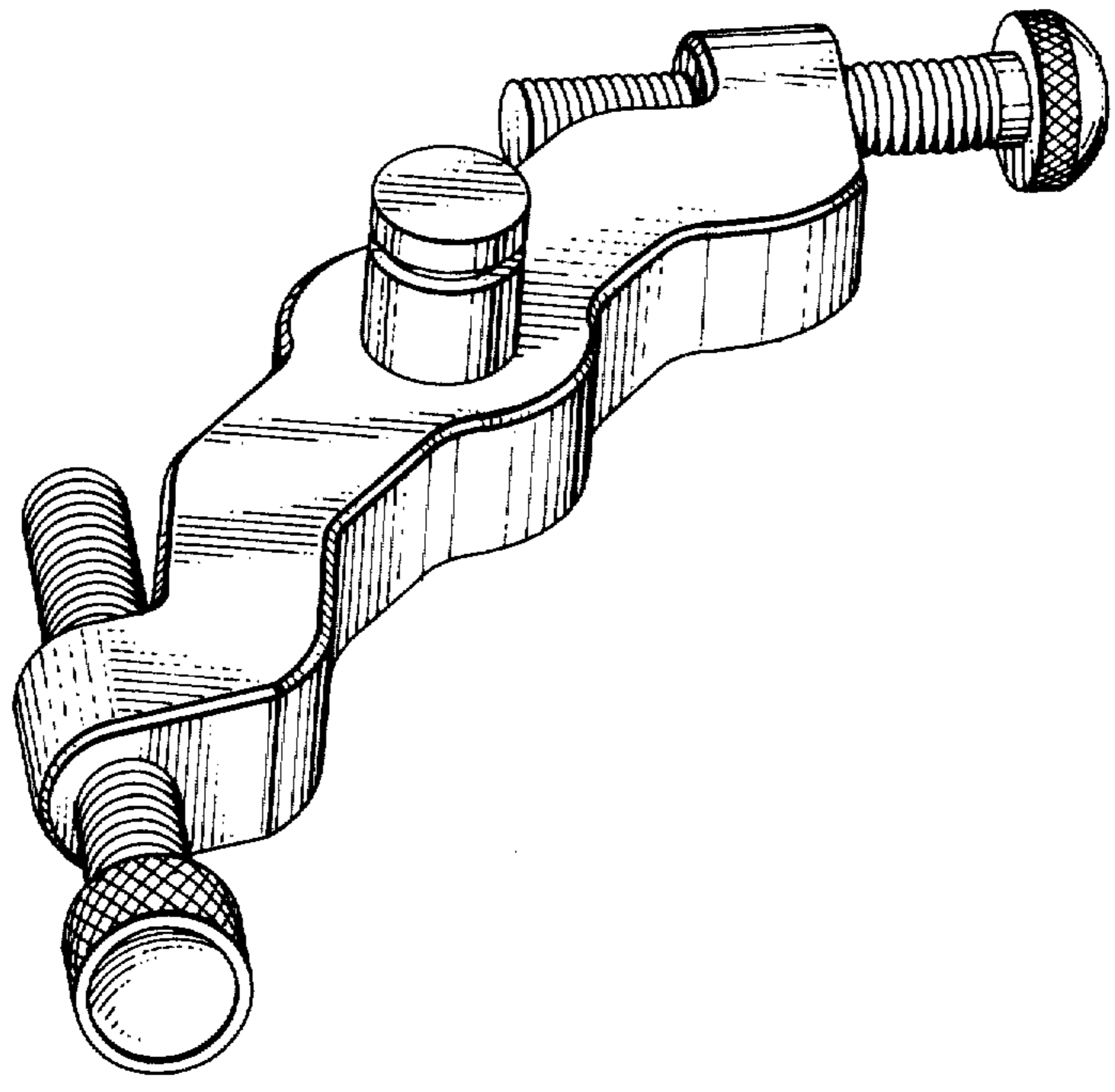


Fig. 1

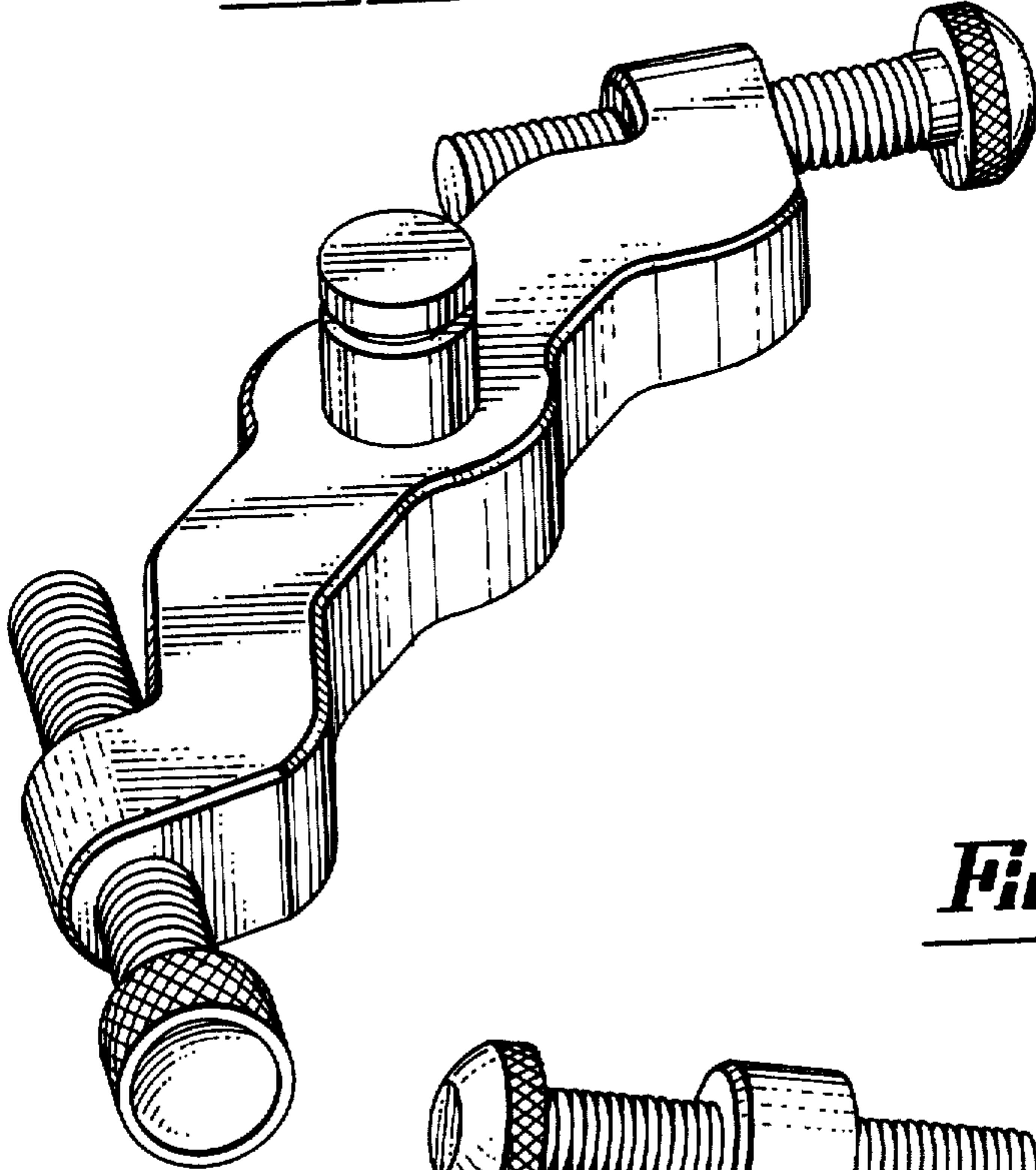


Fig. 2

