

[54] PLOW ASSEMBLY

[76] Inventor: Ronald C. Adair, 914 Morris Rd., Toney, Ala. 35773

[**] Term: 14 Years

[21] Appl. No.: 185,365

[22] Filed: Sep. 8, 1980

[51] Int. Cl. D15-03

[52] U.S. Cl. D15/11; D15/27

[58] Field of Search 172/699, 146, 247, 251, 172/124; D15/11, 27; 256/534; 294/51; 37/117.5

References Cited

U.S. PATENT DOCUMENTS

546,440	8/1895	Tufts	172/247
1,541,113	6/1925	Byrum	D15/11 X
1,814,003	7/1931	Lown	172/251
2,925,870	2/1960	Michelsen et al.	172/146

Primary Examiner—A. Hugo Word

Attorney, Agent, or Firm—C. A. Phillips

[57] CLAIM

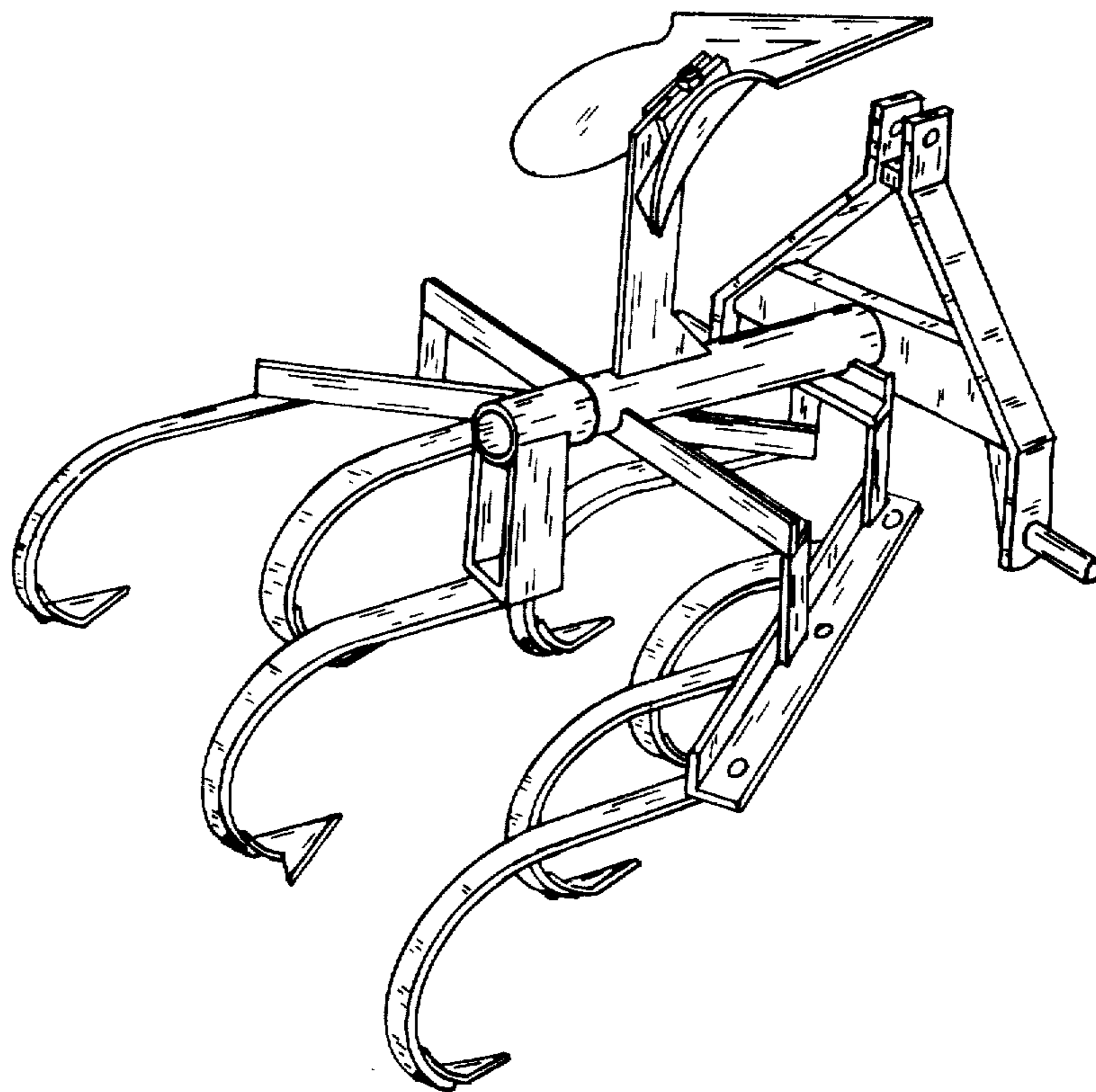
The ornamental design for a plow assembly, substantially as shown and described.

DESCRIPTION

FIG. 1 is a perspective view of the plow assembly of my design as seen from an upper rear right side point of perspective. A view seen from a like but left side point of perspective would be identical, except that it would be a mirror image of the view shown in FIG. 1.

FIG. 2 is a perspective view as seen from the lower rear right side of the plow assembly. A view as seen from the lower rear left side of the plow would be a mirror image of the view shown in FIG. 2.

FIG. 3 is an enlarged perspective view as seen from one side of the front of the plow assembly, with the portion behind the extreme front portion of the plow assembly being broken away. A view of that portion of the plow shown in FIG. 3 as seen from the opposite front side to that of the point of view of FIG. 3 would be a mirror image of the view shown in FIG. 3.



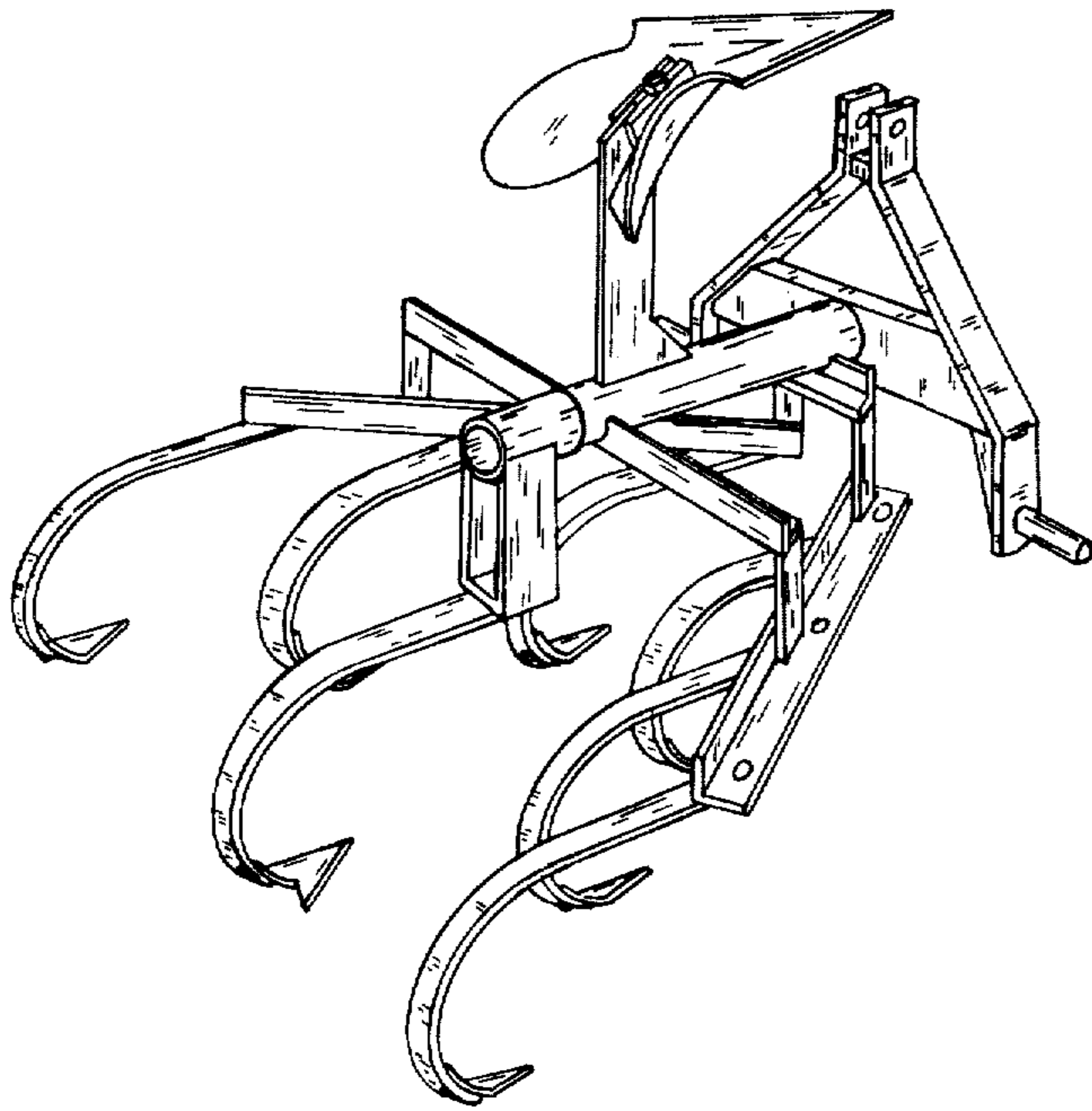


FIG 1

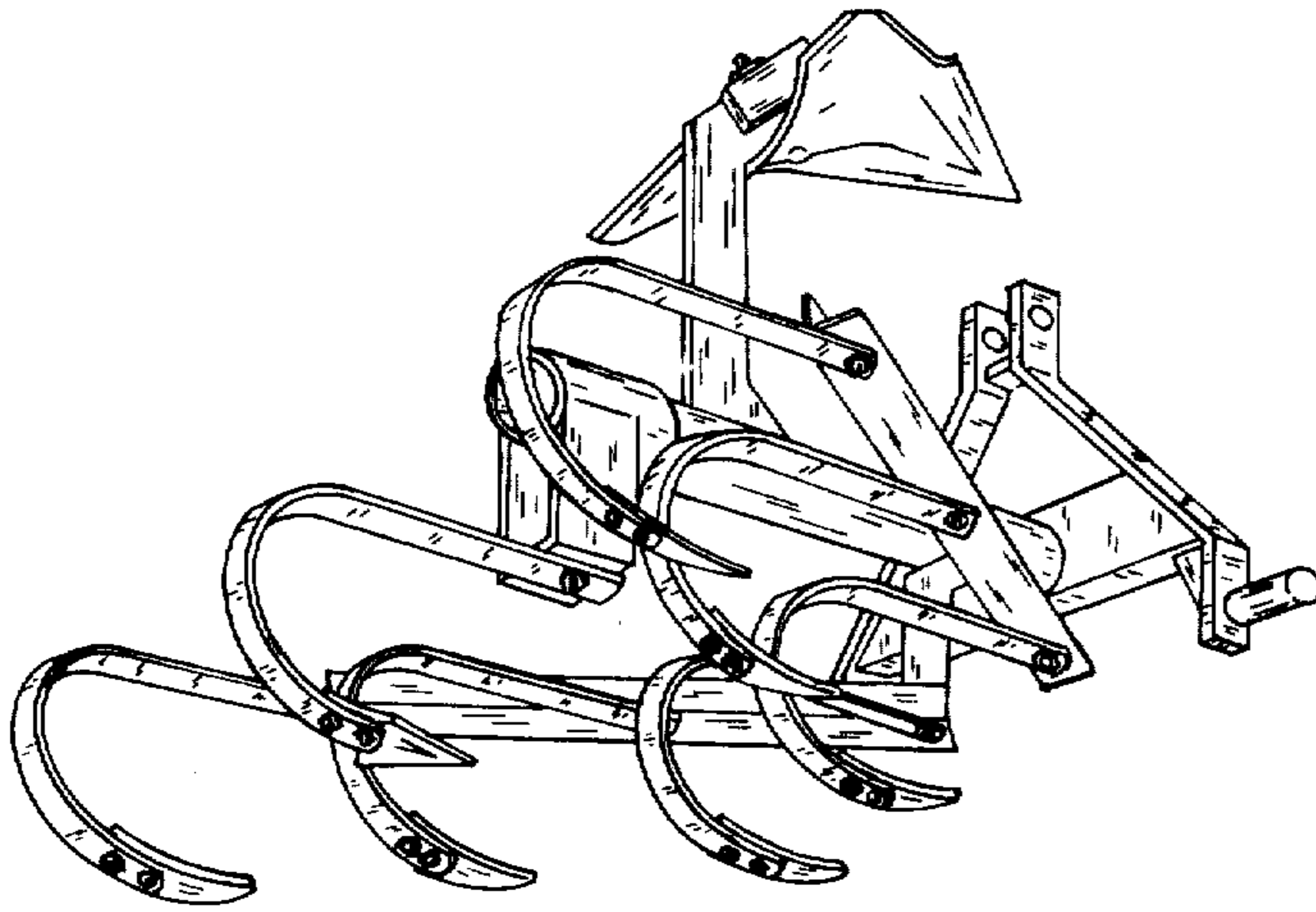


FIG 2

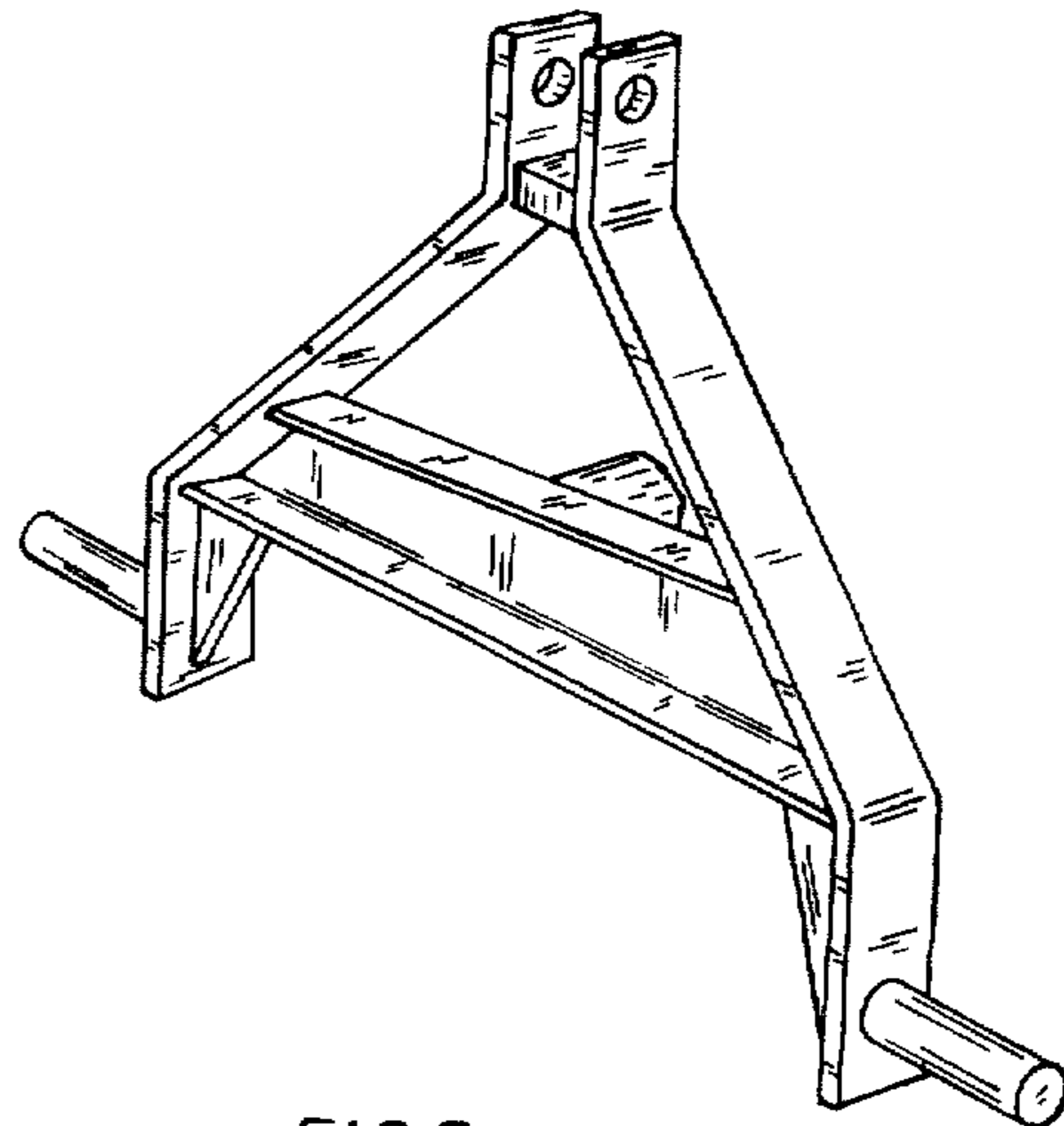


FIG 3