

[54] **SPEAKER MOUNTING BRACKET**

[76] **Inventor:** Alexander Cyrell, 3540 N. Knoll Dr.,
Hollywood, Calif. 90068

[**] **Term:** 14 Years

[21] **Appl. No.:** 205,925

[22] **Filed:** Nov. 12, 1980

[51] **Int. Cl.** D14-01; D14-99

[52] **U.S. Cl.** D14/37; D8/373;
D14/38

[58] **Field of Search** D14/37, 38; D8/354,
D8/363, 373; 248/181, 288.3; 179/149, 150,
147, 152

[56] **References Cited**

U.S. PATENT DOCUMENTS

D. 187,701 4/1960 Dahlberg D8/363
D. 218,016 7/1970 Hogrebe D8/363
D. 234,072 1/1975 Schultz D8/363 X

Primary Examiner—Jane E. Corrigan
Attorney, Agent, or Firm—Lewis Anten

[57] **CLAIM**

The ornamental design for a speaker mounting bracket,
as shown and described.

DESCRIPTION

FIG. 1 is a front, top and right side perspective view of
a speaker mounting bracket showing my new design;
FIG. 2 is a rear, top and left side perspective view;
FIG. 3 is a right side elevational view;
FIG. 4 is a top plan view with the speaker engaging
member broken off for convenience of illustration; and
FIG. 5 is a bottom plan view thereof.

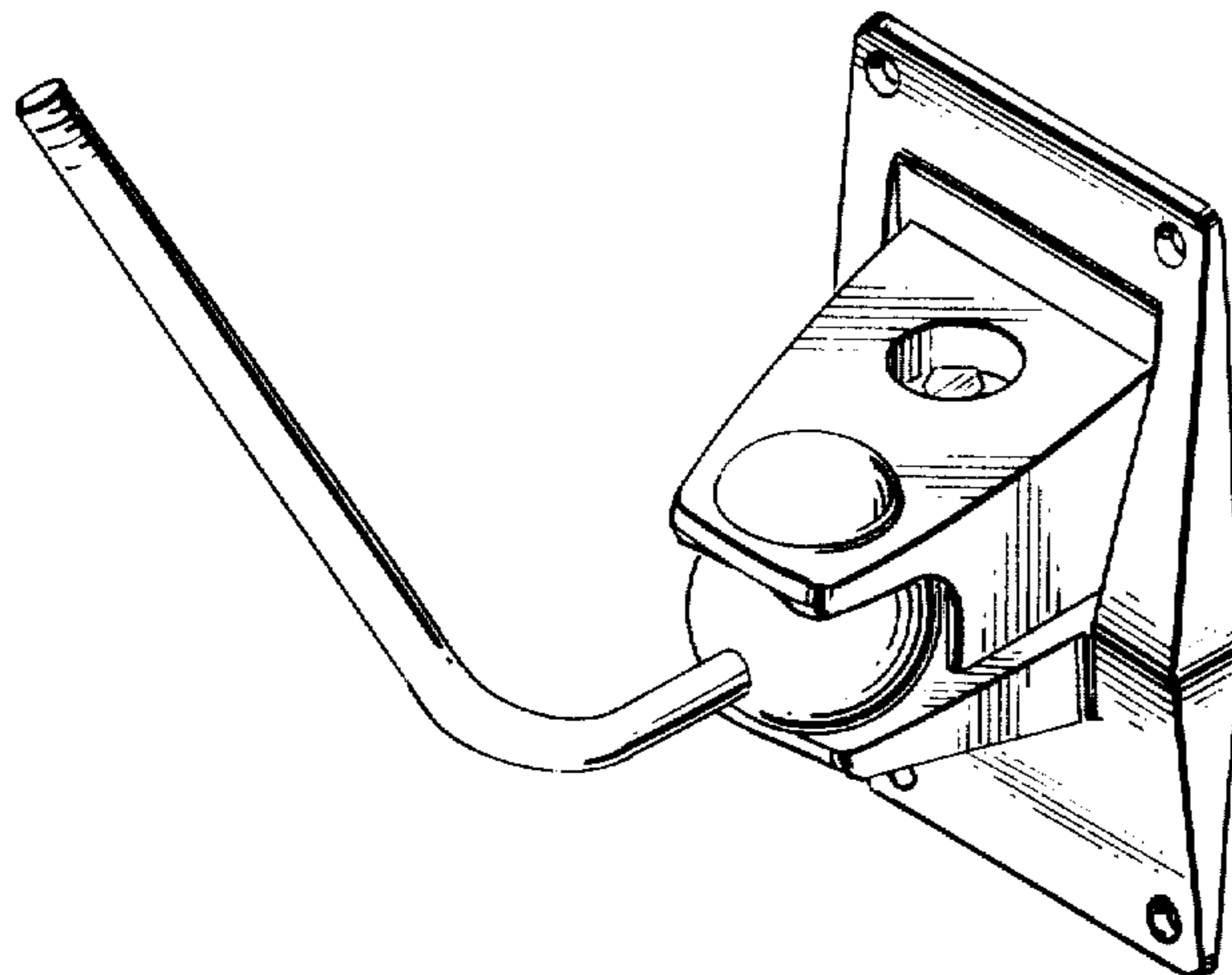


FIG. 1

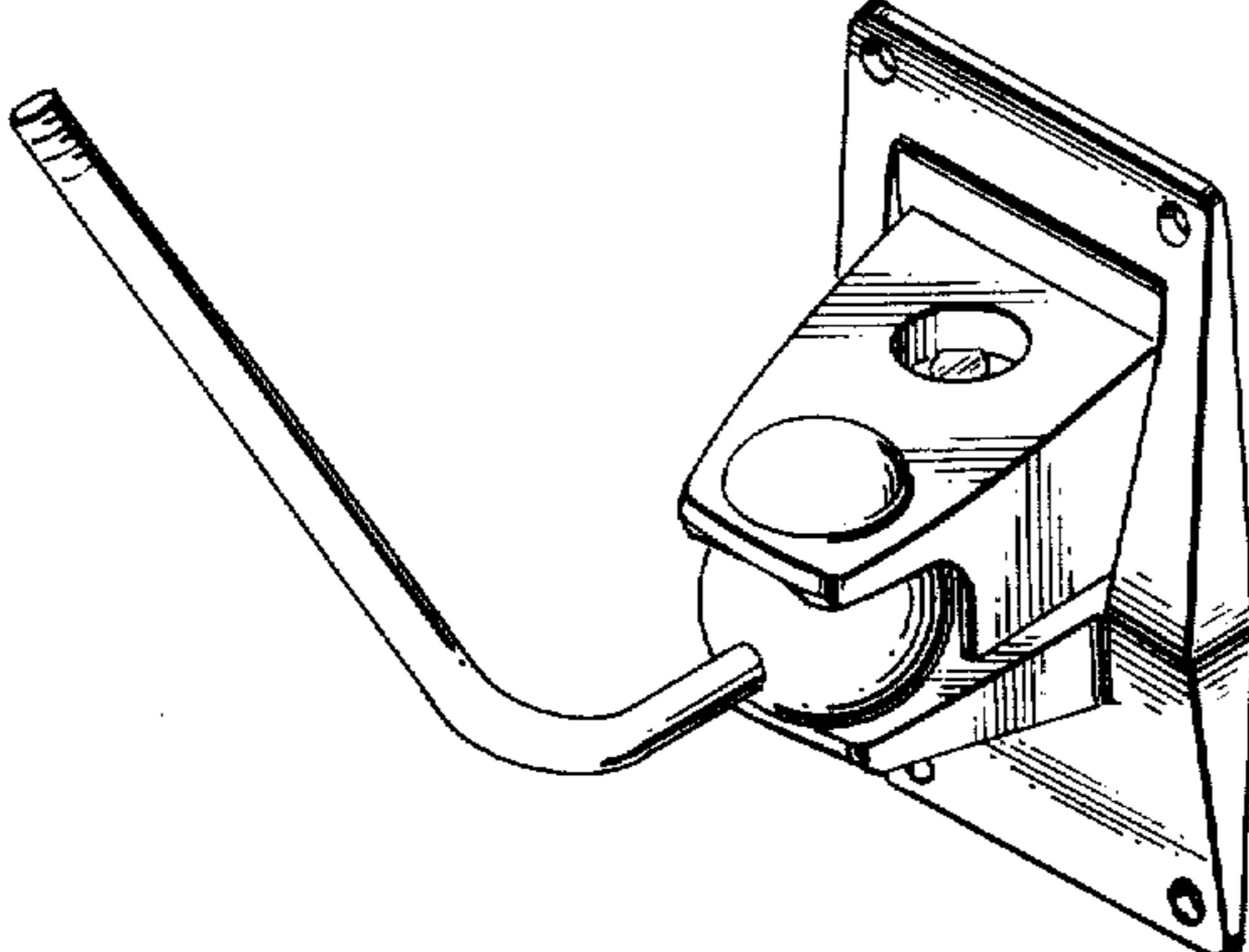


FIG. 2

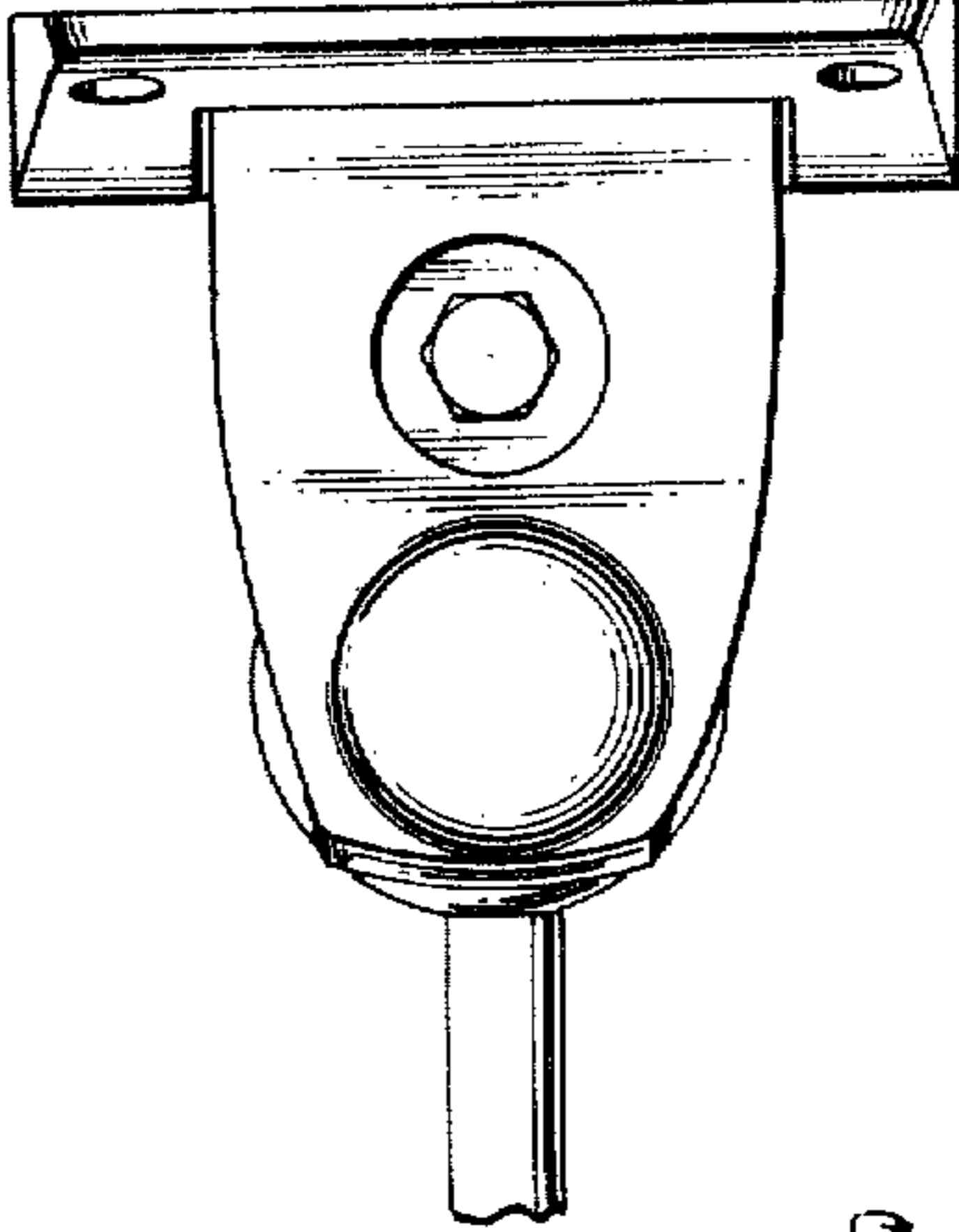


FIG. 2

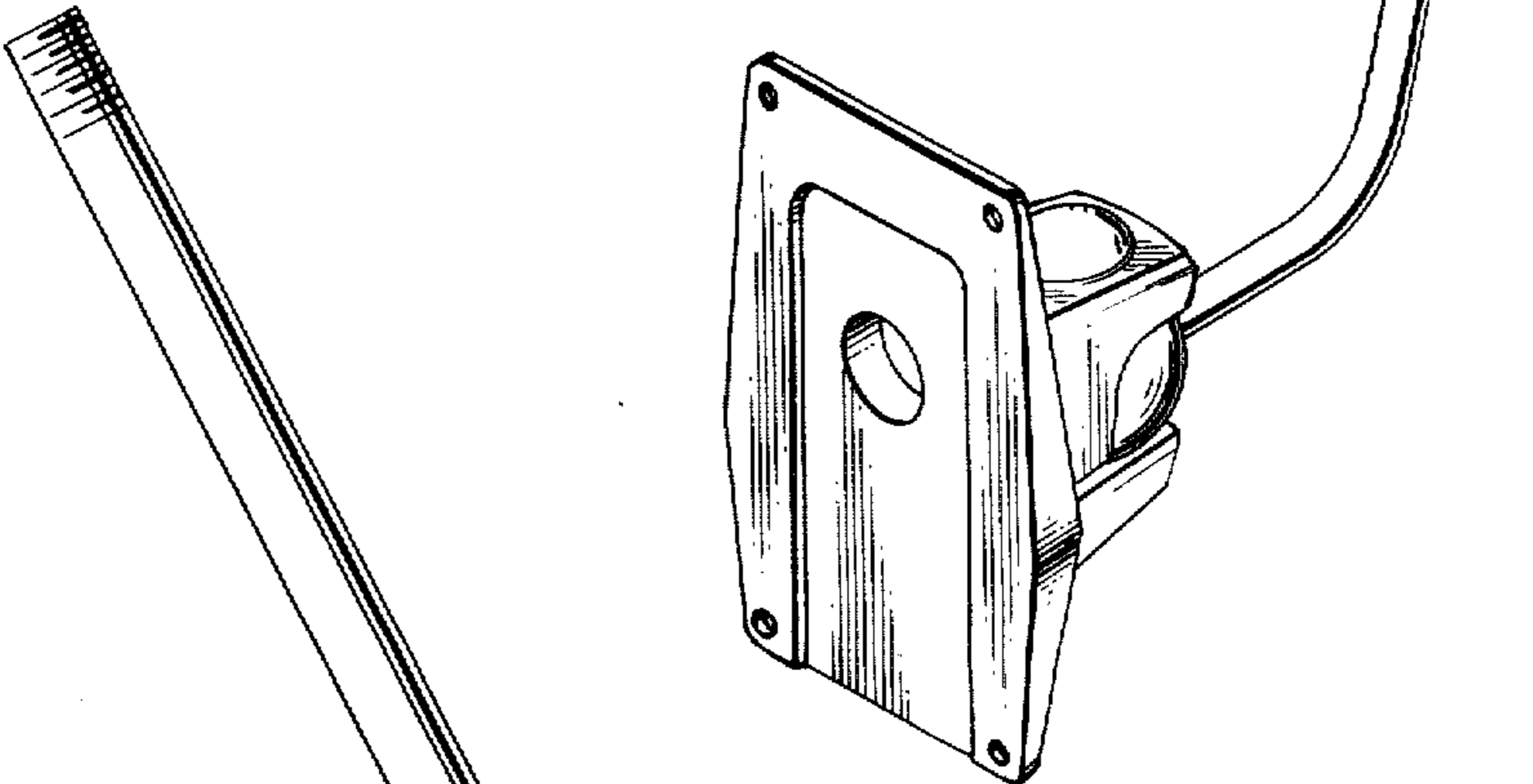


FIG. 3

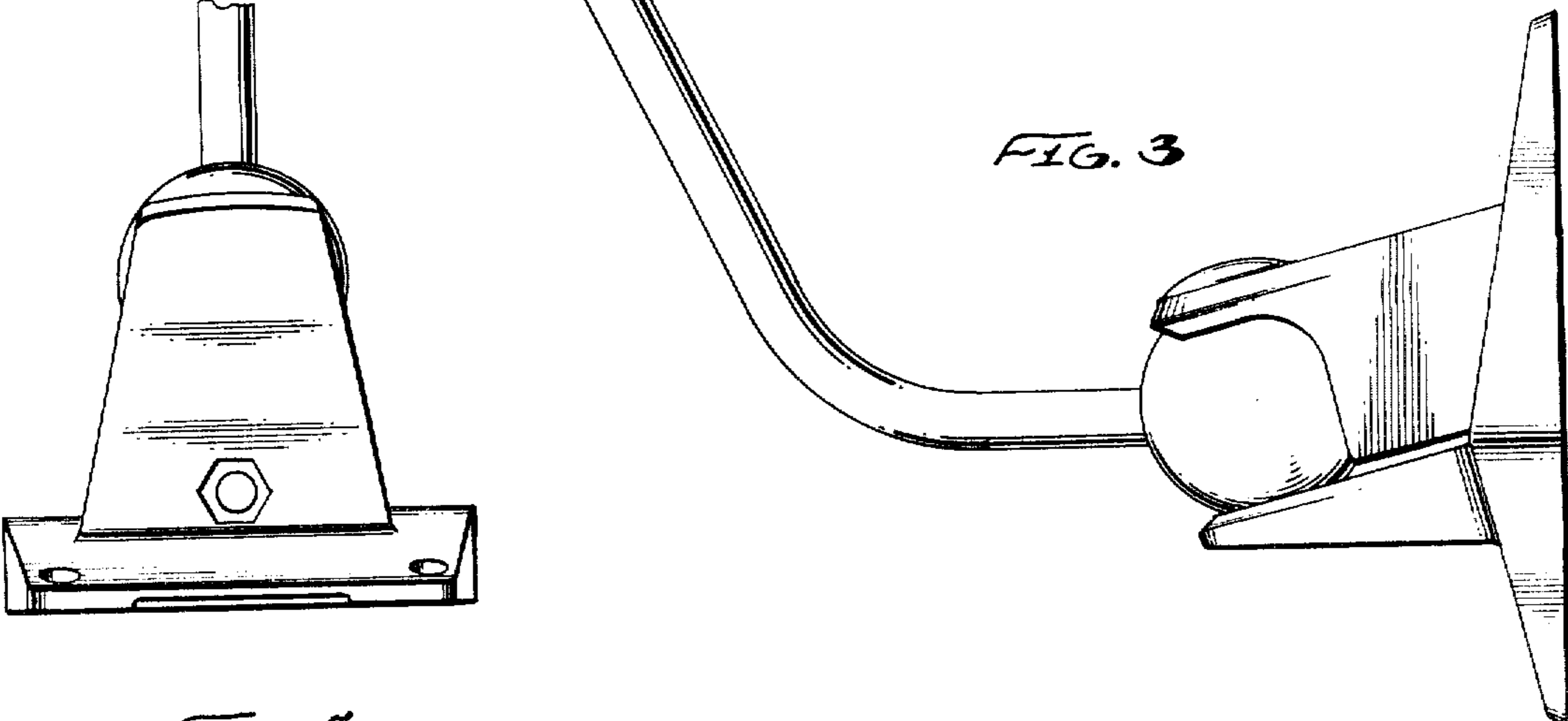


FIG. 5

