

[54] TIRE

[75] Inventor: Philippe Grenie, Chateaugay, France

[73] Assignee: Compagnie Generale des Etablissements Michelin, Clermont-Ferrand, France

[**] Term: 14 Years

[21] Appl. No.: 301,209

[22] Filed: Sep. 11, 1981

[30] Foreign Application Priority Data

Apr. 23, 1981 [FR] France 50

[51] Int. Cl. D12-15

[52] U.S. Cl. D12/147; D12/144

[58] Field of Search D12/141-151; 152/209 R, 209 WT, 209 NT, 209 D

[56] References Cited

FOREIGN PATENT DOCUMENTS

997922 2/1981 United Kingdom D12/147
997951 2/1981 United Kingdom D12/147

997952 2/1981 United Kingdom D12/147

OTHER PUBLICATIONS

1979 Tread Design Guide, p. 13, B. F. Goodrich Advantage Tire, bottom right side of page.

1979 Tread Design Guide, p. 21, Avon Turbosport Tire, bottom center of page.

Modern Tire Dealer, 10/75, p. 23, Michelin TRX Radial Tire, bottom of page.

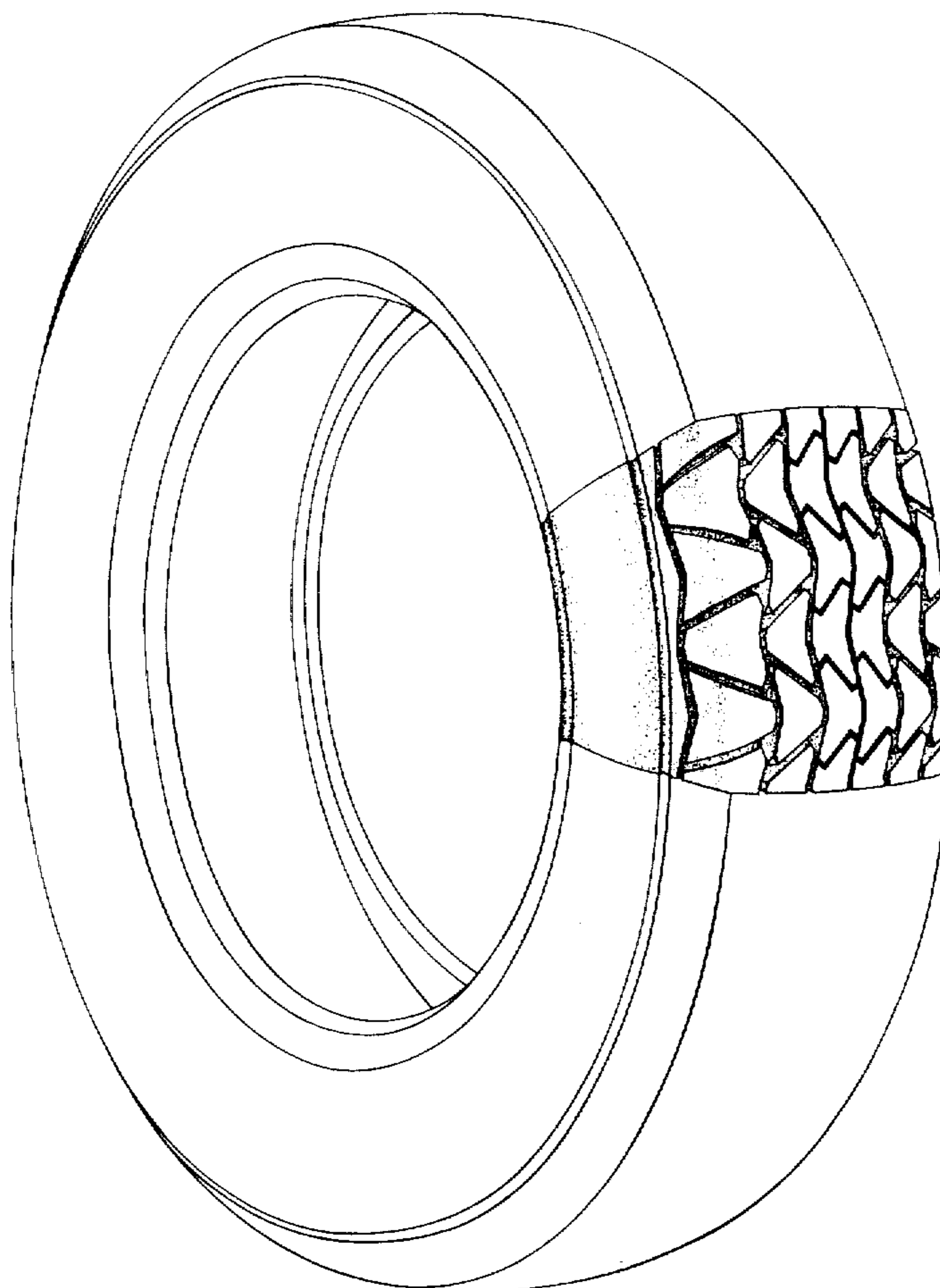
Primary Examiner—James M. Gandy
Attorney, Agent, or Firm—Brumbaugh, Graves, Donohue & Raymond

[57] CLAIM

The ornamental design for a tire, substantially as shown and described.

DESCRIPTION

The FIGURE is a perspective view of a tire showing my new design, it being understood that the tread pattern is repeated throughout the circumference of the tire, as shown schematically by solid lines, the opposite side being substantially the same as that shown.



U.S. Patent

Apr. 5, 1983

Des. 268,492

