

[54] **BICYCLE STORAGE RACK**

[75] Inventors: **John Arnott; Mark I. Campbell**, both of Toronto, Canada

[73] Assignee: **John Arnott & Associates Limited**, Toronto, Canada

[\*\*] Term: **14 Years**

[21] Appl. No.: **169,070**

[22] Filed: **Jul. 15, 1980**

[30] **Foreign Application Priority Data**  
Apr. 21, 1980 [CA] Canada ..... 21-04-80-3

[51] Int. Cl. .... **D8-99**  
[52] U.S. Cl. .... **D12/115**  
[58] Field of Search ..... **D12/115; 211/17, 20, 211/22, 60 R**

[56] **References Cited**

**U.S. PATENT DOCUMENTS**

2,966,991 1/1961 Duffner ..... 211/60 R  
3,881,680 5/1975 Lietaert, Jr. .... D12/115

**OTHER PUBLICATIONS**

Cycle World, 12/76, p. 105, Cycle Jack, top left side of page.

J. C. Whitney Motorcycle Accessories & Parts Catalog, ©1974, p. 13, Cycle Stop, second box up from bottom right side of page.

J. C. Whitney Catalog, ©1979, p. 156, Handlebar G, top left side of page.

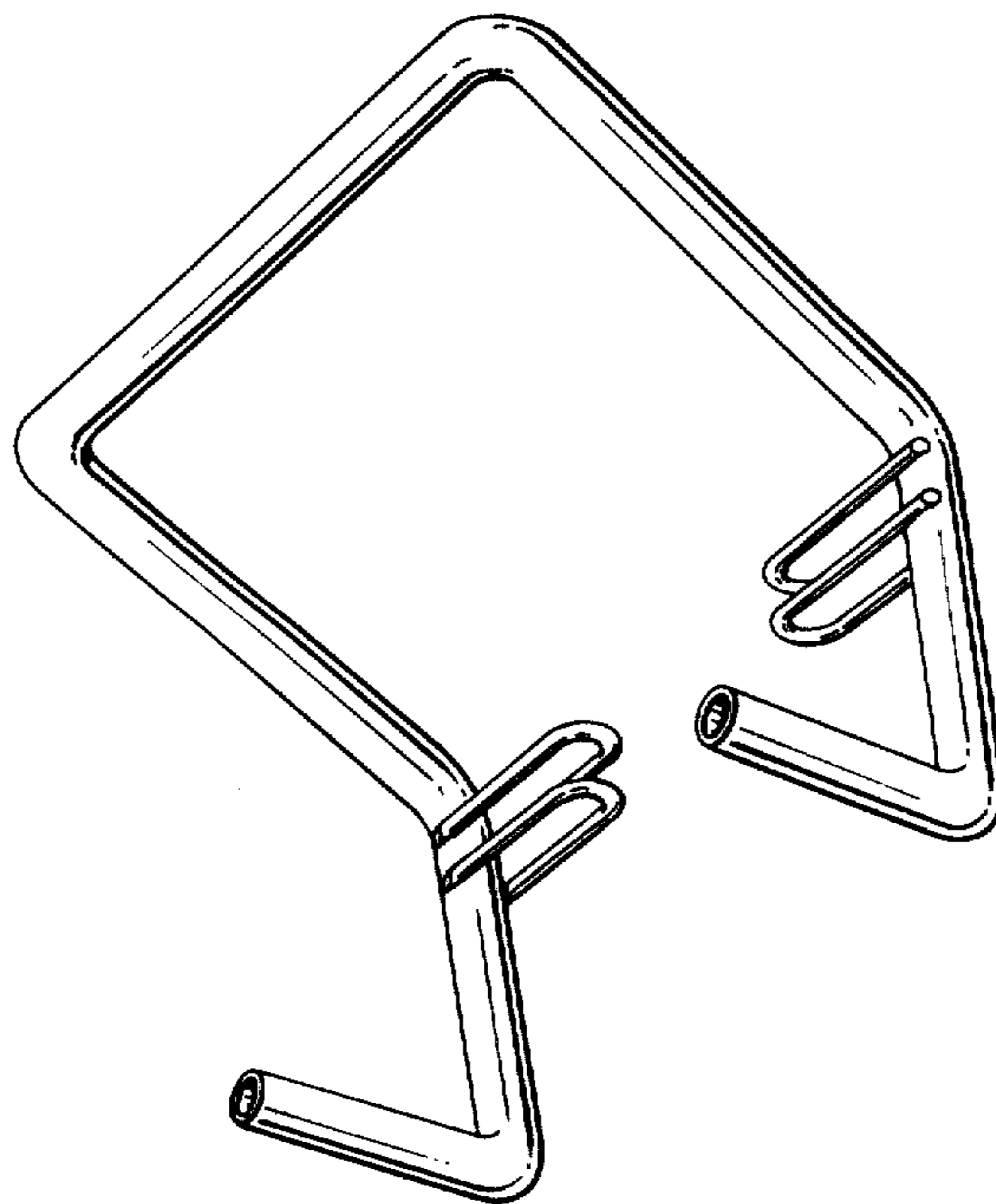
*Primary Examiner*—James M. Gandy

[57] **CLAIM**

The ornamental design for a bicycle storage rack, as shown.

**DESCRIPTION**

FIG. 1 is a top front isometric view of a bicycle storage rack showing our new design; FIG. 2 is a bottom rear isometric view thereof; and FIG. 3 is a side elevational view thereof.



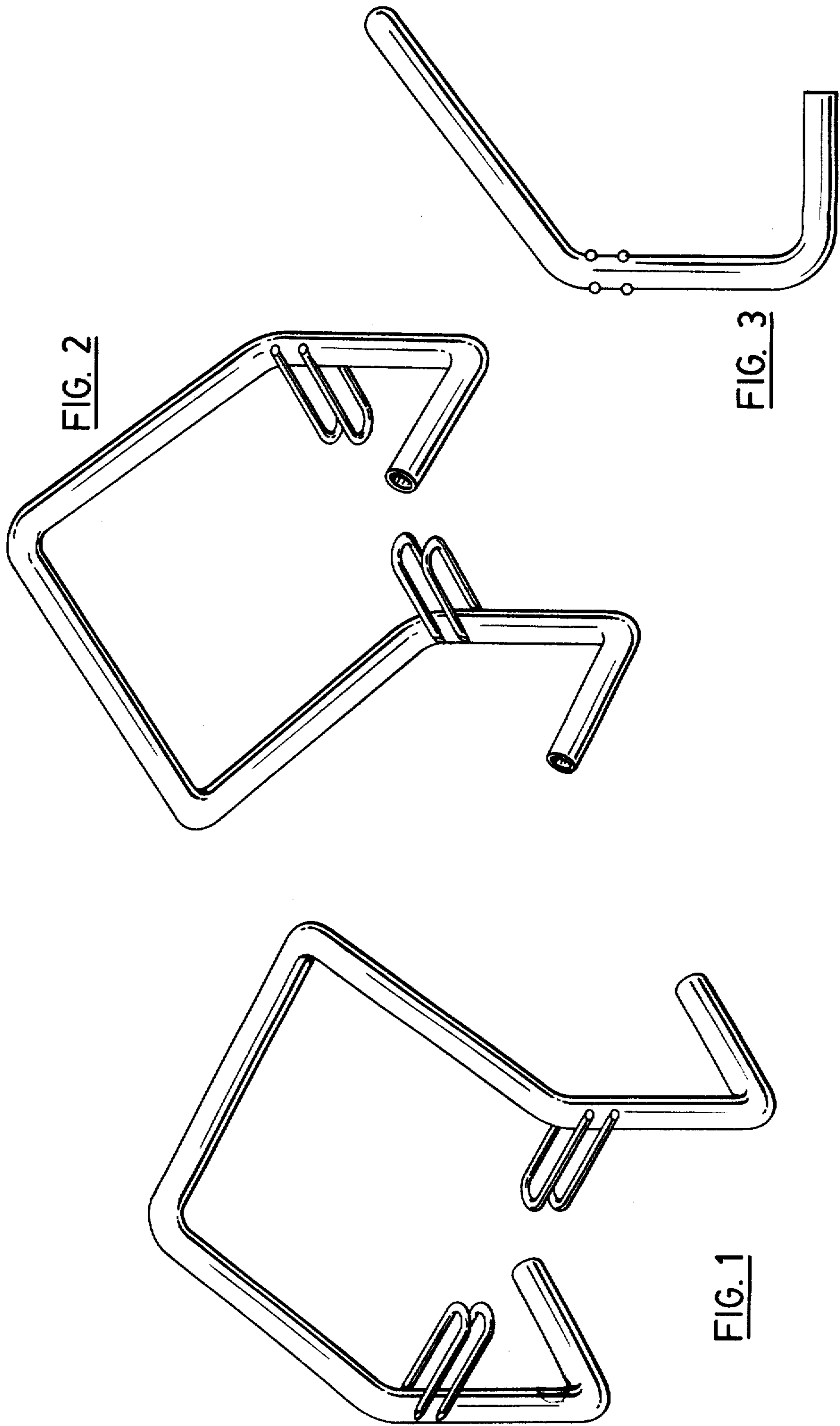


FIG. 2

FIG. 3

FIG. 1