

[54] CYCLOMETER

[75] Inventor: Roger Huret, Nanterre, France

[73] Assignee: Etablissements Huret et Ses Fils, Nanterre, France

[\*\*] Term: 14 Years

[21] Appl. No.: 4,160

[22] Filed: Jan. 17, 1979

[51] Int. Cl. .... D10-04

[52] U.S. Cl. .... D10/70; D10/97

[58] Field of Search .... D10/96, 97, 70, 102; 235/95 R, 96, 105

[56] References Cited

U.S. PATENT DOCUMENTS

- D. 29,869 12/1898 Bassett ..... D10/70
- D. 179,432 12/1956 Van Alen ..... D10/102
- D. 199,692 12/1964 Stolarz ..... D10/70 X
- D. 209,699 12/1967 Pagani ..... D10/70
- 1,497,045 6/1924 Tiunan ..... D10/70 X

FOREIGN PATENT DOCUMENTS

- 505826 8/1920 France ..... 235/95 R
- 981418 5/1951 France ..... 235/95 R

OTHER PUBLICATIONS

*American Bicyclist and Motorcyclist*, 11/78, p. 20, Cyclometer at top-left.

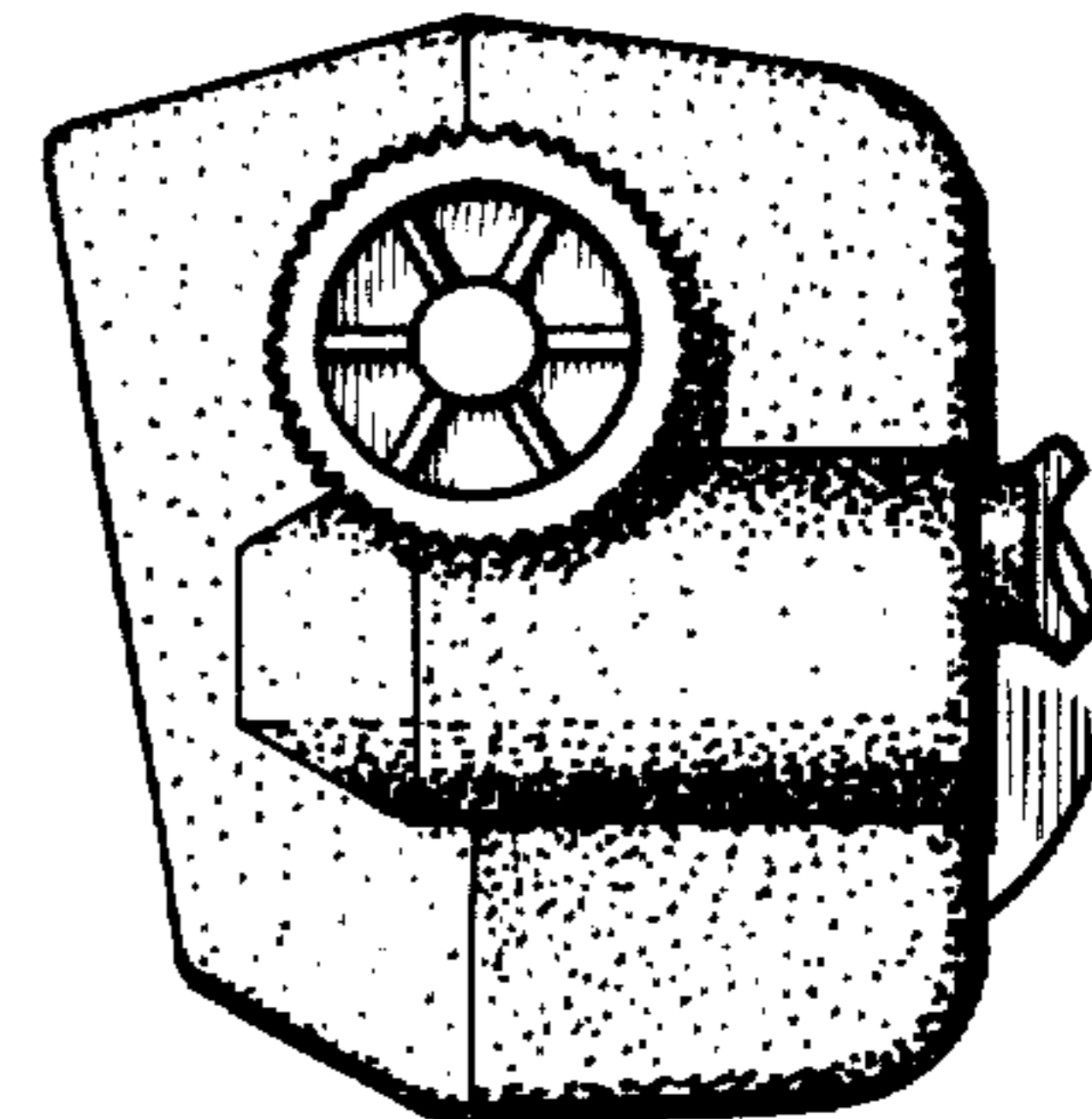
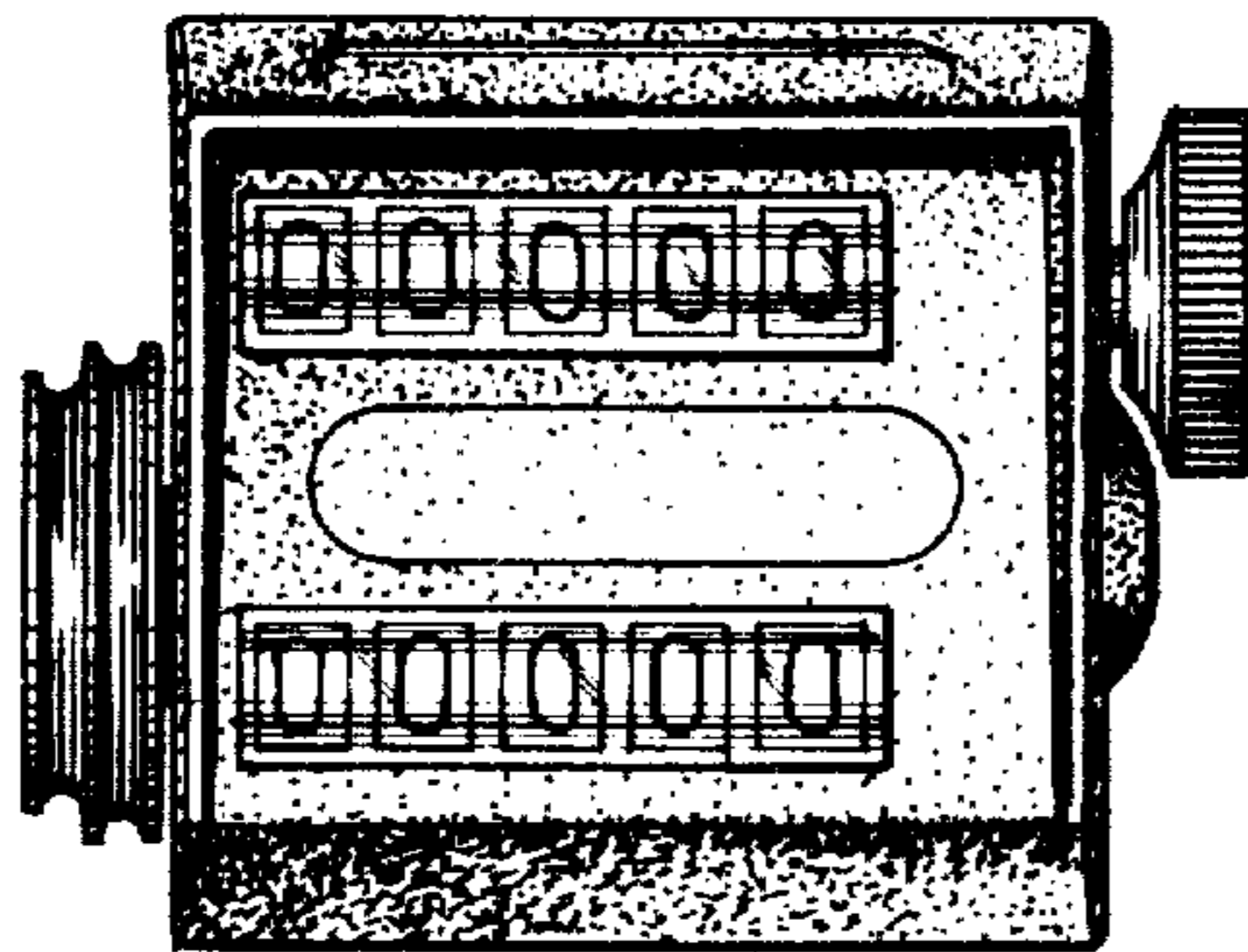
*Primary Examiner*—Nelson C. Holtje  
*Attorney, Agent, or Firm*—Wolf, Greenfield & Sacks

[57] CLAIM

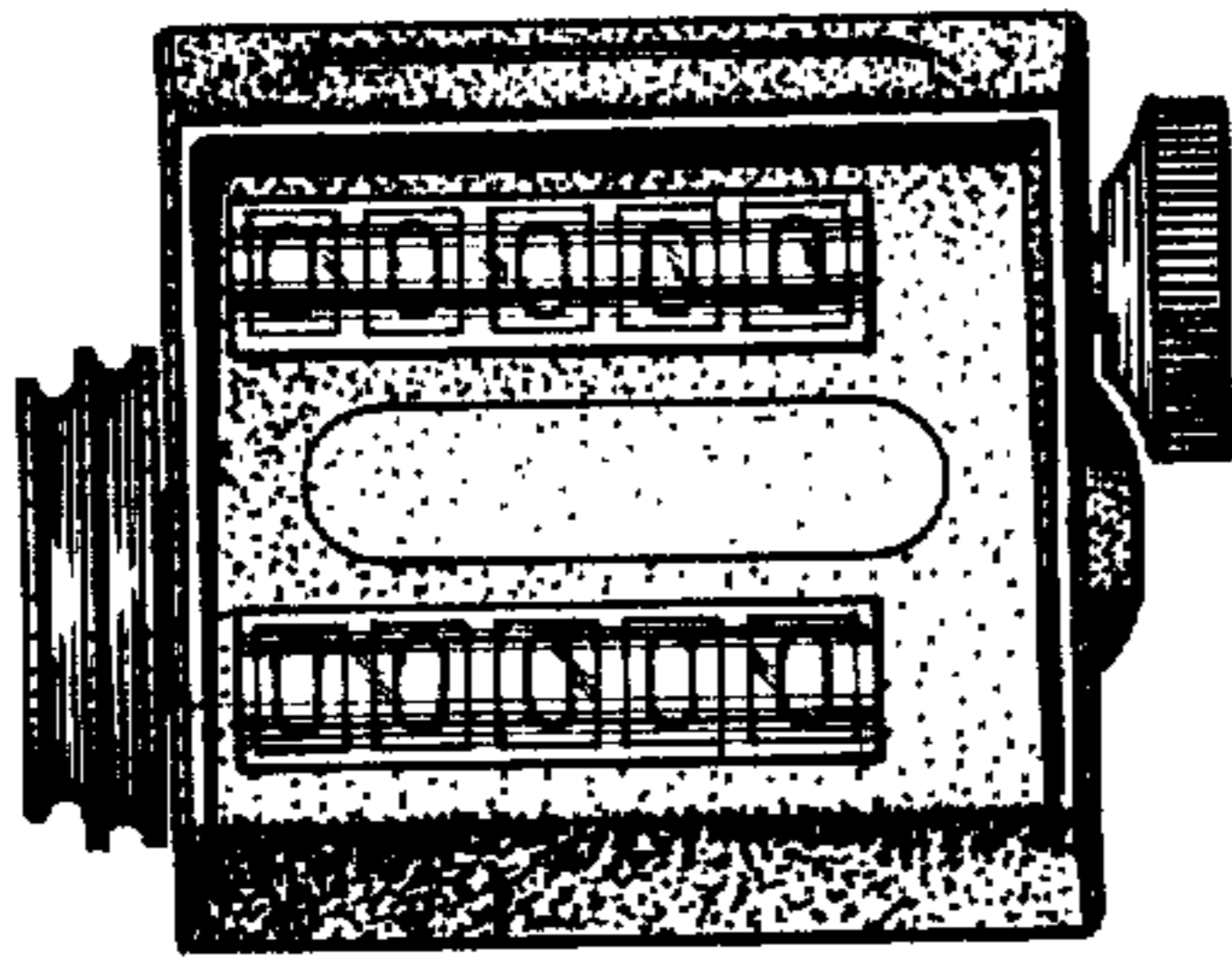
The ornamental design for a cyclometer, as shown and described.

DESCRIPTION

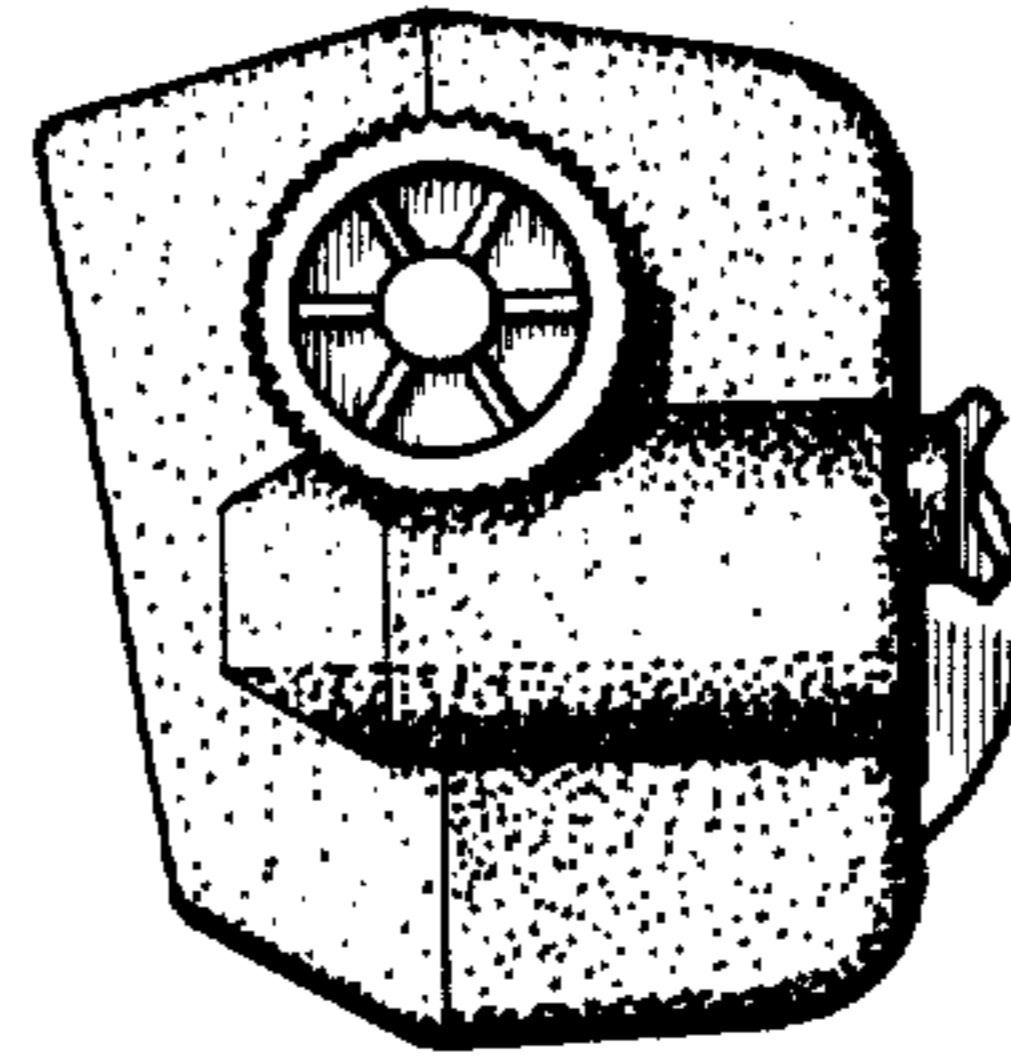
FIG. 1 is a front elevational view of a cyclometer showing my design;  
 FIG. 2 is a right side elevational view thereof;  
 FIG. 3 is a rear elevational view thereof;  
 FIG. 4 is a left side elevational view thereof;  
 FIG. 5 is a top plan view thereof; and  
 FIG. 6 is a bottom plan view thereof.



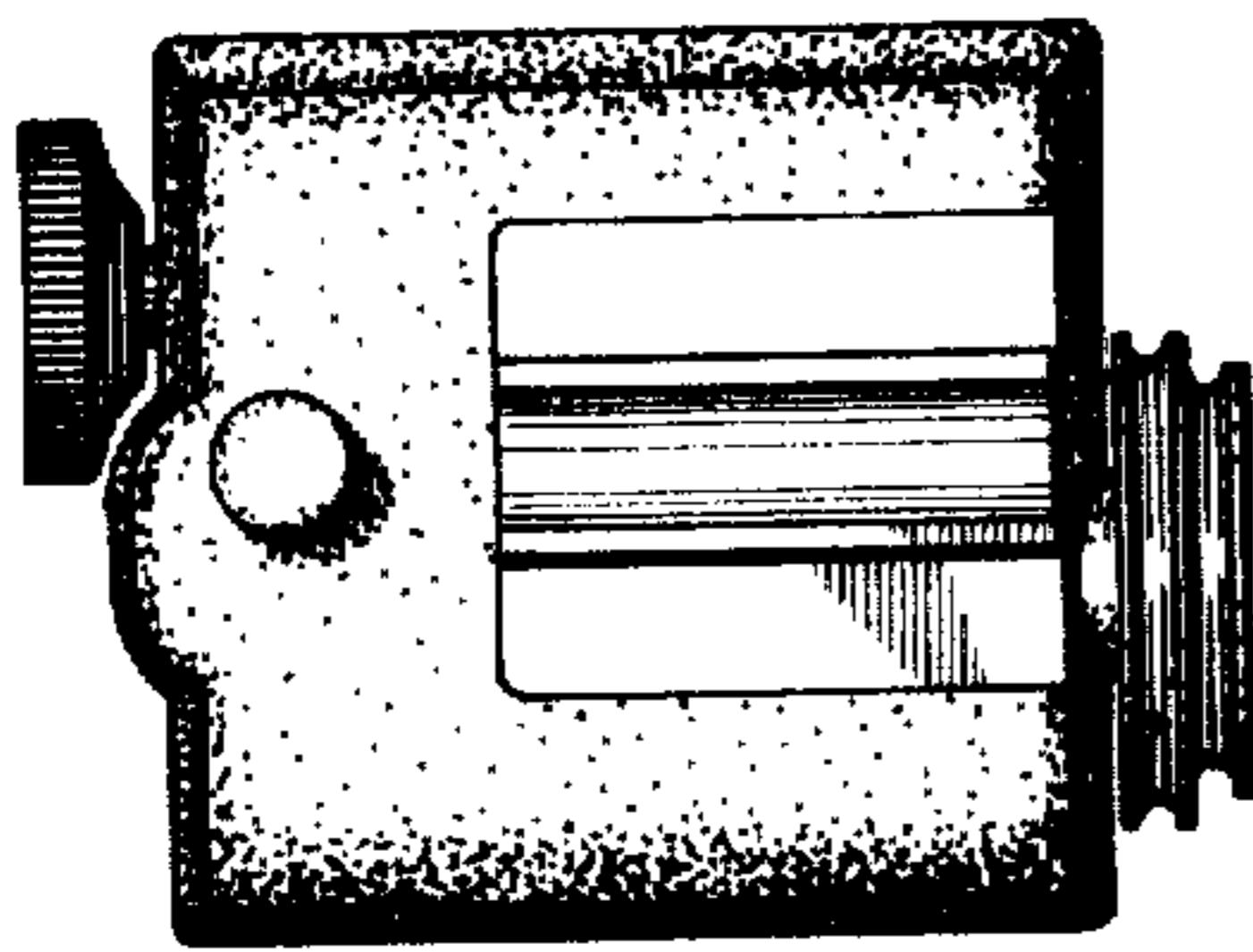
*Fig. 1*



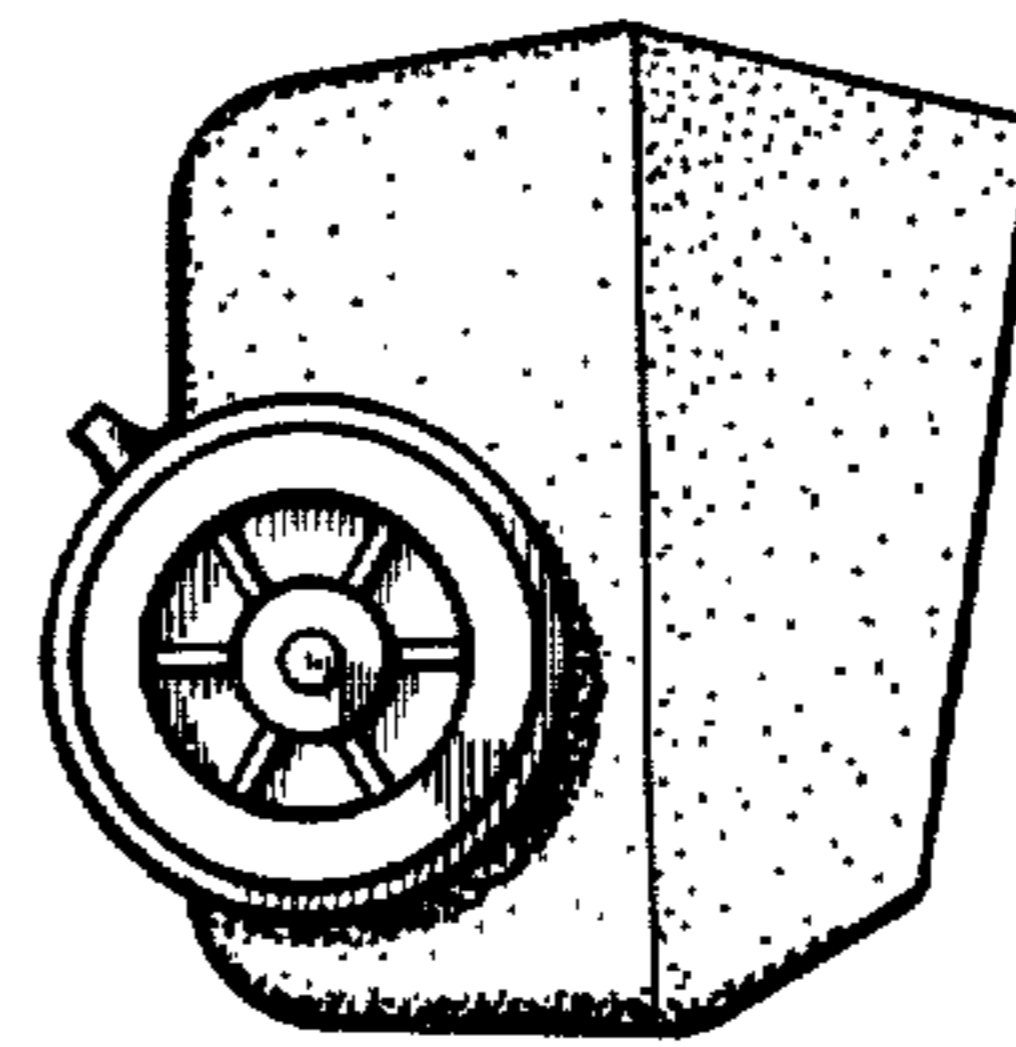
*Fig. 2*



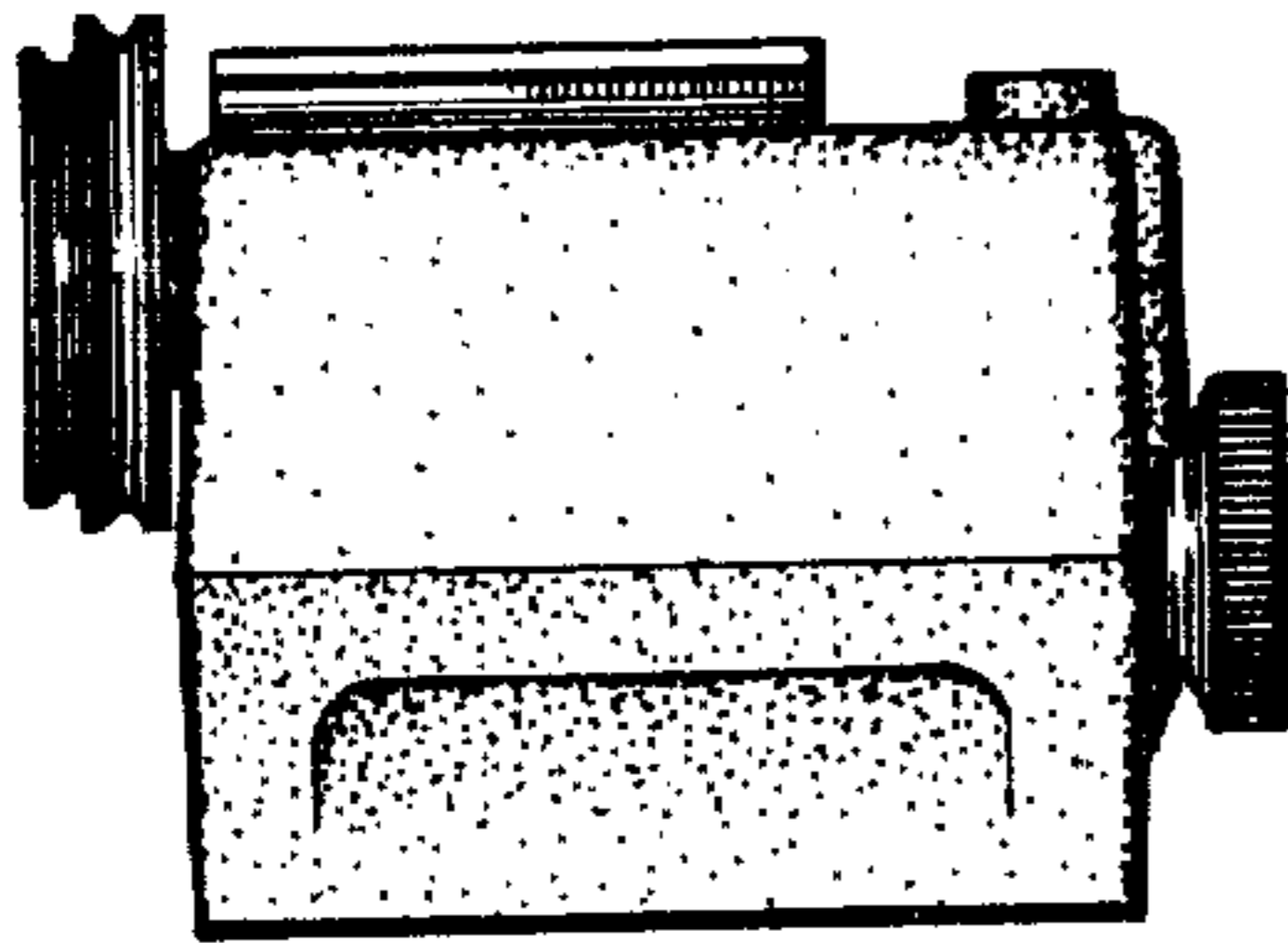
*Fig. 3*



*Fig. 4*



*Fig. 5*



*Fig. 6*

