

[54] POWER SAW GUIDE

4,281,572 8/1981 Stovall ..... 83/745

[76] Inventor: Vance Owen, P.O. Box 27536, Honolulu, Hi. 96827

[\*\*] Term: 14 Years

[21] Appl. No.: 202,170

[22] Filed: Oct. 30, 1980

[51] Int. Cl. .... D8-05; D10-04

[52] U.S. Cl. .... D8/71; D10/71

[58] Field of Search ..... D8/71; 83/745, 471.2, 83/471.3, 771; D10/71

[56] References Cited

U.S. PATENT DOCUMENTS

D. 245,668	9/1977	Bretthauer	.....	D8/71
D. 257,556	11/1980	Fulton	.....	D10/71
3,830,130	8/1974	Moore	.....	D8/71 X
4,059,038	11/1977	Rietema	.....	83/745
4,077,292	3/1978	Cole	.....	83/745

OTHER PUBLICATIONS

Sears Craftsman Tools, 1979-80 Catalog of Power and Hand Tools, p. 68, Item No. #6, Circular Angle Guides.

Primary Examiner—Bernard Ansher

Attorney, Agent, or Firm—George W. T. Loo

[57] CLAIM

The ornamental design for a power saw guide, substantially as shown and described.

DESCRIPTION

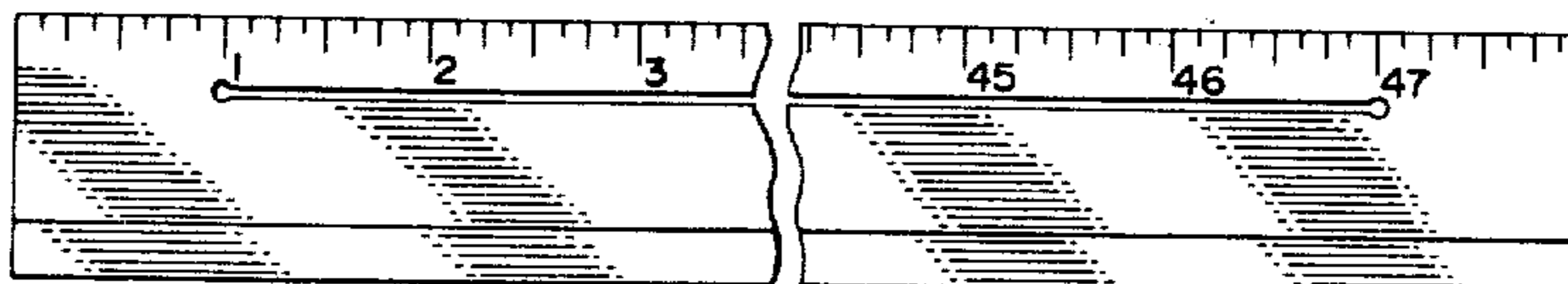
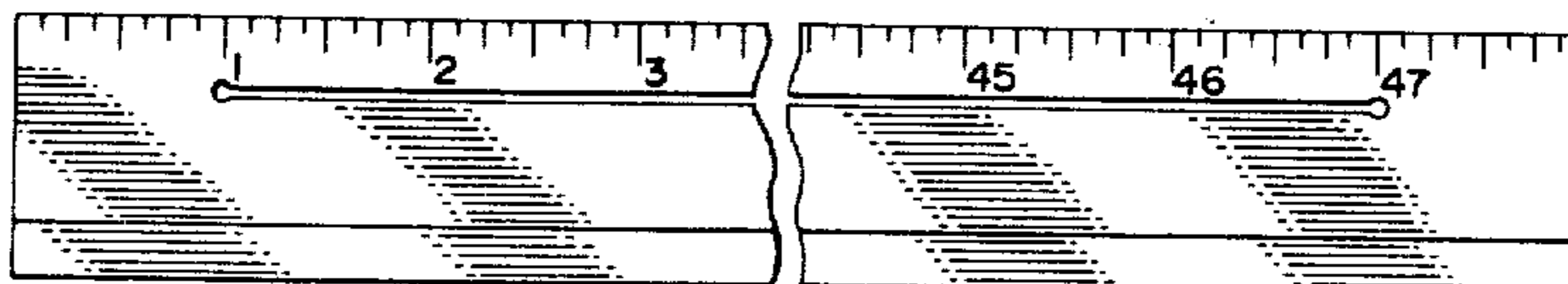
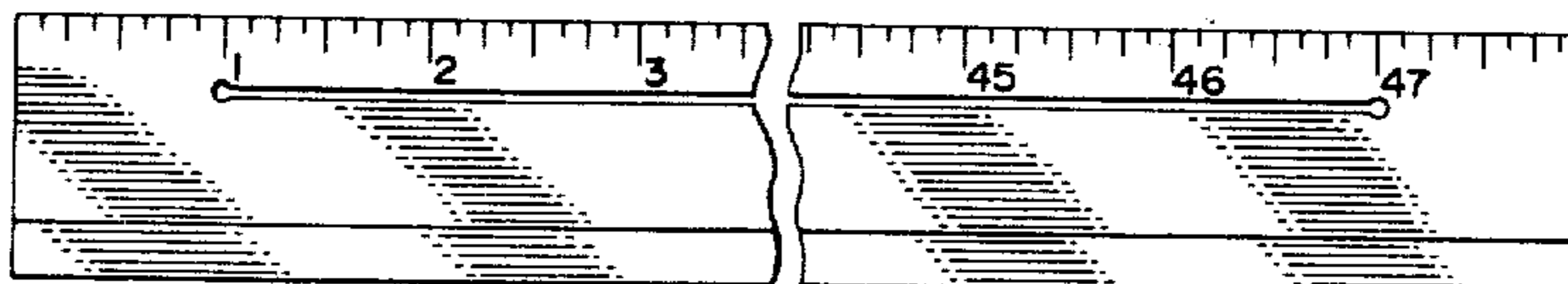
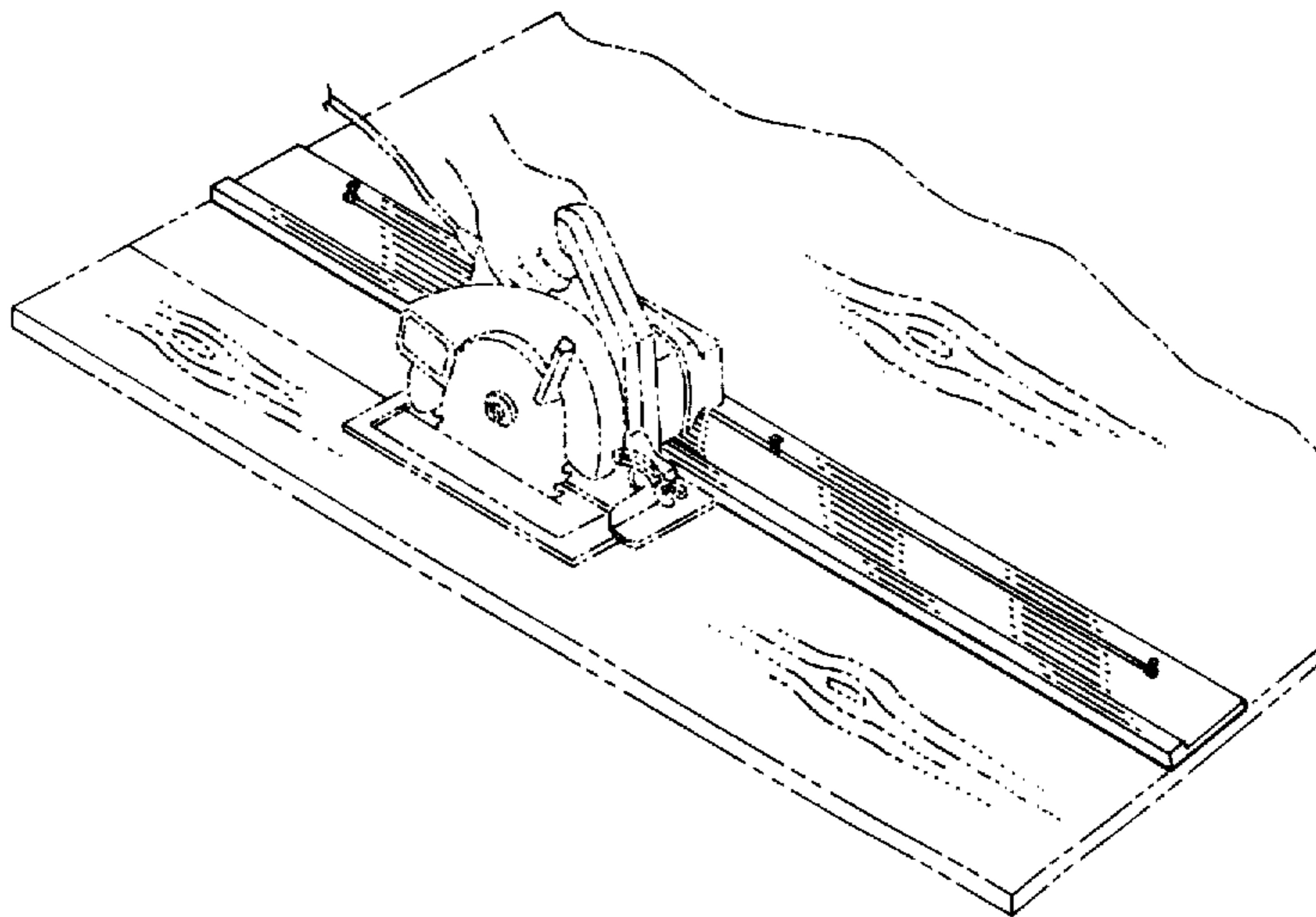
FIG. 1 is a perspective view of the power saw guide showing my new design in use;

FIG. 2 is a side elevational view thereof taken from the right side;

FIG. 3 is a top plan view thereof; and

FIG. 4 is a bottom plan view thereof.

The broken lines are shown for illustrative purposes only.



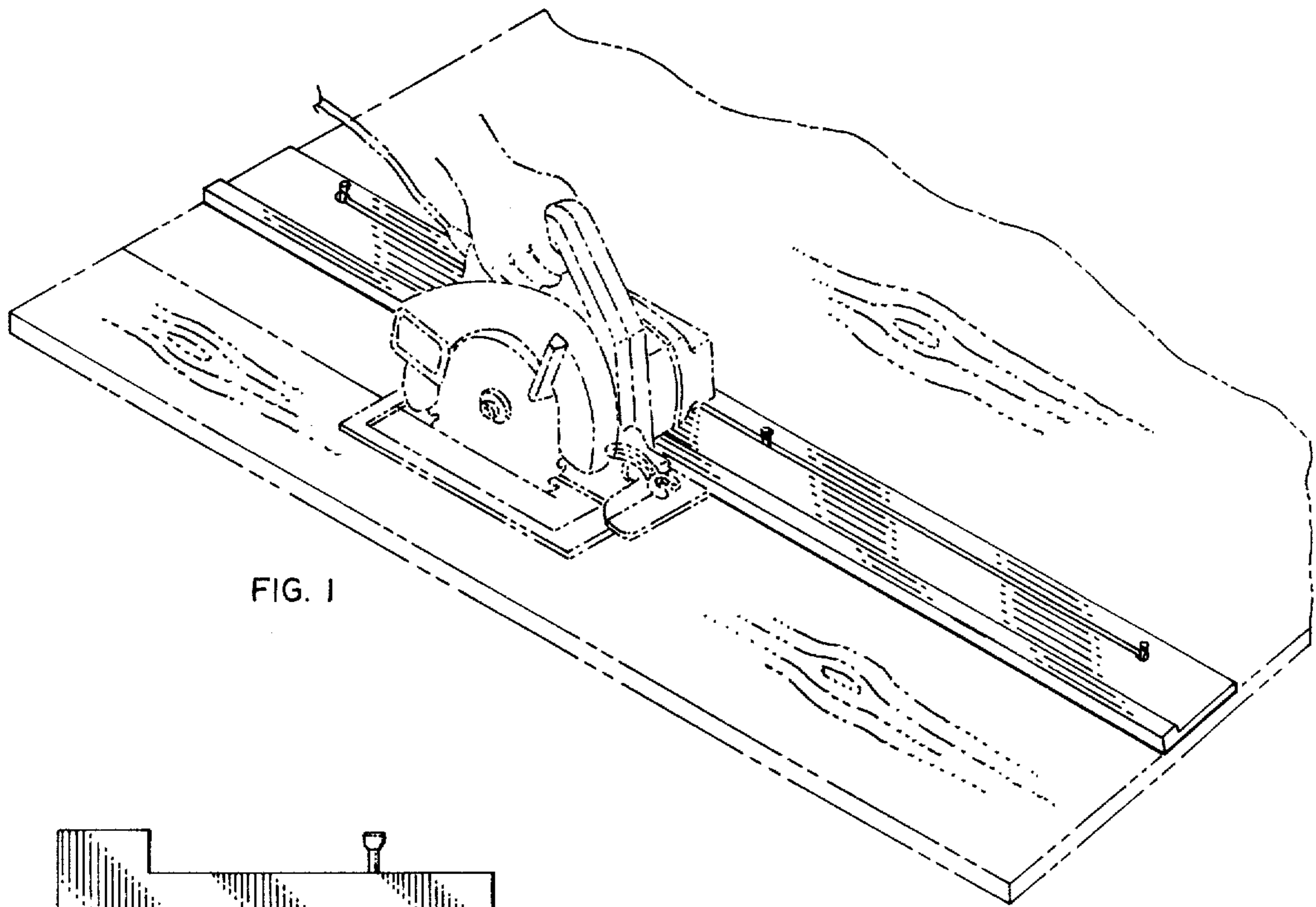


FIG. 1

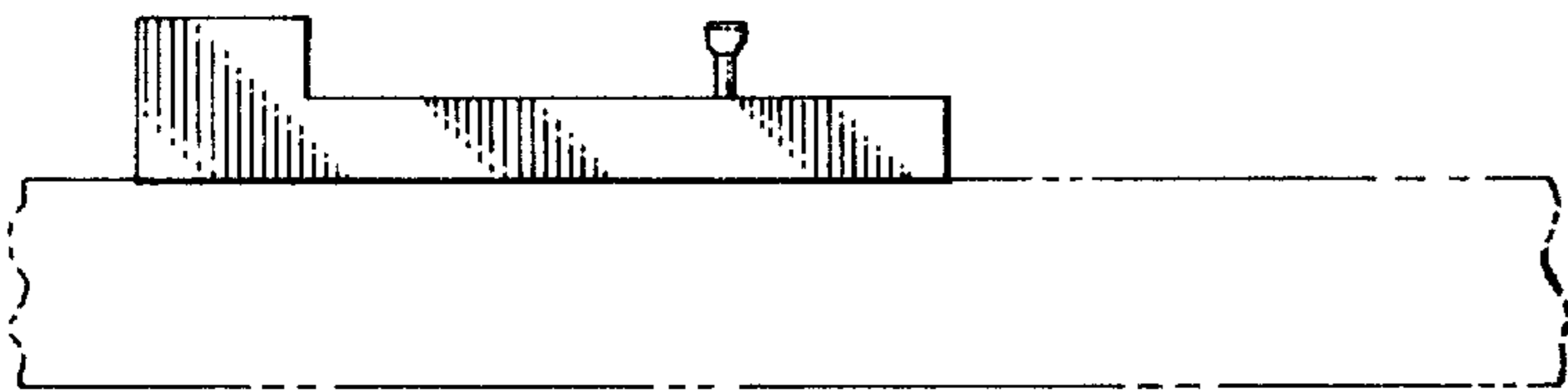


FIG. 2

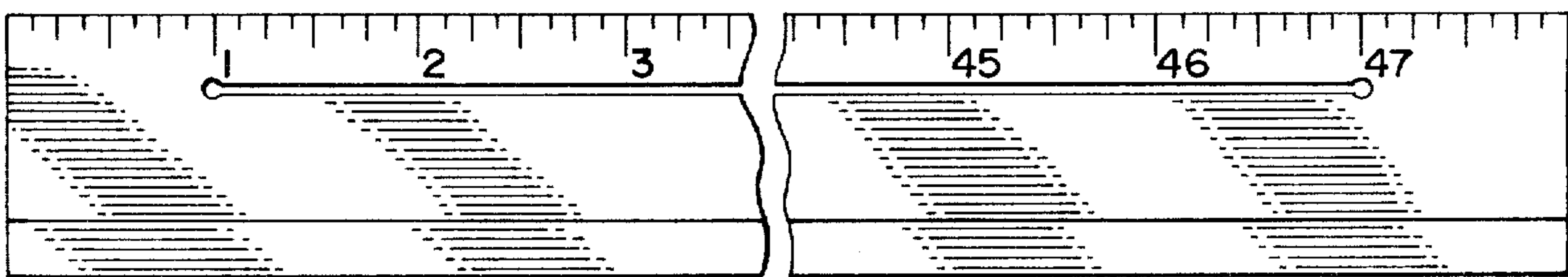


FIG. 3

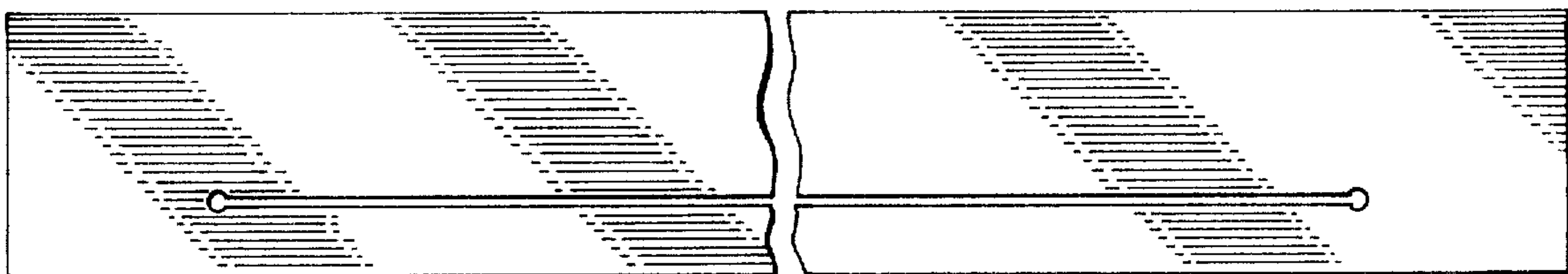


FIG. 4