

[54] HOT AIR SUPPLY TYPE ELECTRIC OVEN

[75] Inventor: Nishikawa Hideo, Osaka, Japan

[73] Assignee: Imanishi Flexible Tube Mfg. Co. Ltd., Japan

[\*\*] Term: 14 Years

[21] Appl. No.: 179,512

[22] Filed: Aug. 19, 1980

[30] Foreign Application Priority Data

Apr. 23, 1980 [JP] Japan ..... 55-16340

[51] Int. Cl. .... D7-02

[52] U.S. Cl. .... D7/348

[58] Field of Search ..... D7/126; 219/400; 126/21 R, 21 A

[56] References Cited

U.S. PATENT DOCUMENTS

D. 262,349 12/1981 Rinalbi ..... D7/126

D. 262,683 1/1982 Assmann ..... D7/126 X  
2,466,349 4/1949 Anderson ..... 219/400 X  
2,523,796 9/1950 Weeks ..... 219/400  
4,226,178 10/1980 Geissler et al. .... 126/21 A X

Primary Examiner—Catherine E. Kemper  
Attorney, Agent, or Firm—McGlew and Tuttle

[57] CLAIM

The ornamental design for a hot air supply type electric oven, as shown and described.

DESCRIPTION

FIG. 1 is a front elevation of a hot air supply type electric oven showing my new design; FIG. 2 is a rear elevation thereof; FIG. 3 is a plan view thereof; FIG. 4 is a bottom view thereof; FIG. 5 is a right side view thereof; FIG. 6 is a left side view thereof; and FIG. 7 is a perspective view of an oven showing my new design, where the base and the outer case to be mounted thereon are separated one from the other.

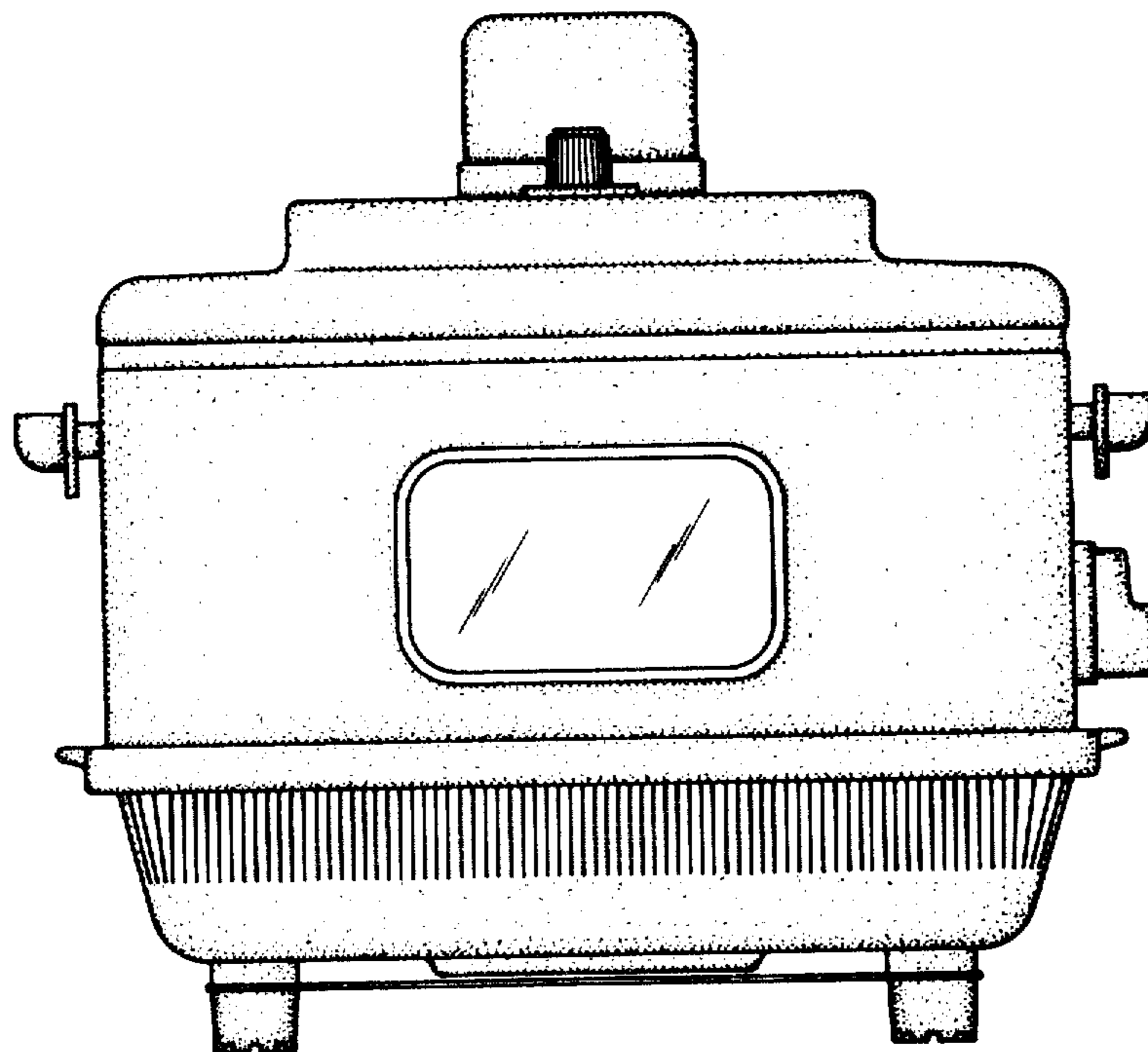


FIG. 1

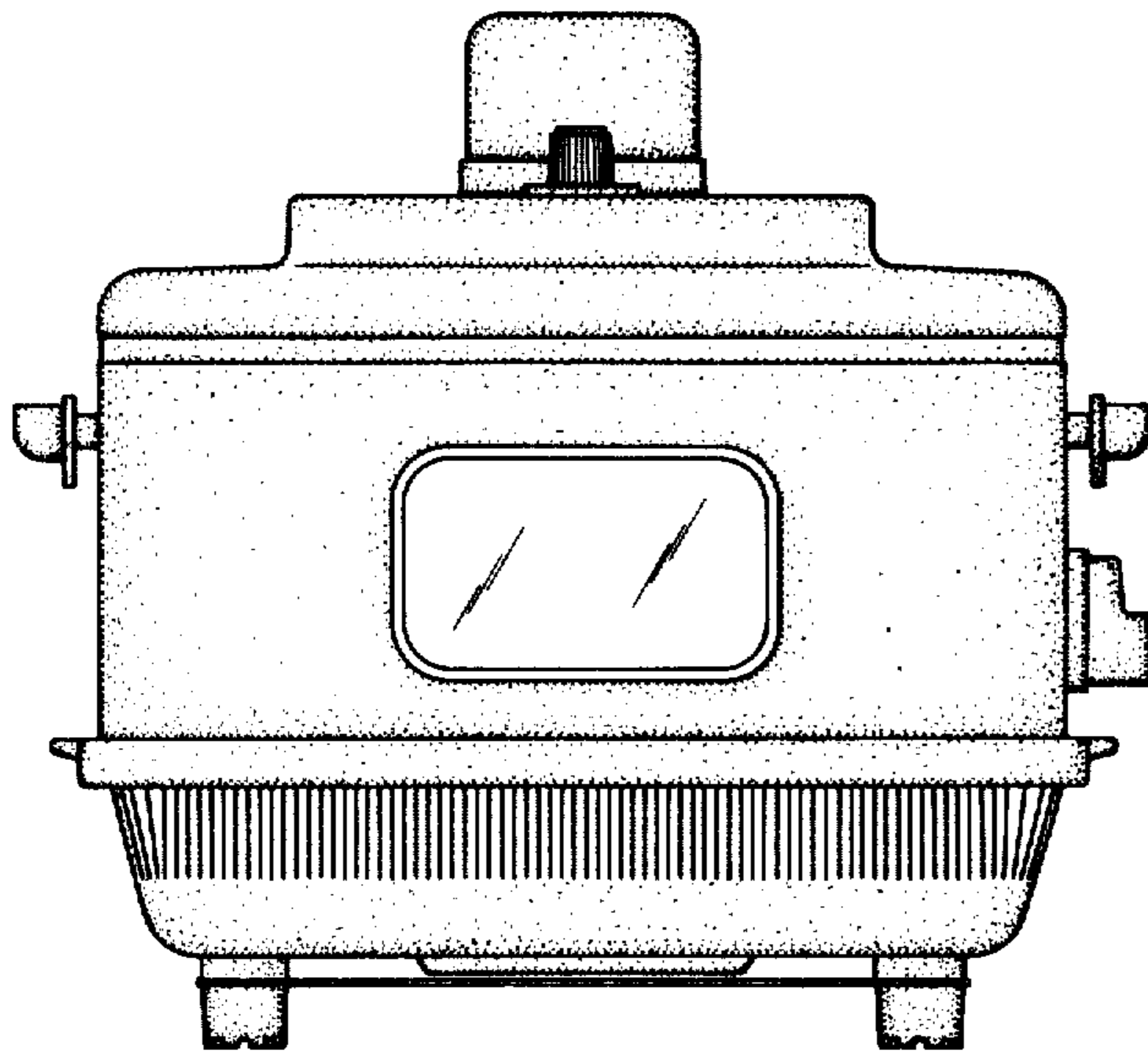


FIG. 2

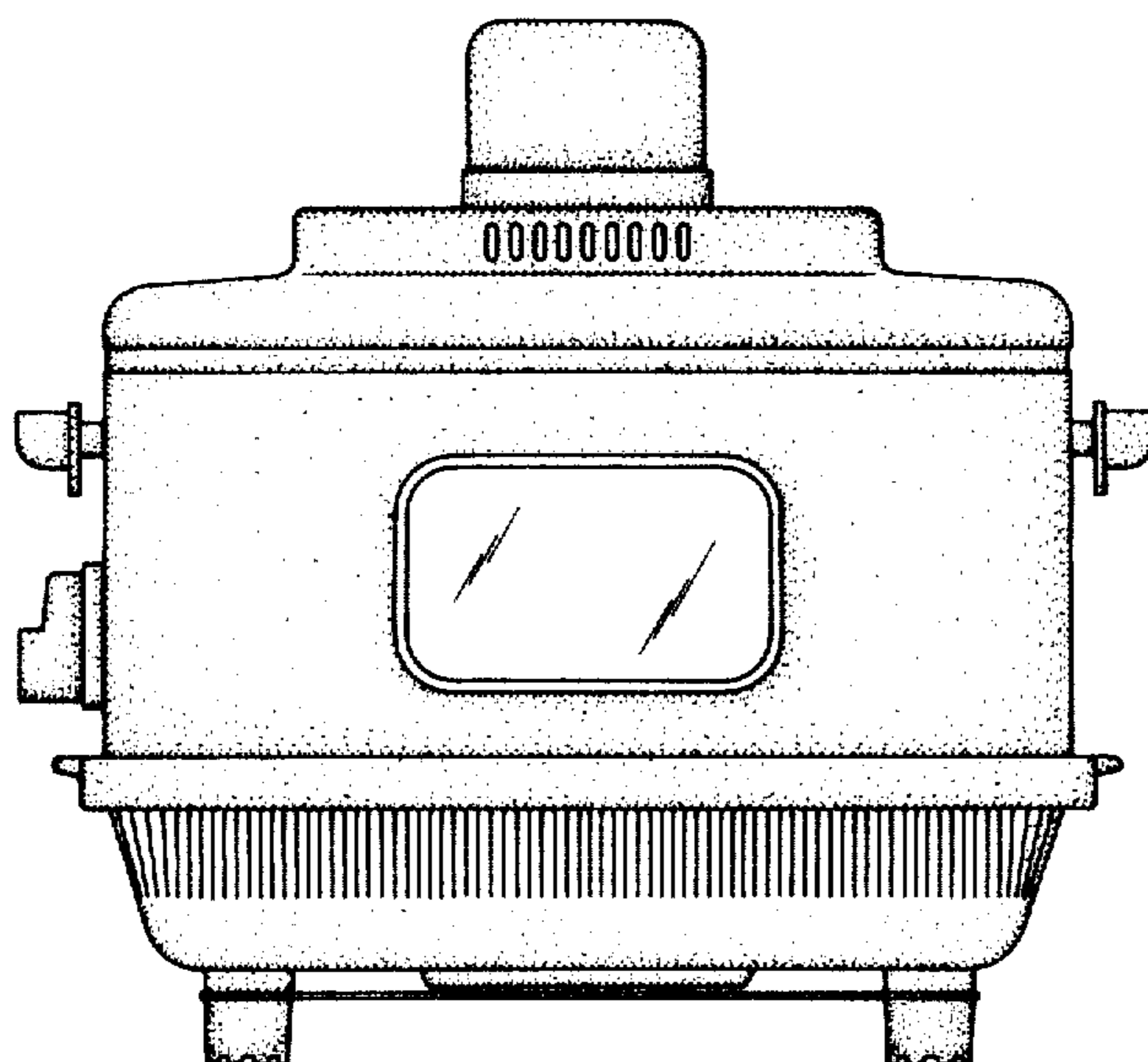


FIG.3

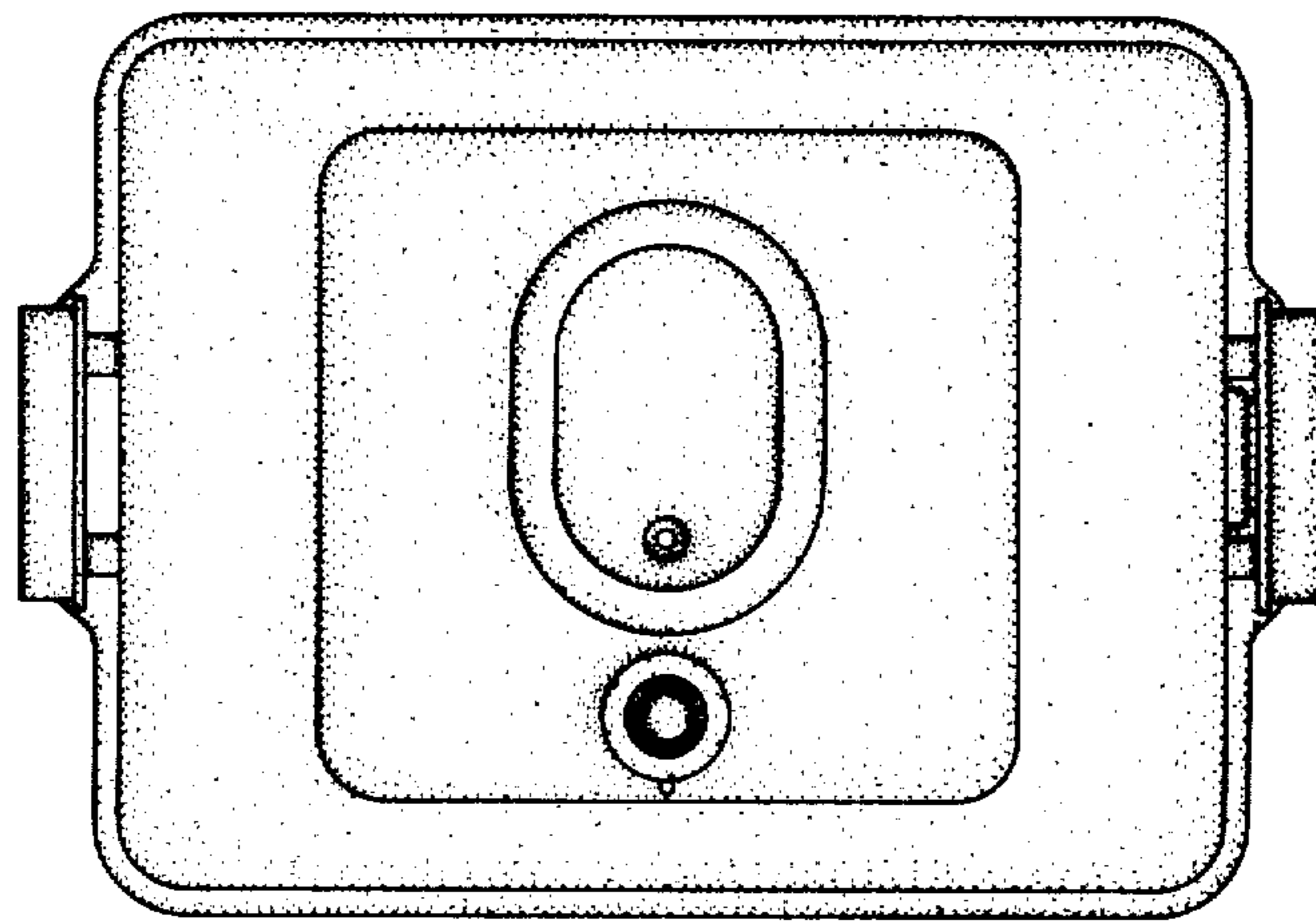


FIG.4

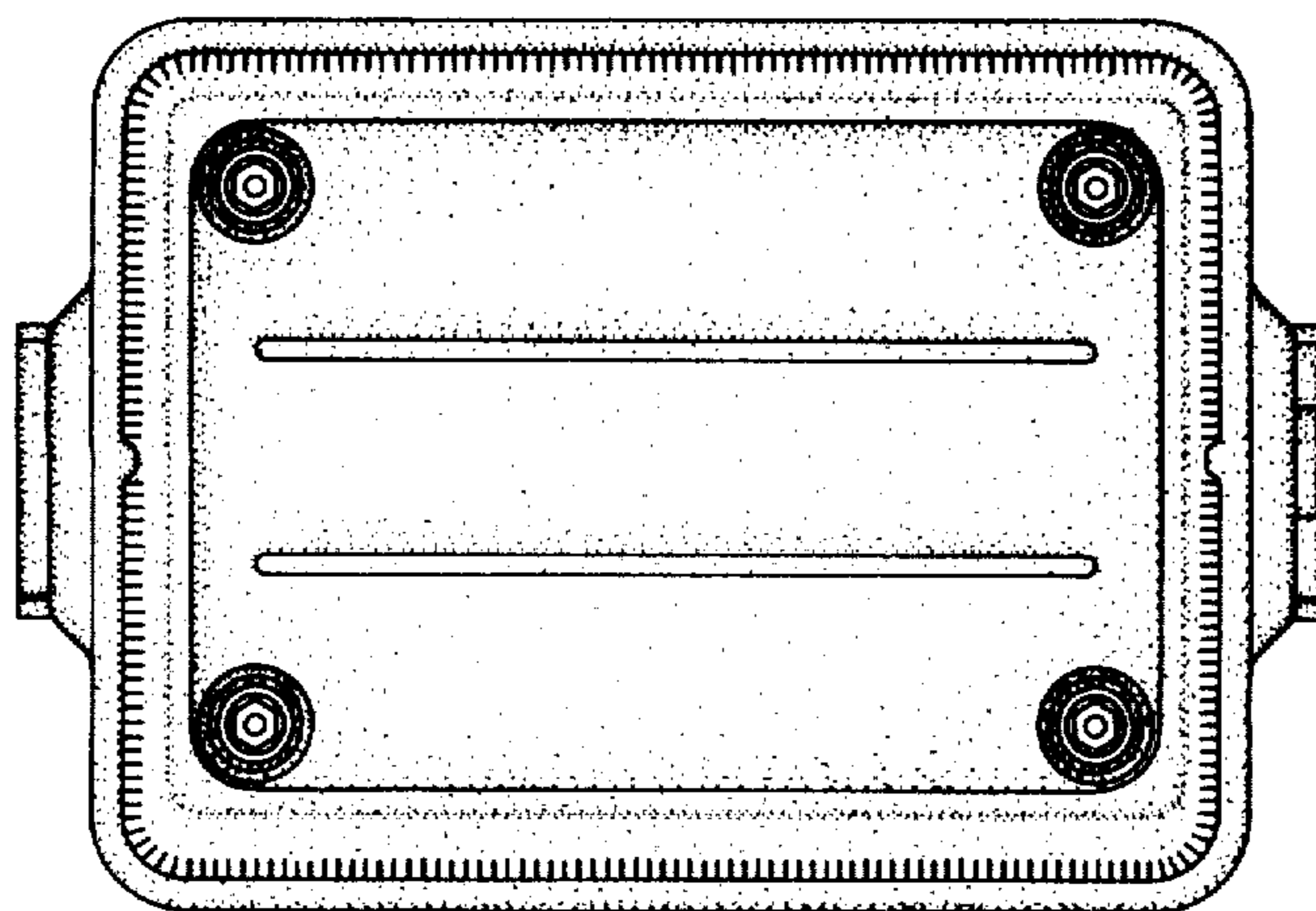


FIG.5

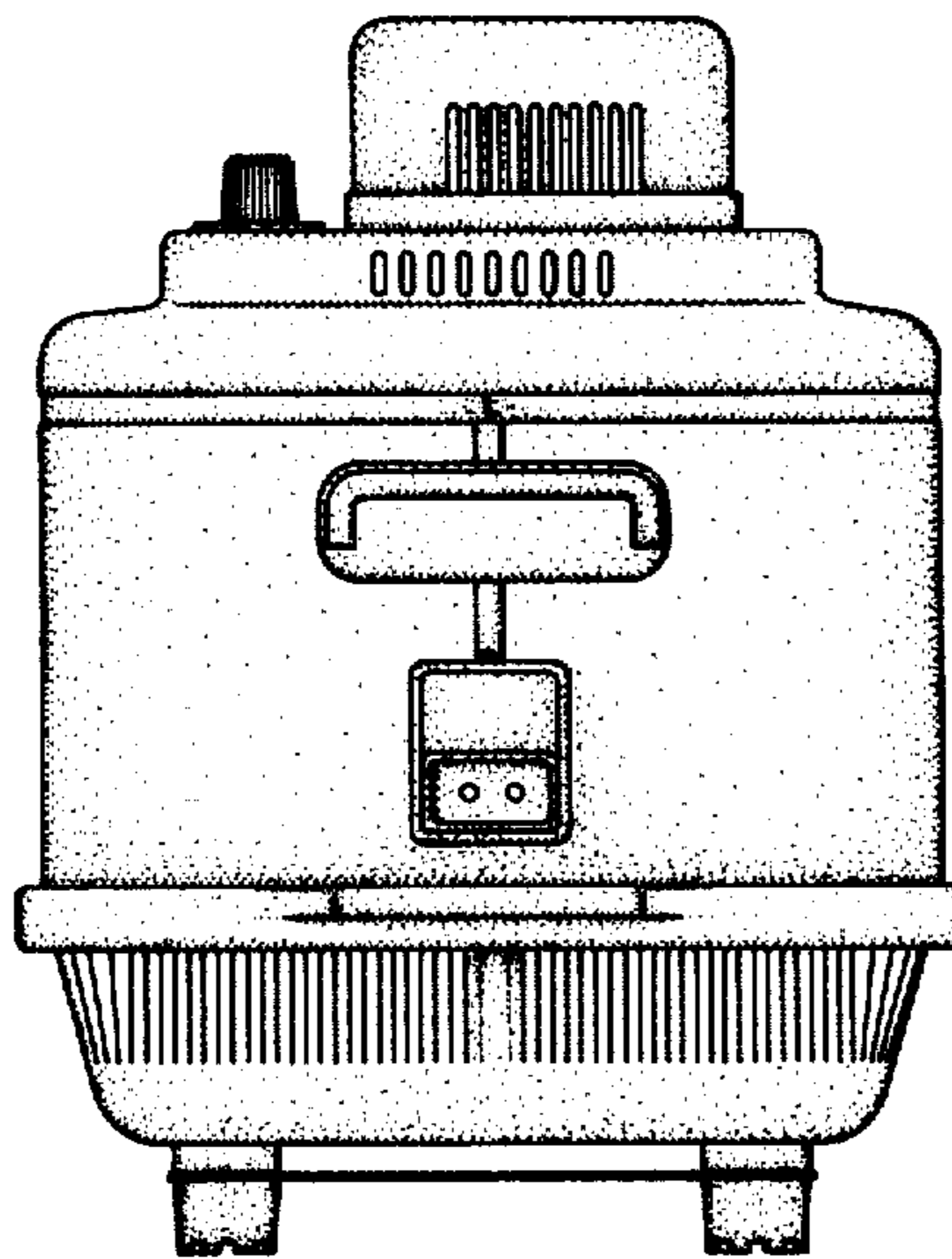


FIG.6

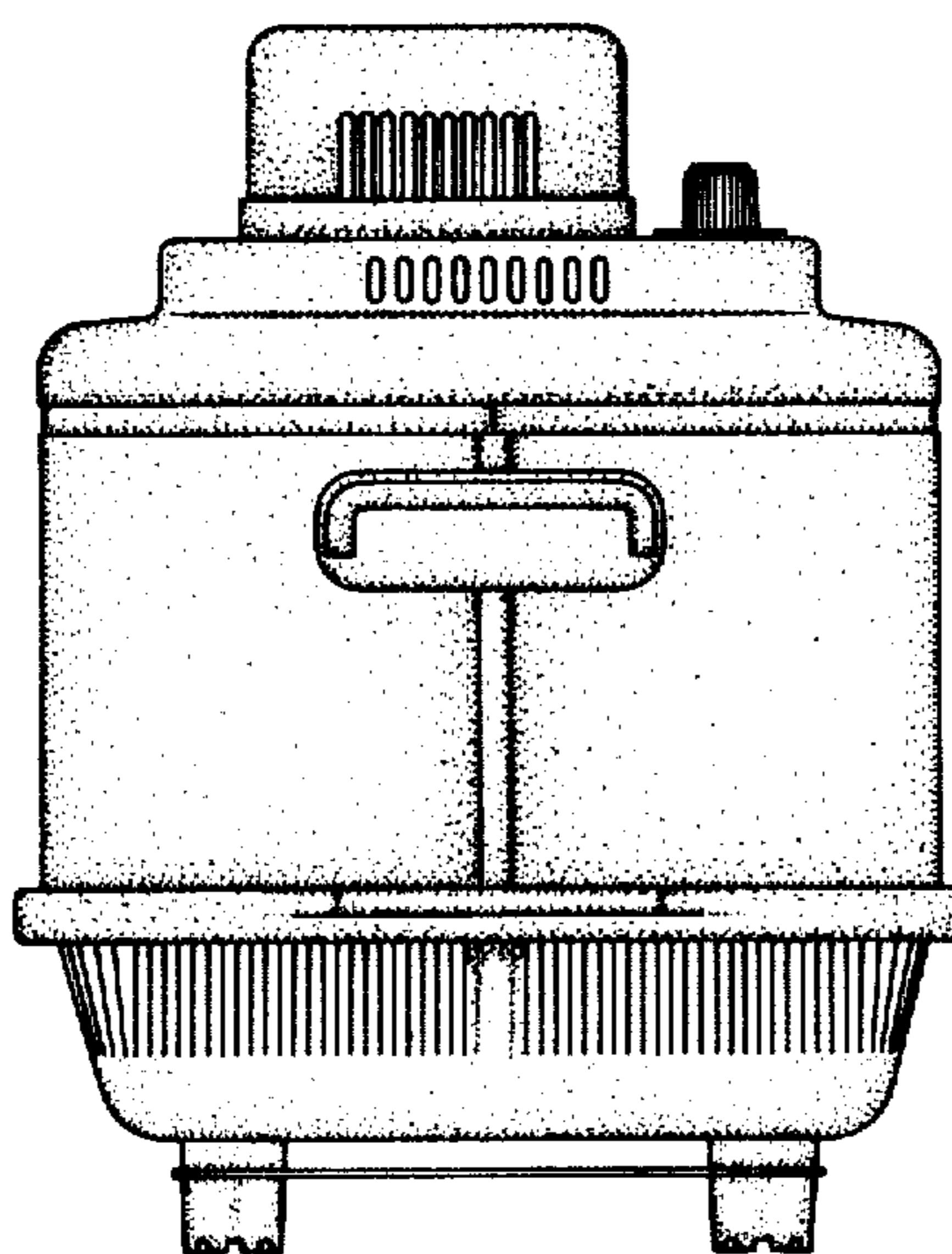


FIG. 7

