

[54] **CASSEROLE COOKING APPLIANCE**

[75] Inventor: **Dan E. Gremonprez, West Bend, Wis.**

[73] Assignee: **Dart Industries, Inc., Northbrook, Ill.**

[**] Term: **14 Years**

[21] Appl. No.: **243,023**

[22] Filed: **Mar. 12, 1981**

[51] Int. Cl. **D07-02**

[52] U.S. Cl. **D7/355; D7/352; D7/360**

[58] Field of Search **D7/85, 94, 97, 96, 86**

[56] **References Cited**

U.S. PATENT DOCUMENTS

D. 206,389	12/1966	Ernest	D7/94
D. 232,148	7/1974	Yarrington	D7/94
D. 256,760	9/1980	Rinaldi	D7/94
4,270,067	5/1981	Thomas et al.	D7/94 X

OTHER PUBLICATIONS

House & Garden, May 1973, p. 155, West Bend Electric Covered Skillet shown, right middle item.

Regal Ware, Inc. Supplement to HFD, Jan. 1, 1979, Sec. One, Retailing Home Furnishings, p. 3, stainless, handles on pot, lower half of page-left top.

Kitchen Craft-Product of West Bend, Elec. Liquid Core Skillet.

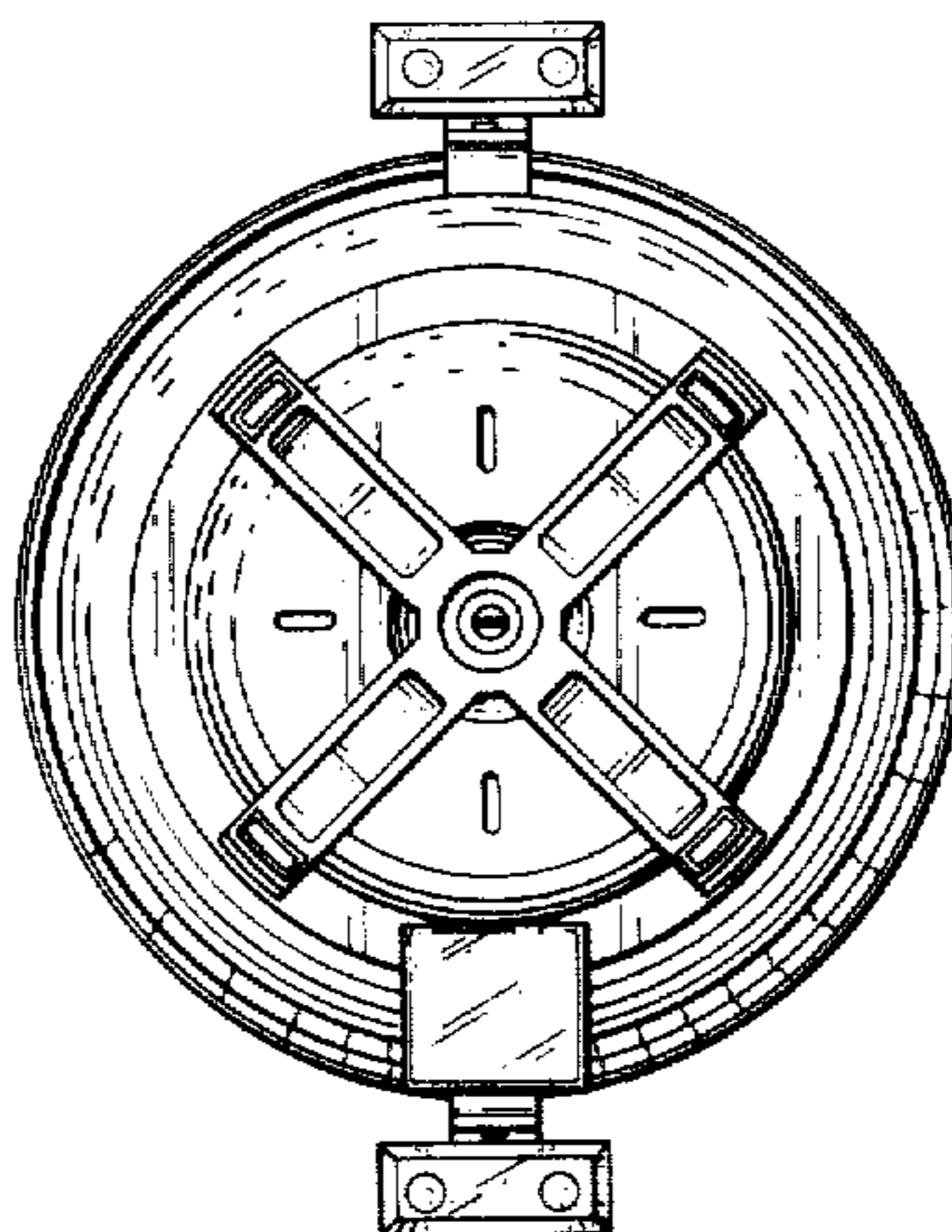
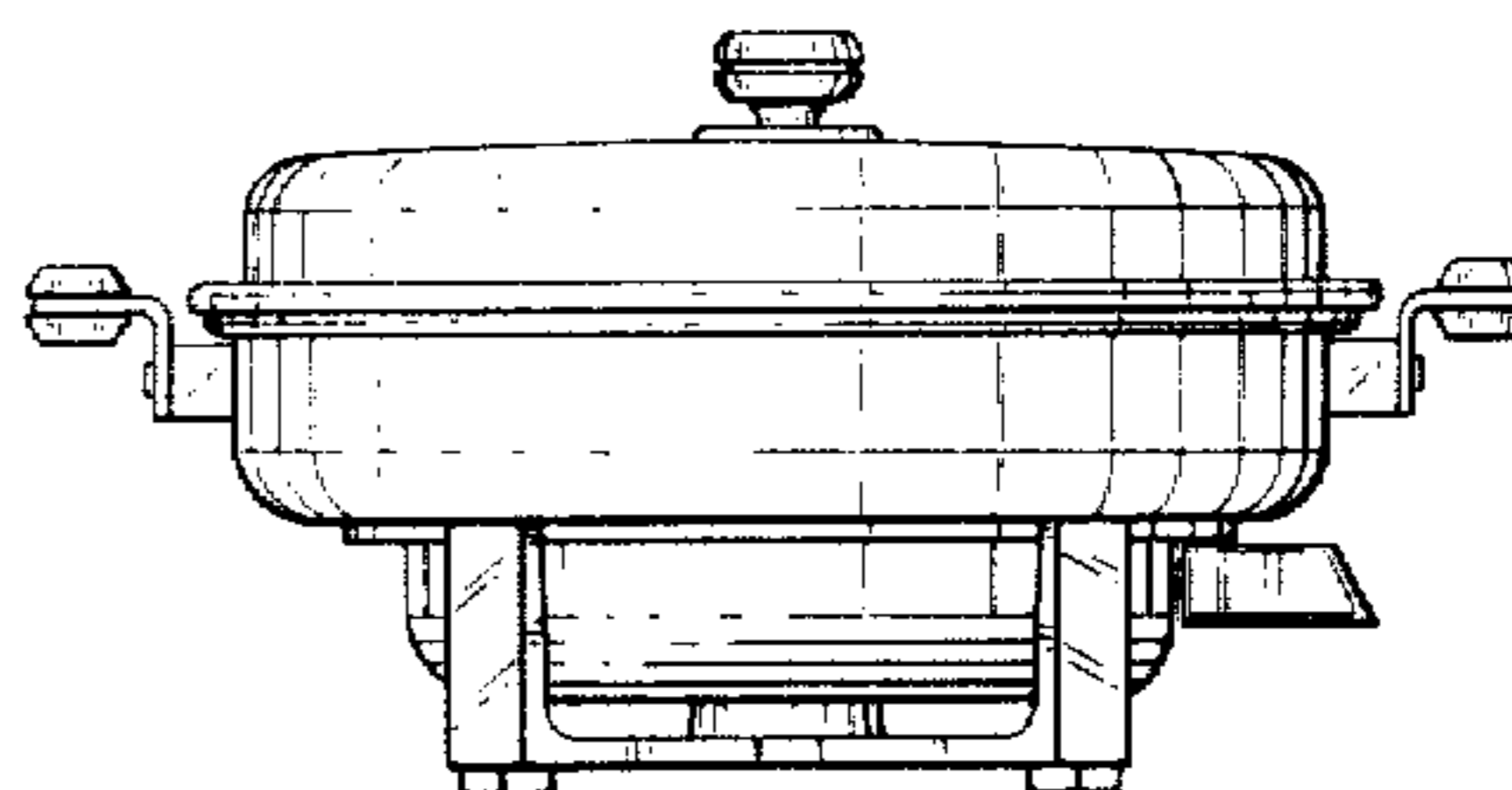
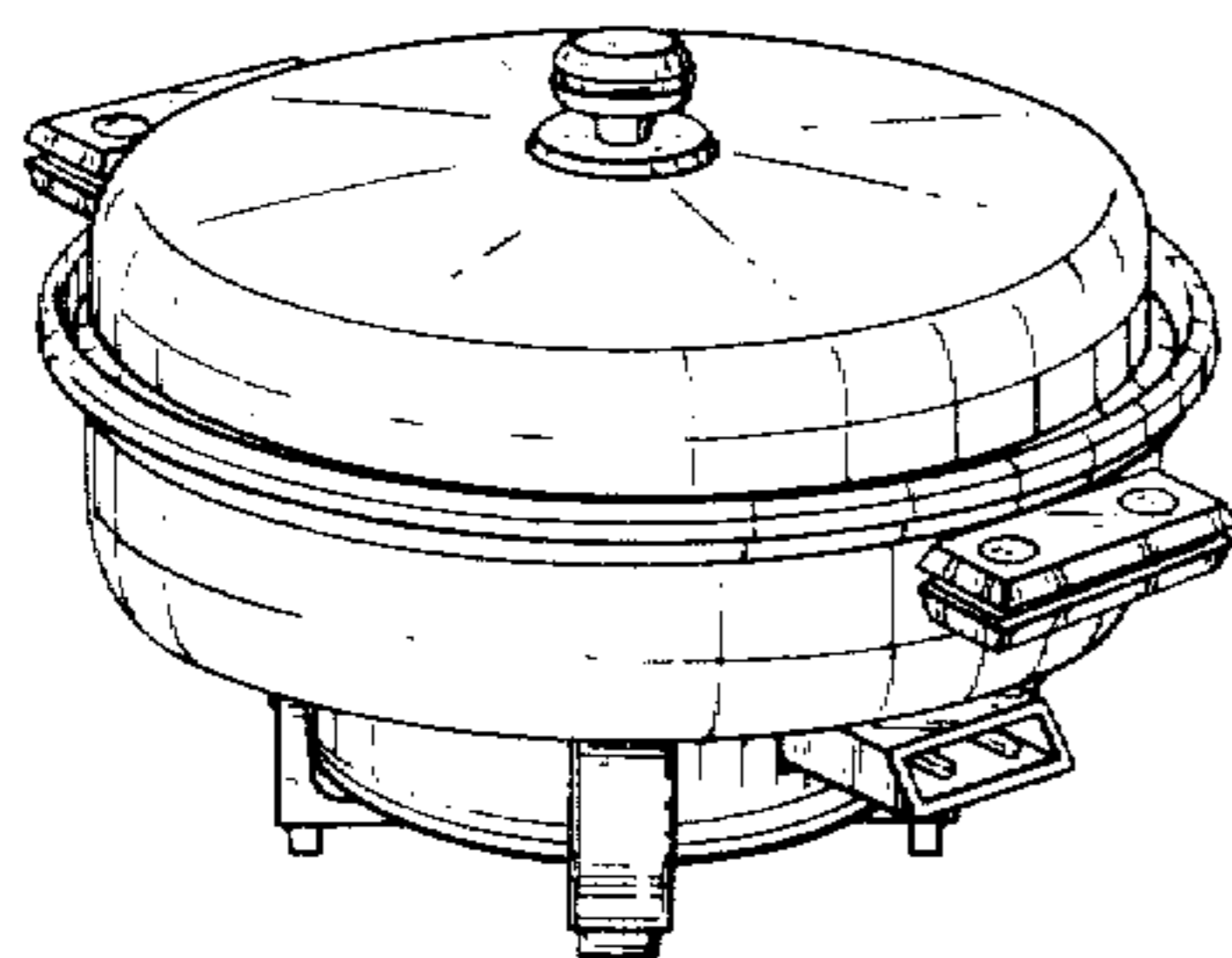
Primary Examiner-Winifred E. Herrmann

[57] **CLAIM**

The ornamental design for a casserole cooking appliance, substantially as shown.

DESCRIPTION

FIG. 1 is a perspective view of a casserole cooking appliance showing my new design; FIG. 2 is a side elevational view; FIG. 3 is a top plan view; and, FIG. 4 is a bottom plan view.



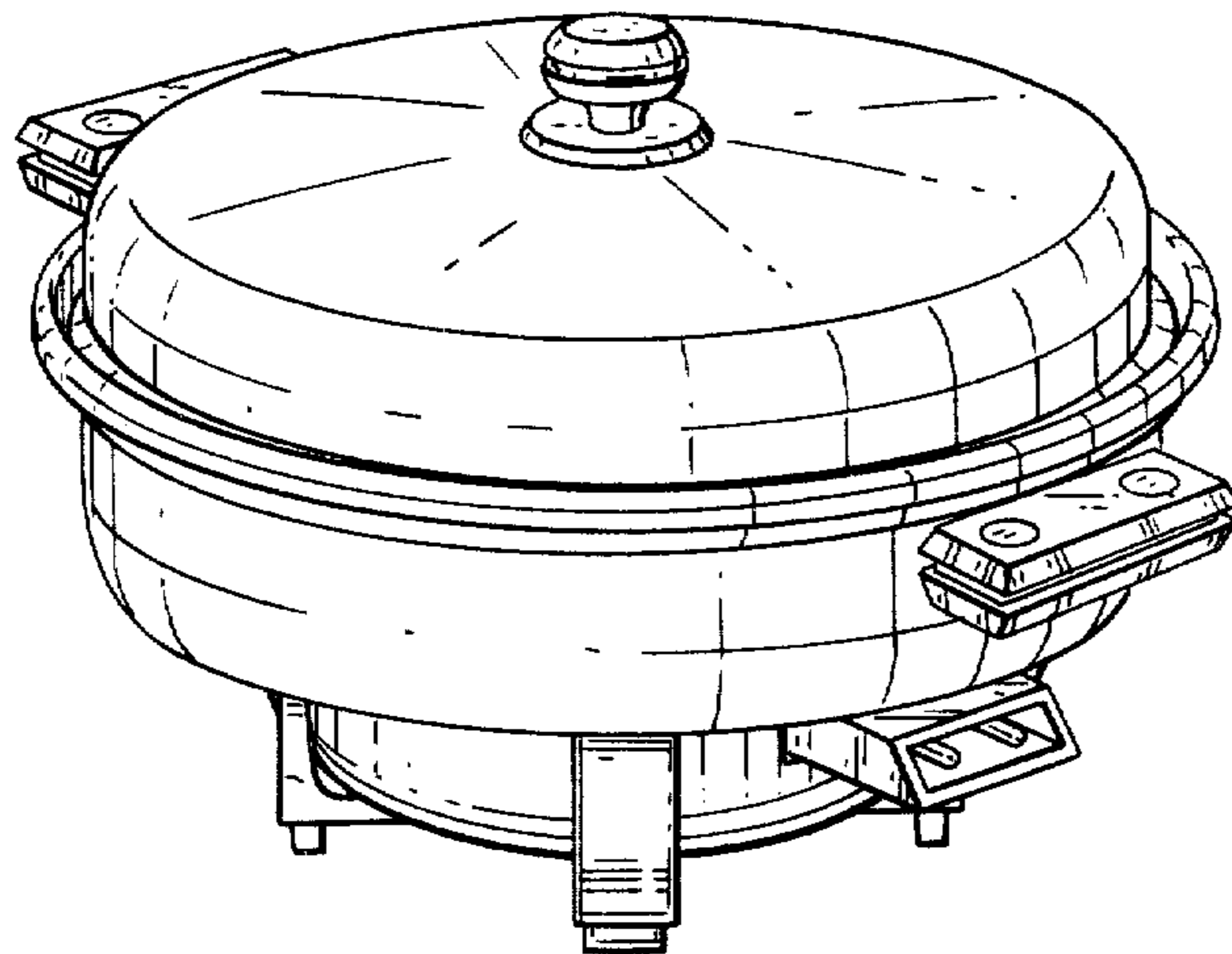


FIG. 1

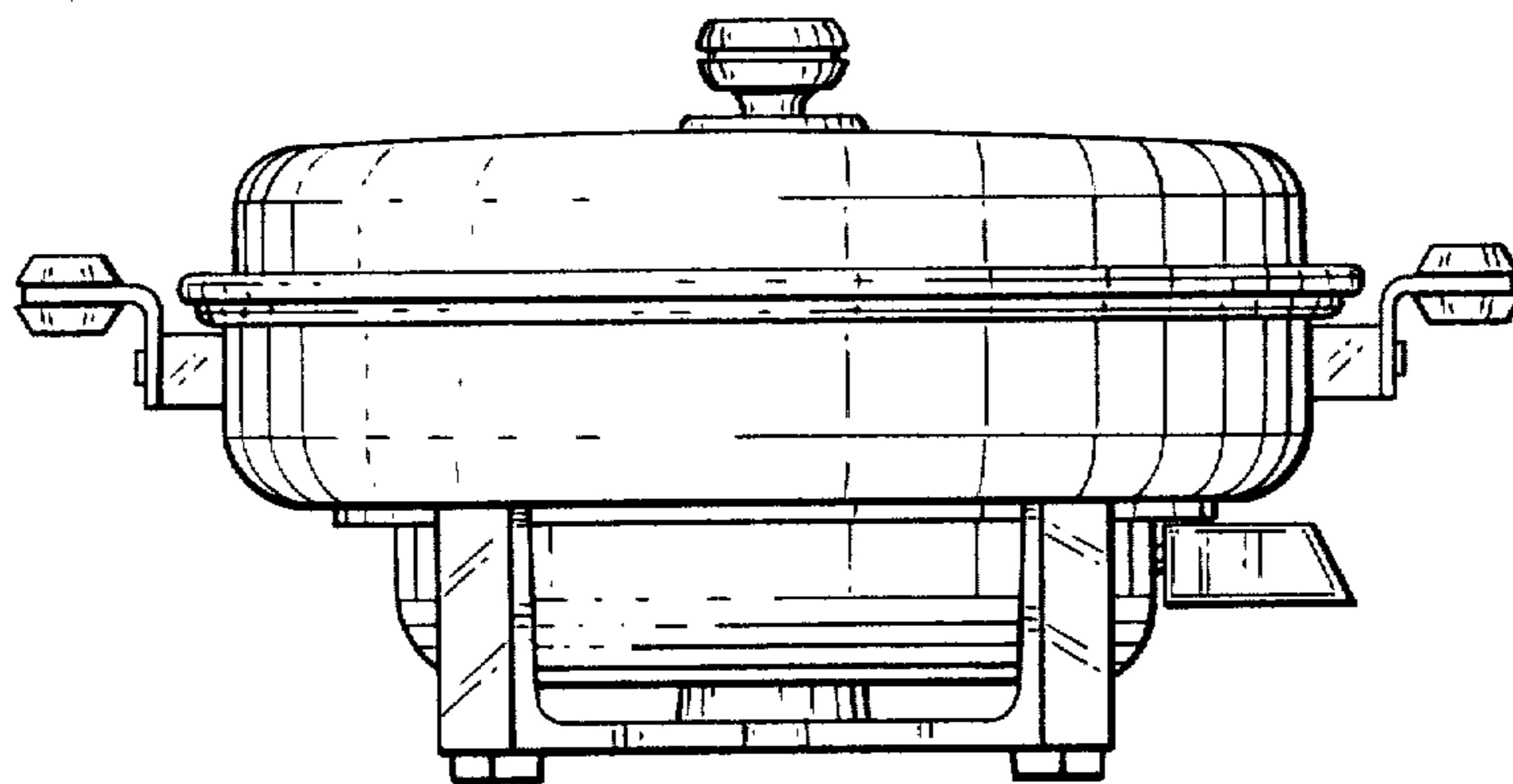


FIG. 2

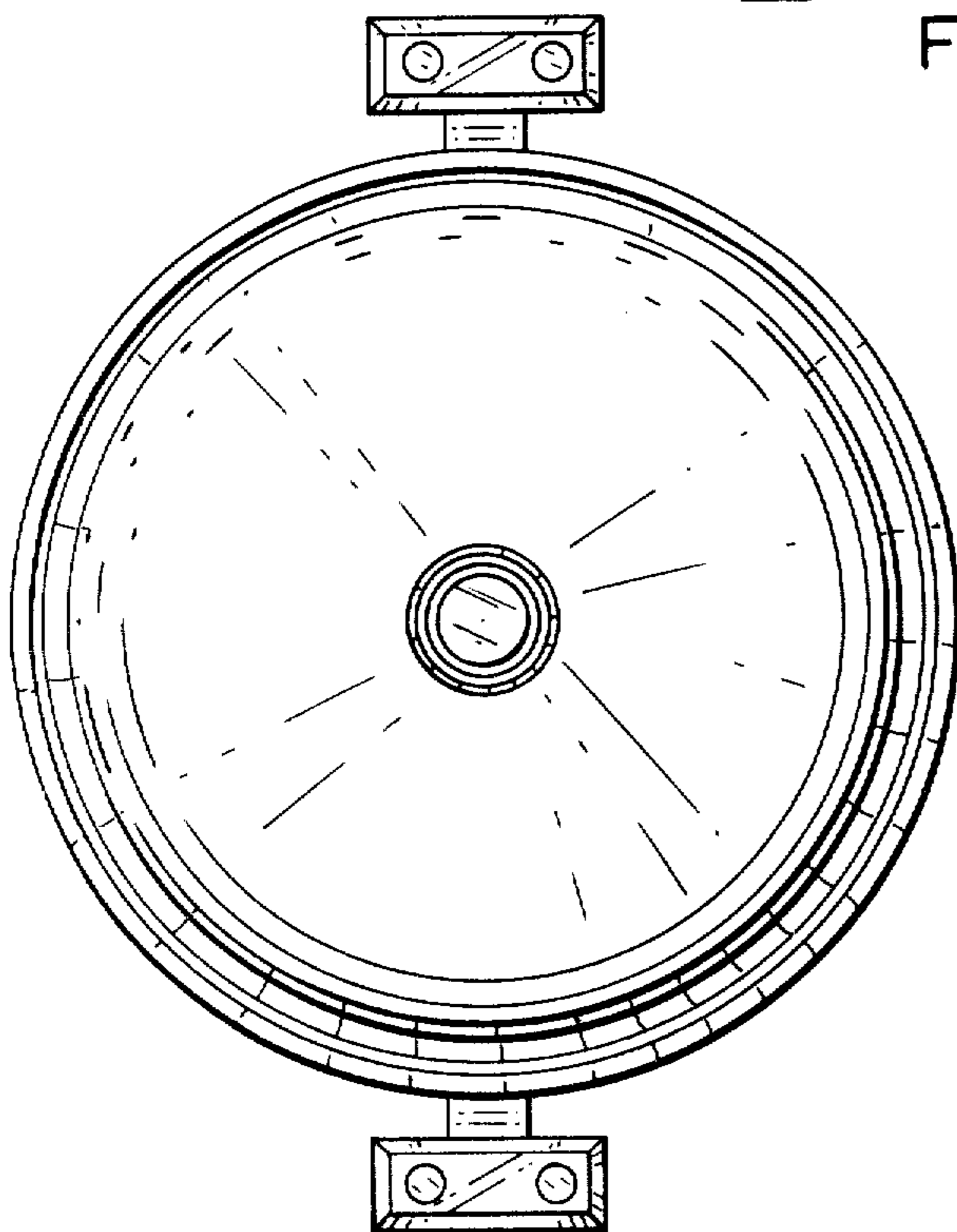


FIG. 3

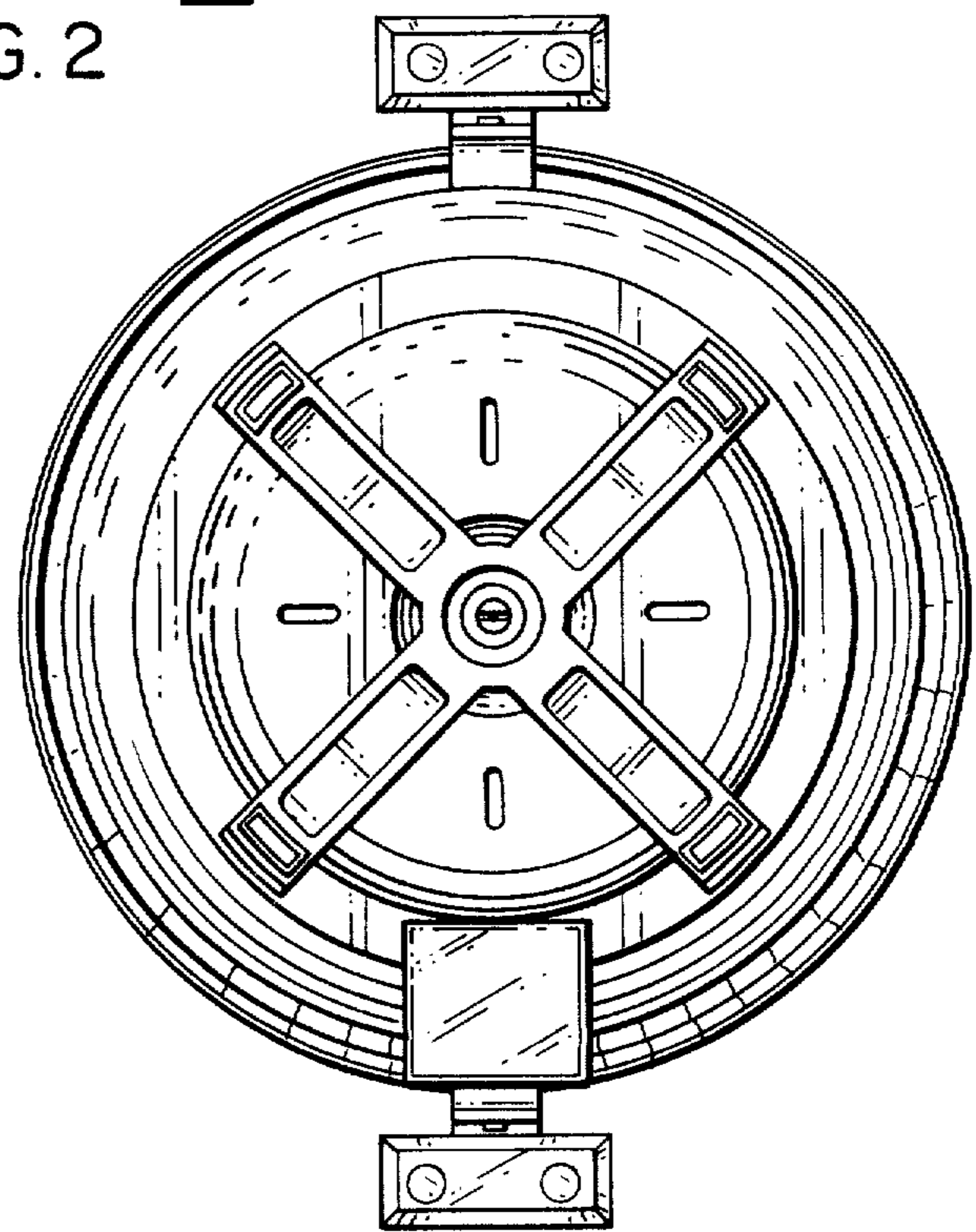


FIG. 4