

[54] BEVERAGE CONTAINER

[75] Inventors: Craig Ruxton; Ronald McGowan, both of Harris County, Tex.

[73] Assignee: Igloo Corporation, Houston, Tex.

[**] Term: 14 Years

[21] Appl. No.: 239,863

[22] Filed: Mar. 2, 1981

[51] Int. Cl. D07-01

[52] U.S. Cl. D7/77

[58] Field of Search D7/77, 76, 78, 51; D9/379, 398, 383

[56] References Cited

U.S. PATENT DOCUMENTS

D. 233,641	11/1974	Roche	D7/77
D. 262,856	2/1982	MacTavish et al.	D7/77
2,954,888	10/1960	Bramming	D7/77 X
3,298,554	1/1967	Piker	D7/77 X

OTHER PUBLICATIONS

Home Furnishings Daily, Aug. 16, 1960, p. 30, Coleman "Snow-Lite Picnic Jug".

Best Products Cat 80/81, p. 398, Item M "Igloo Half-Gallon Insulated Jug" Tab Top Pour Spout Wide Mouth Lid, lower r. panel.

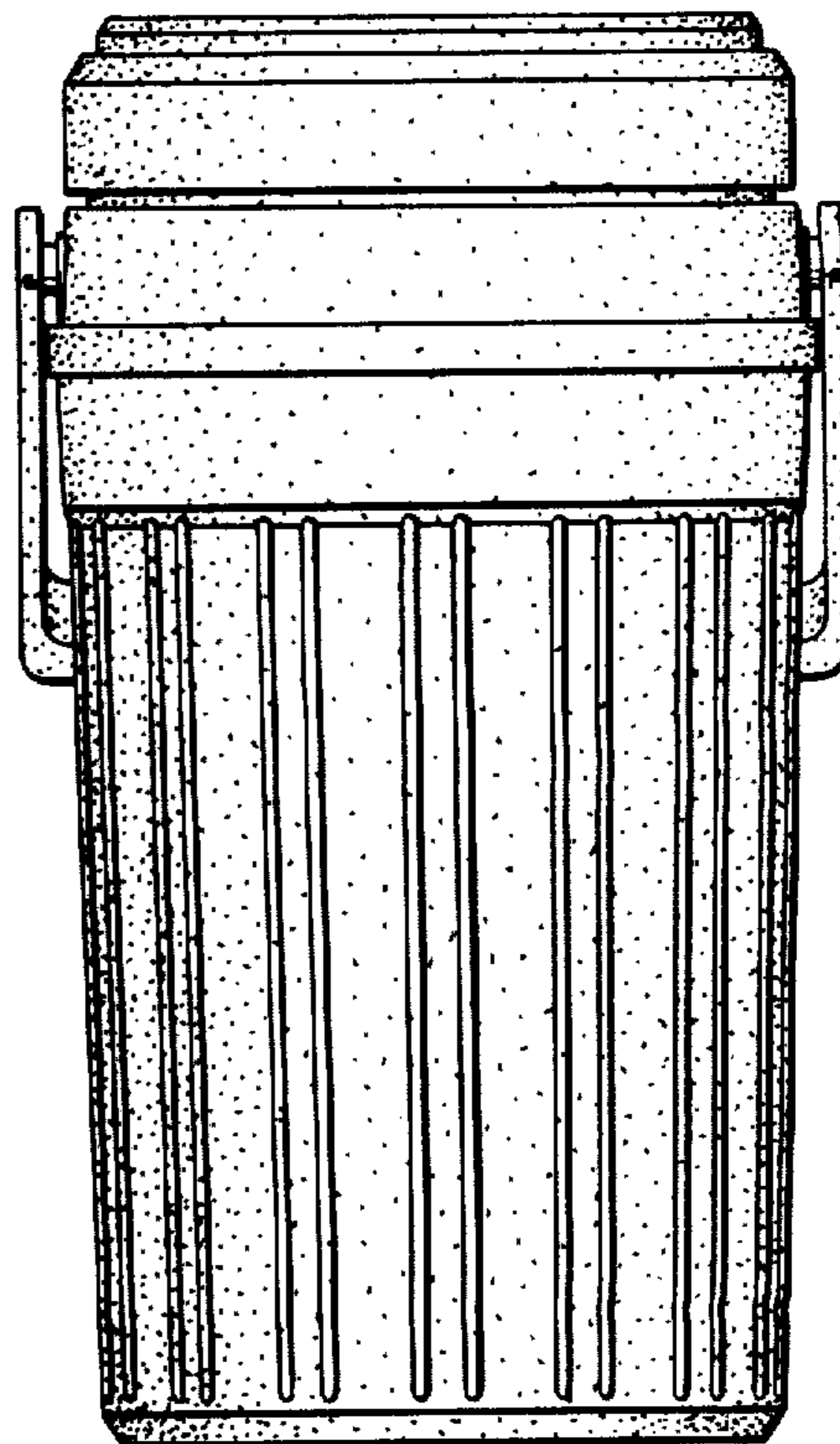
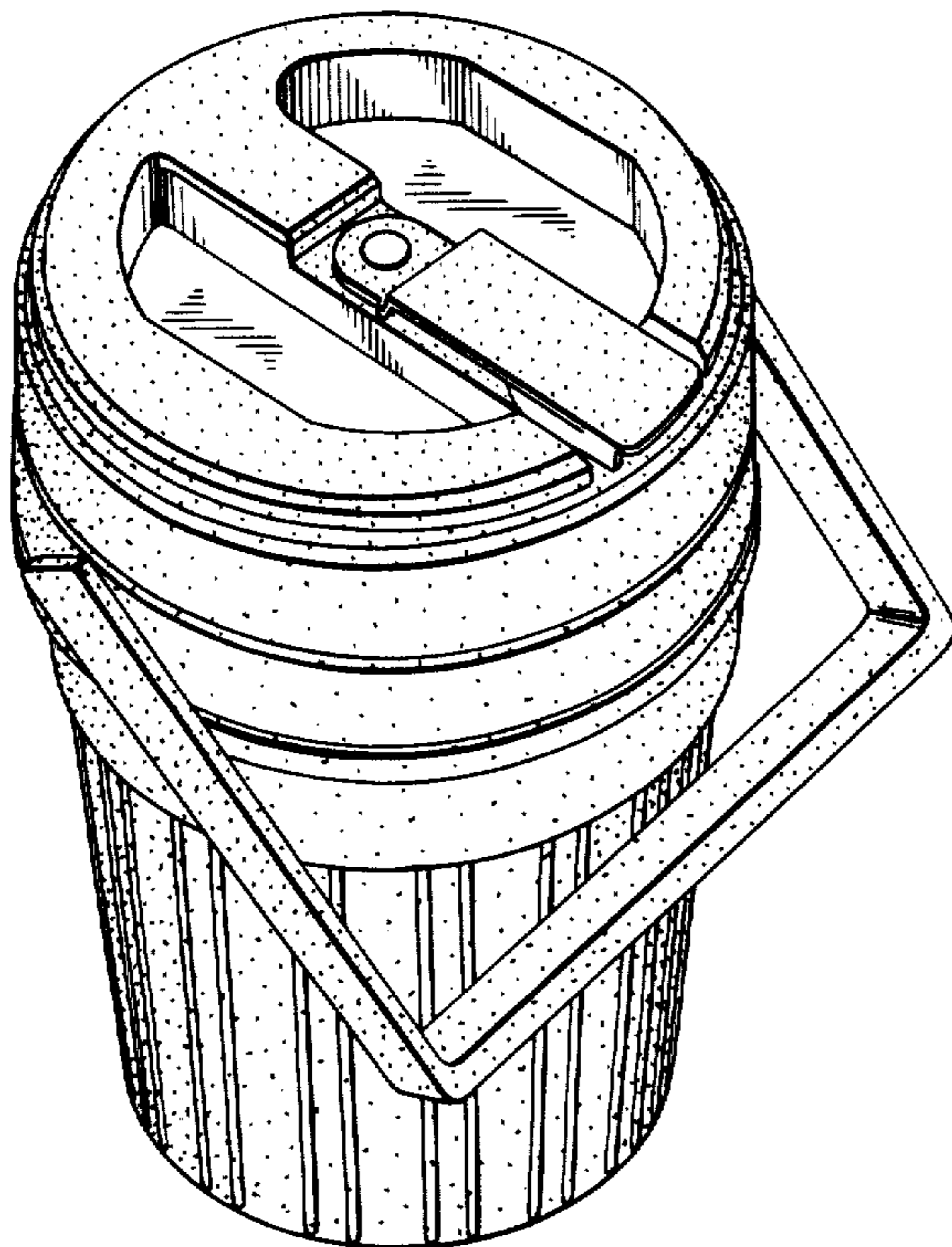
Primary Examiner—Winifred E. Herrmann
Attorney, Agent, or Firm—Fulbright & Jaworski

[57] CLAIM

The ornamental design for a beverage container, substantially as shown.

DESCRIPTION

FIG. 1 is a front and top perspective view of a beverage container showing our new design; FIG. 2 is a front elevational view thereof; FIG. 3 is a side elevational view thereof; FIG. 4 is a top plan view thereof; FIG. 5 is a back elevational view thereof, and; FIG. 6 is a bottom plan view thereof.



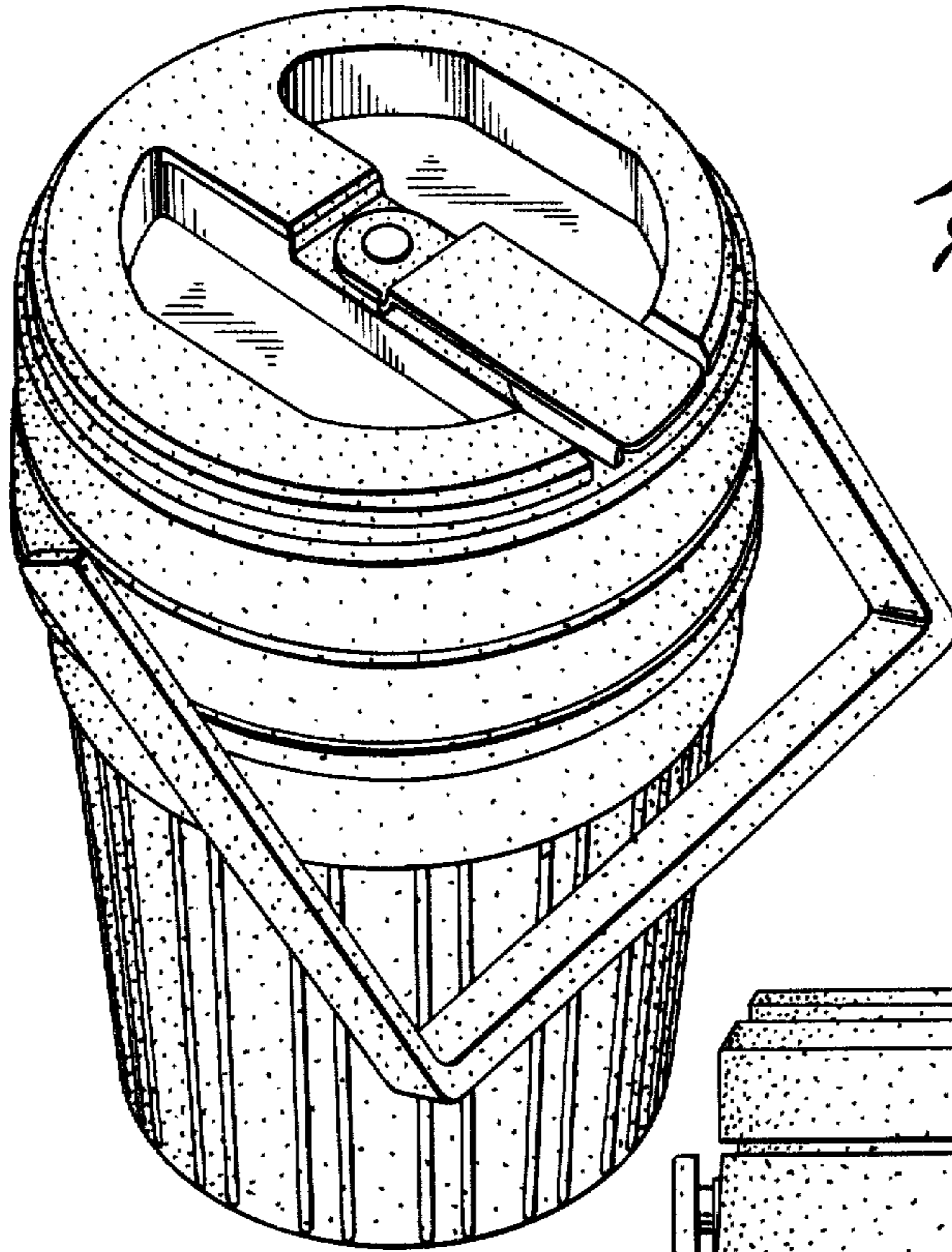


Fig. 1

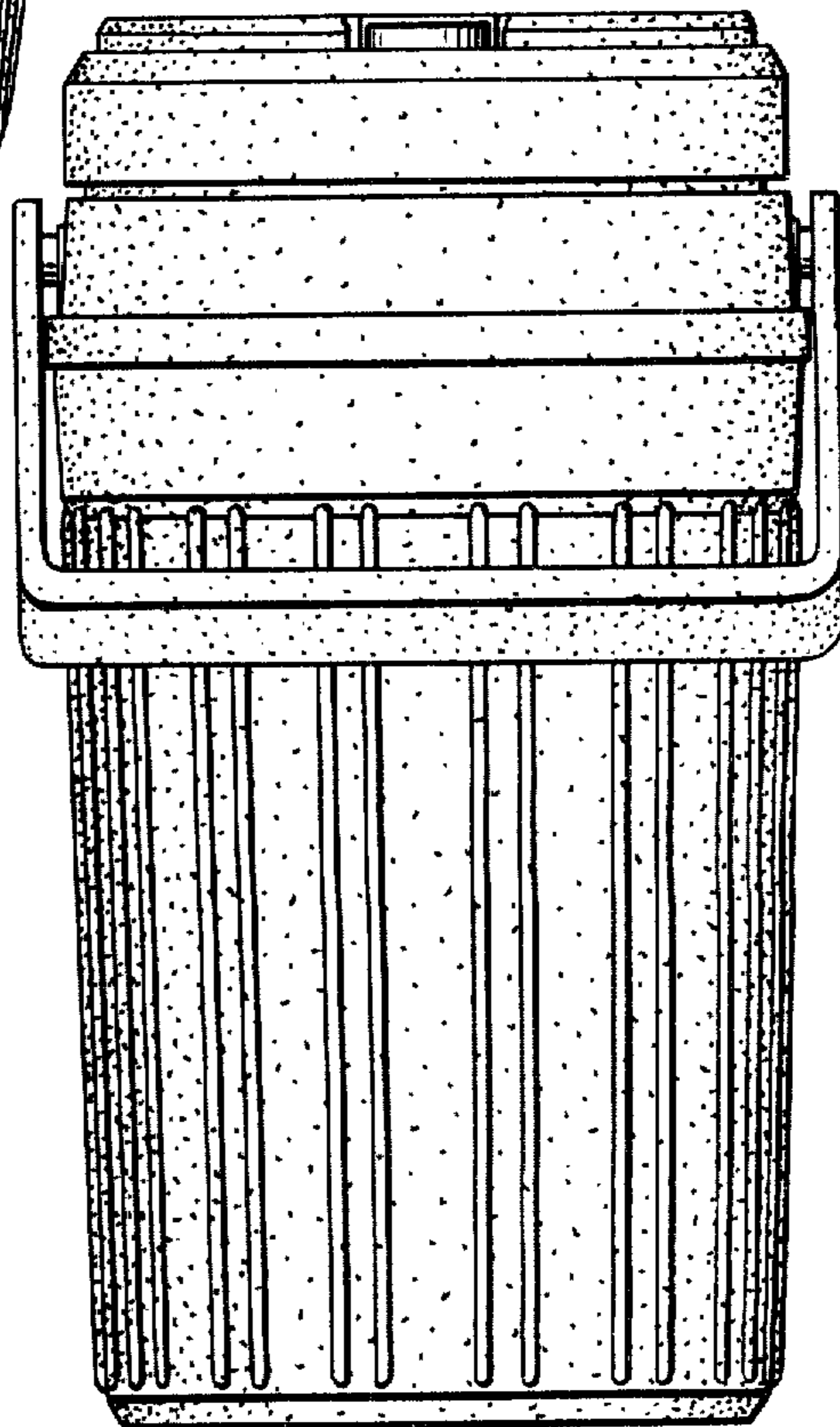


Fig. 2

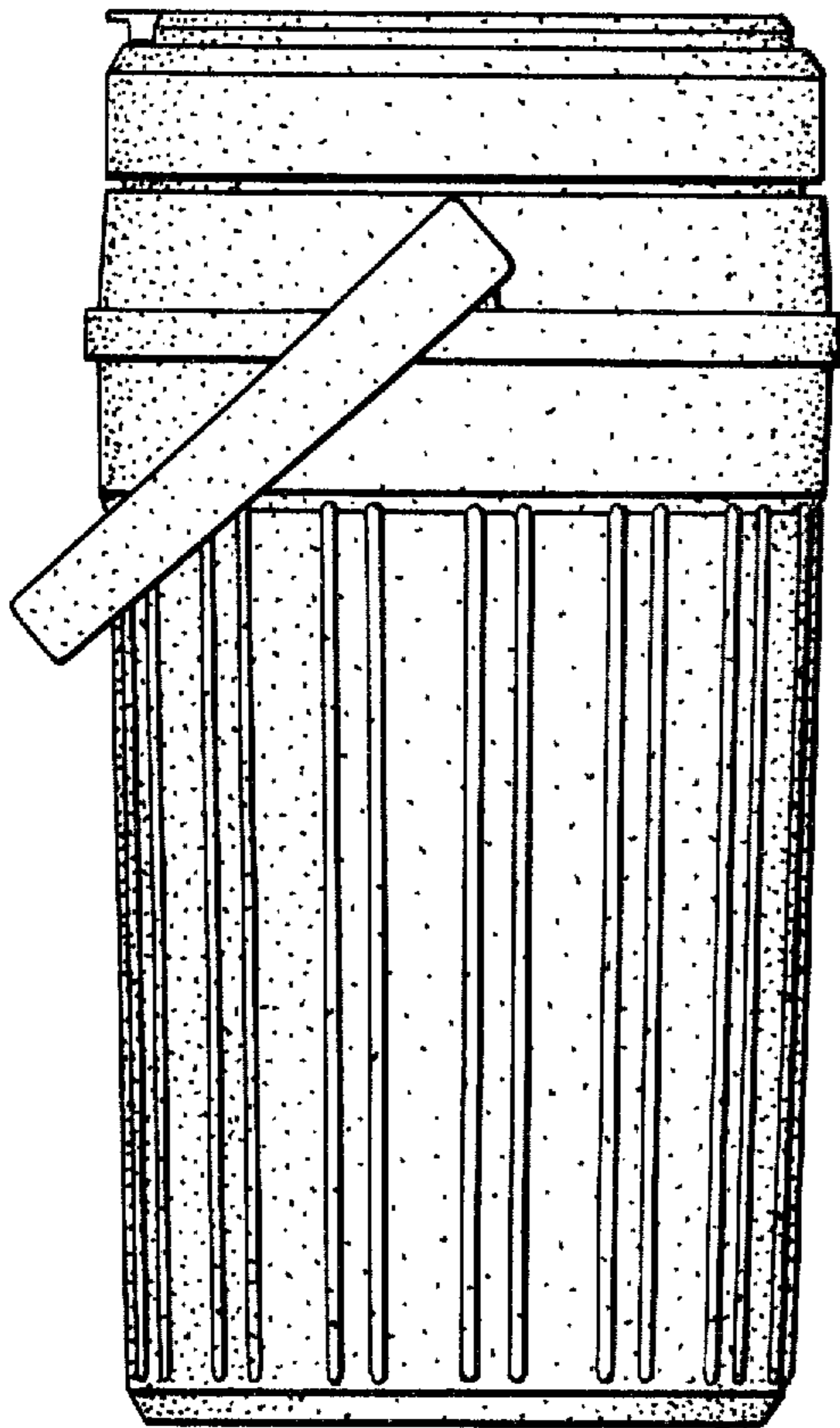


Fig. 3

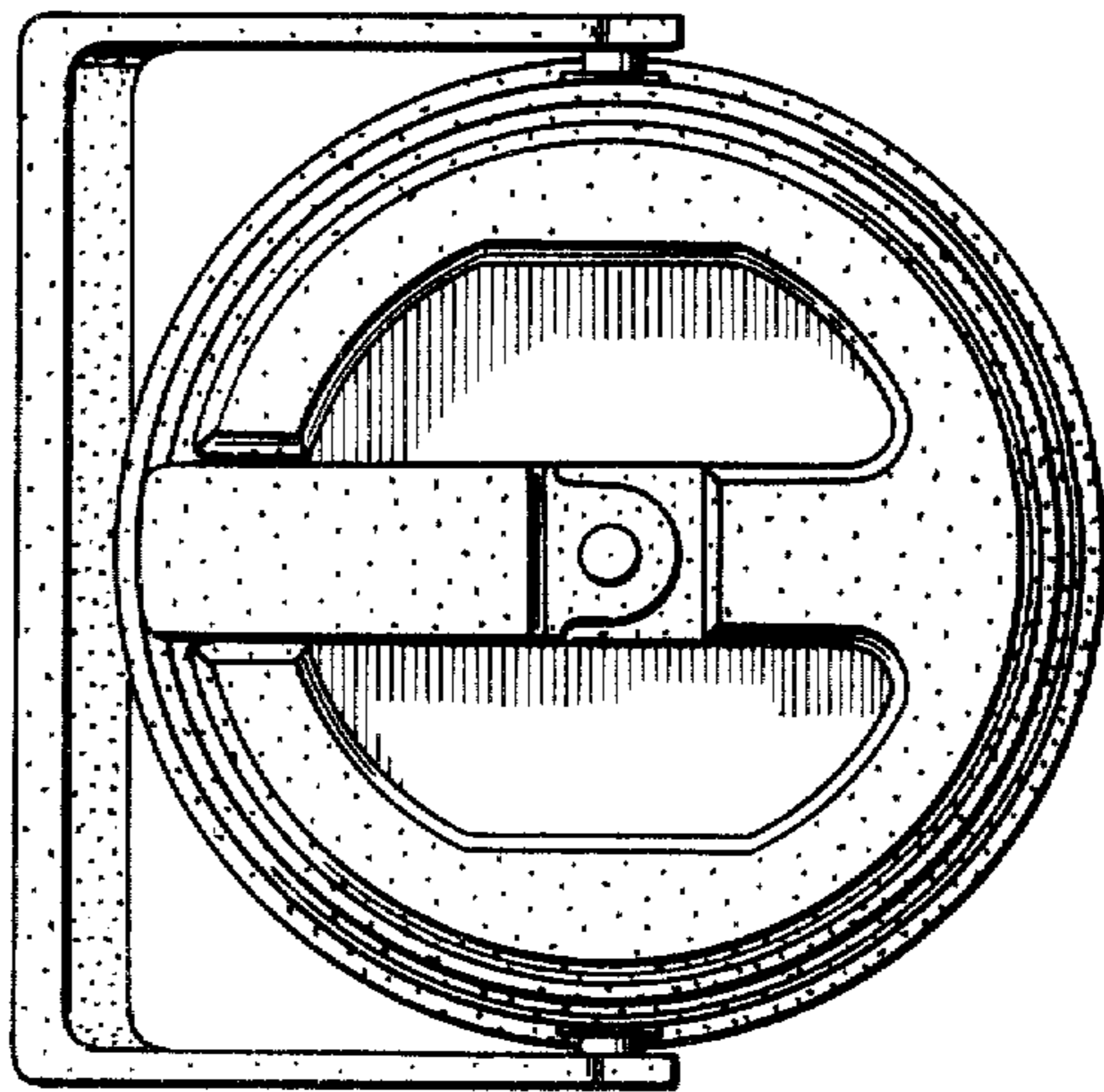


Fig. 4

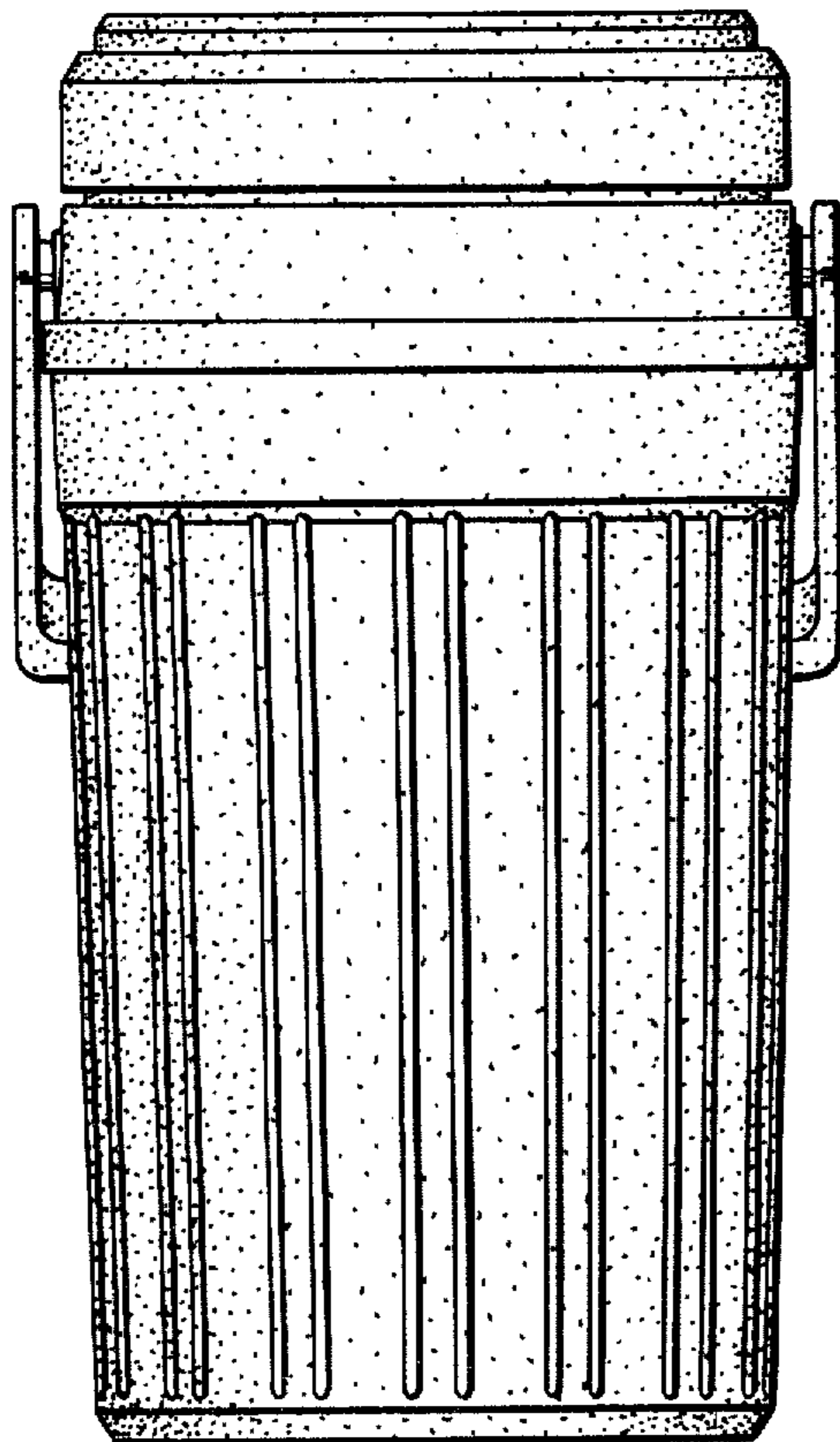


Fig. 5

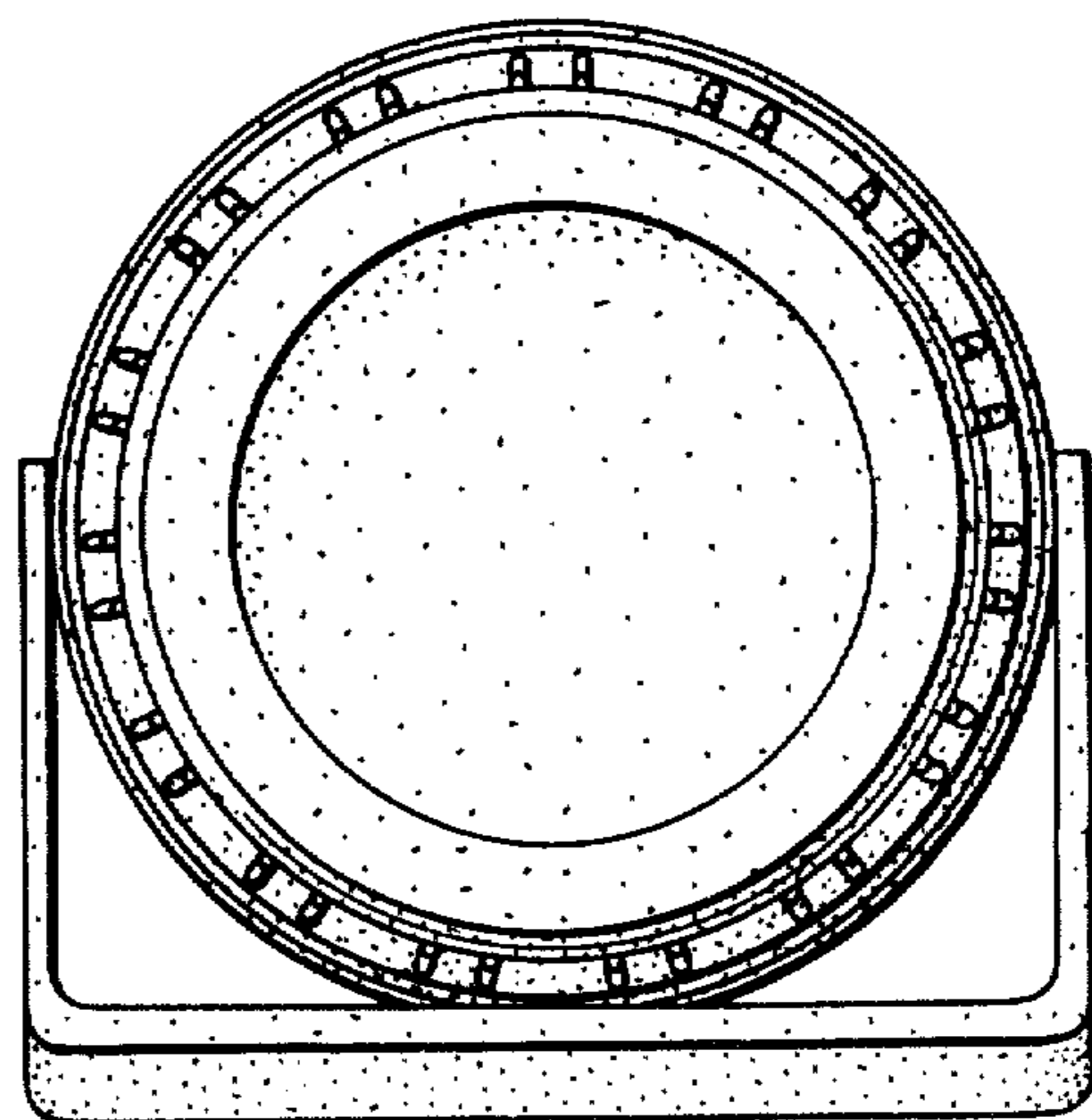


Fig. 6