

[54] PLANT HOLDER

2,732,954 1/1956 Jahonis et al. .... 47/39

[76] Inventor: James T. Douglas, 12800 La Cadena, Colton, Calif. 92324

[\*\*] Term: 14 Years

[21] Appl. No.: 218,787

[22] Filed: Dec. 22, 1980

[51] Int. Cl. .... D6-06

[52] U.S. Cl. .... D6/137; D6/136; D6/182

[58] Field of Search ..... D6/114, 130, 132, 136, D6/137, 181, 182, 183; 47/39; 211/75, 87, 88, 96; 248/311.2

[56] References Cited

U.S. PATENT DOCUMENTS

213,034	3/1879	Bingham	.....	248/311.2
D. 243,219	2/1977	Jeffries	.....	D6/136
D. 247,337	2/1978	Chasen	.....	D6/137
2,504,583	4/1950	Rachic	.....	47/39

OTHER PUBLICATIONS

Vogue Planters/Pot Holders Cat; 7/1976; p. 29; Hanger 6261.

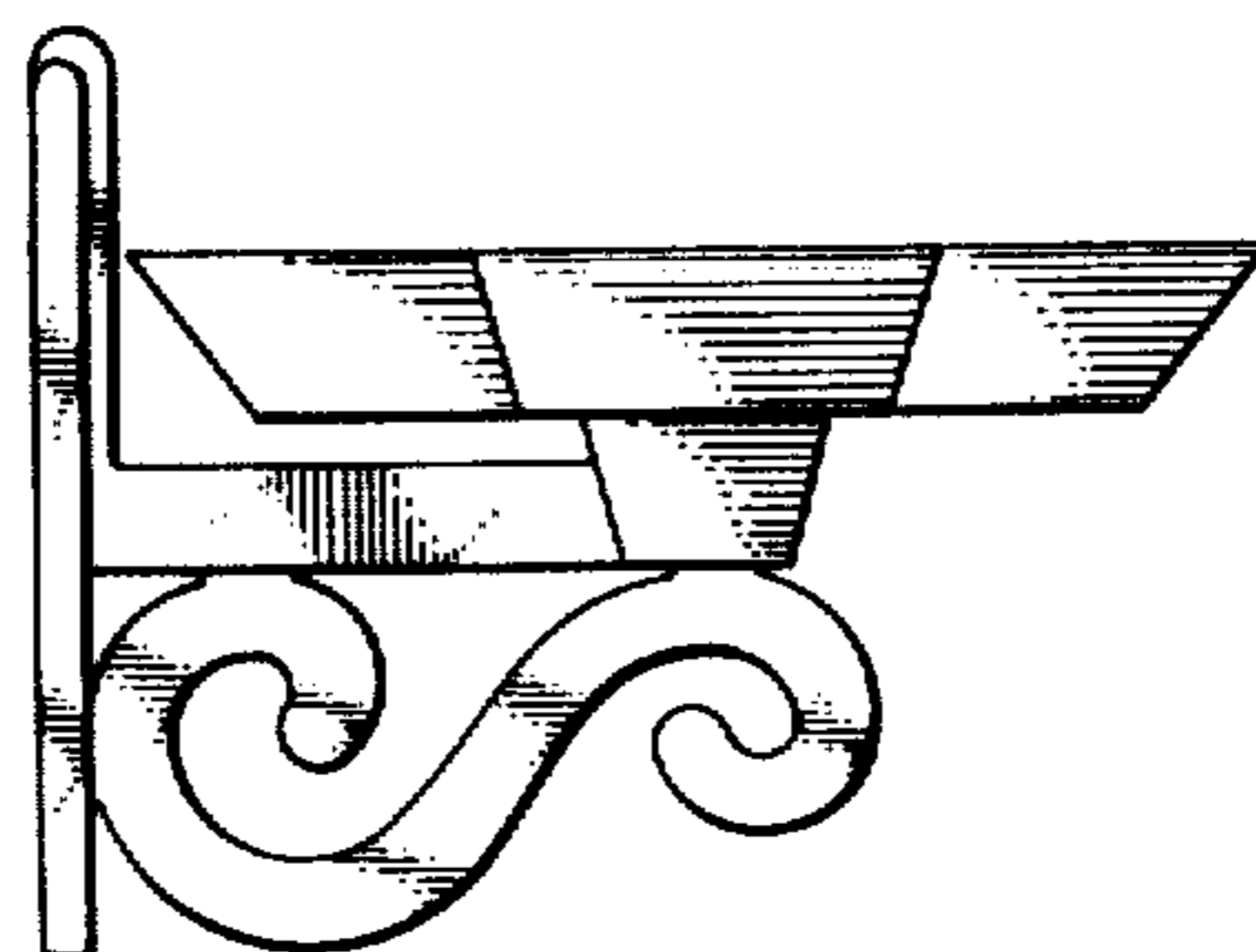
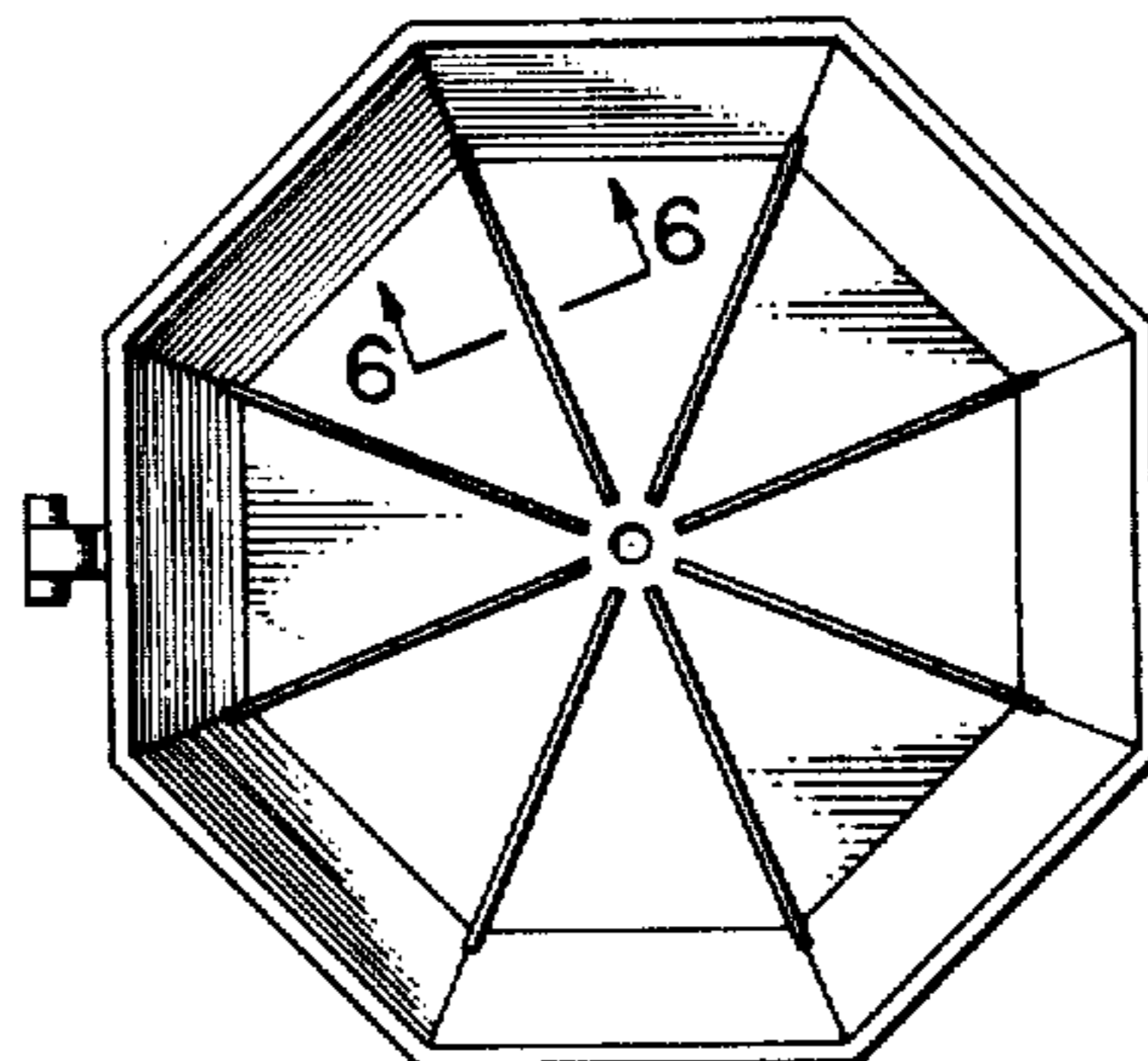
Primary Examiner—B. J. Bullock  
Attorney, Agent, or Firm—Harvey S. Hertz

[57] CLAIM

The ornamental design for a plant holder, substantially as shown and described.

DESCRIPTION

FIG. 1 is a top plan view of the plant holder, showing my new design;  
FIG. 2 is a side elevational view taken from the left of FIG. 3, the side opposite being a mirror image;  
FIG. 3 is a front elevational view;  
FIG. 4 is a bottom plan view;  
FIG. 5 is a rear elevational view; and  
FIG. 6 is an enlarged fragmentary cross-sectional view taken in the direction of the arrows on line 6—6 of FIG. 1.



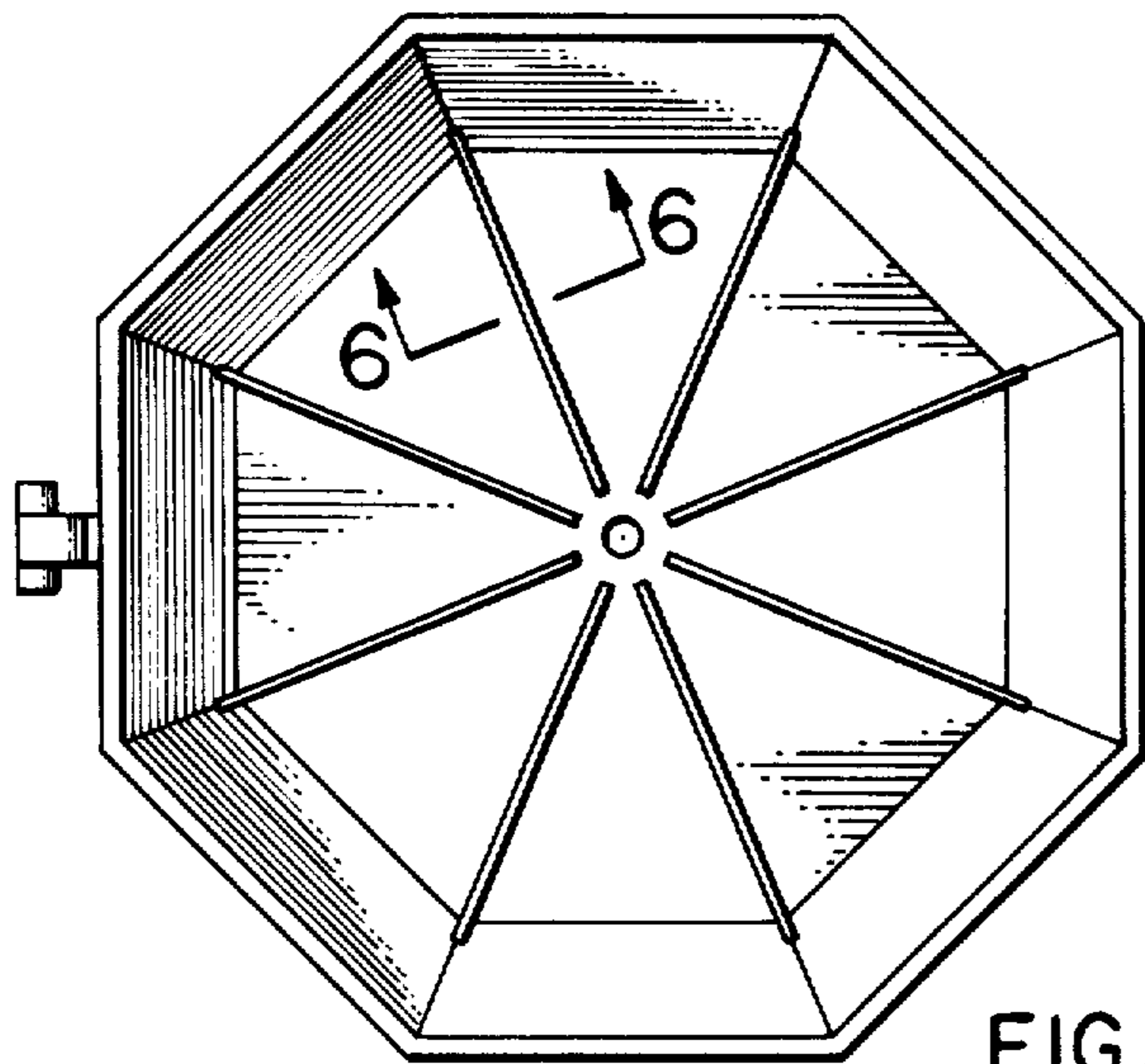


FIG. 1

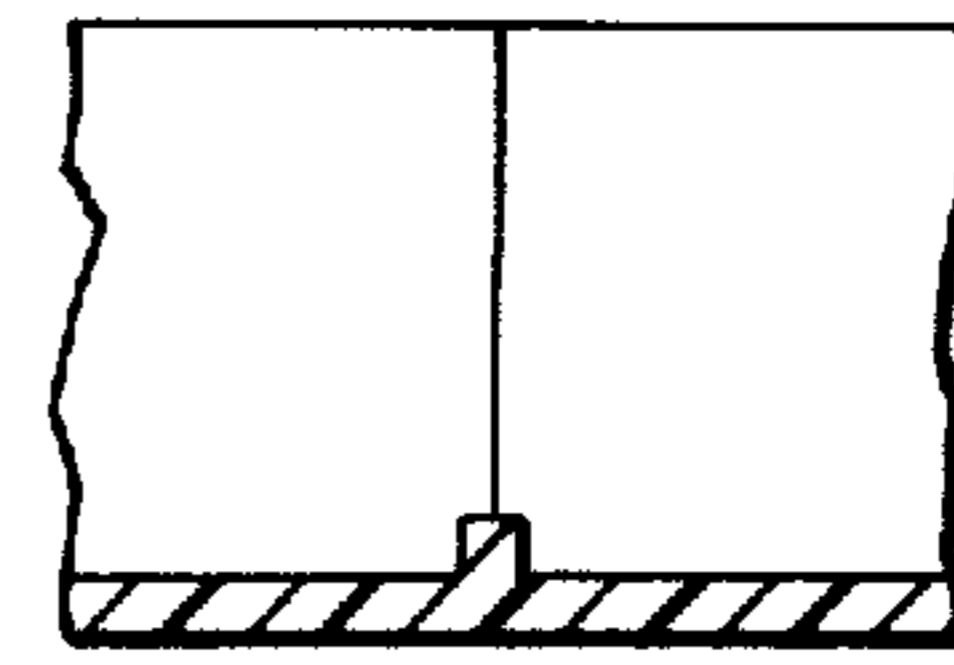


FIG. 6

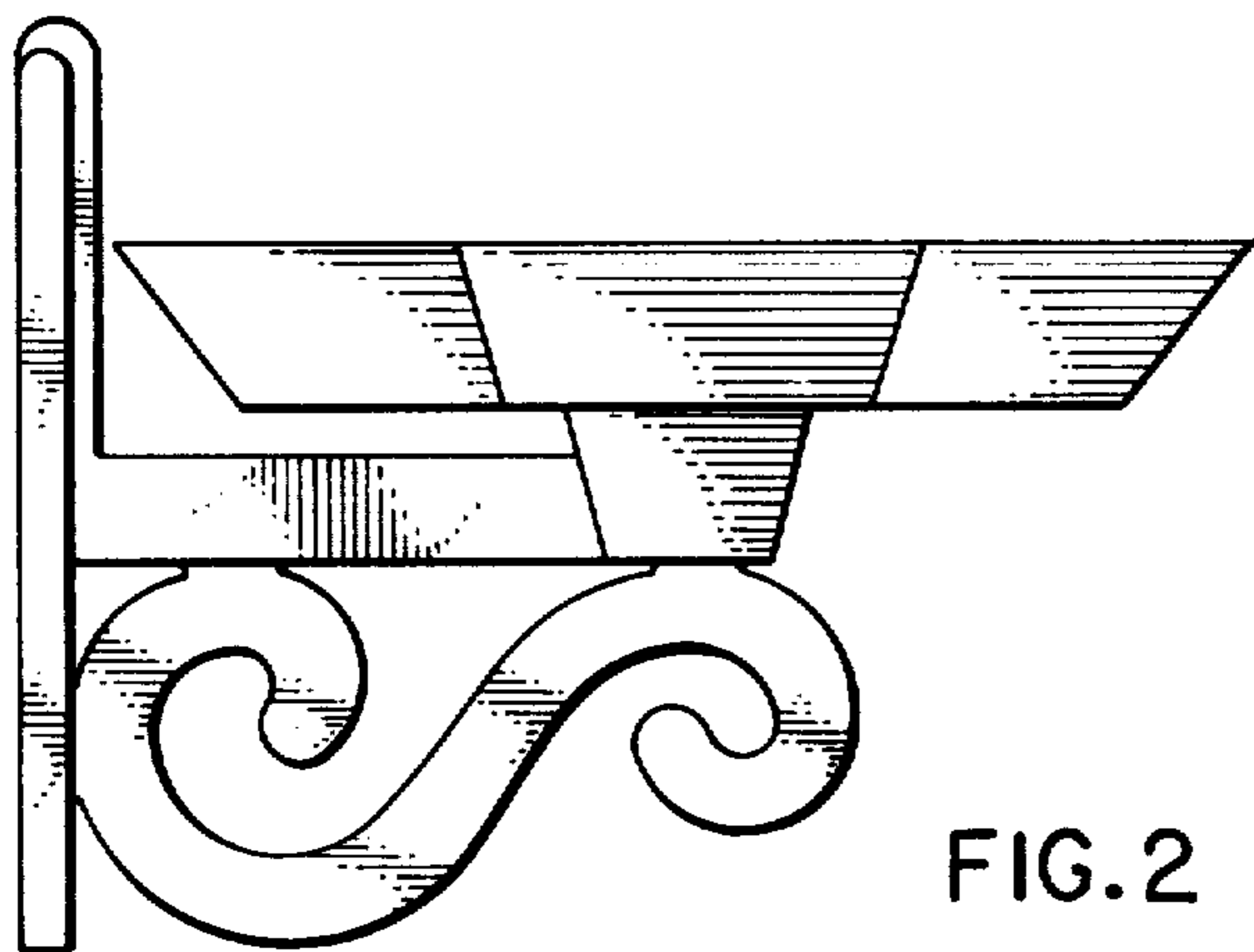


FIG. 2

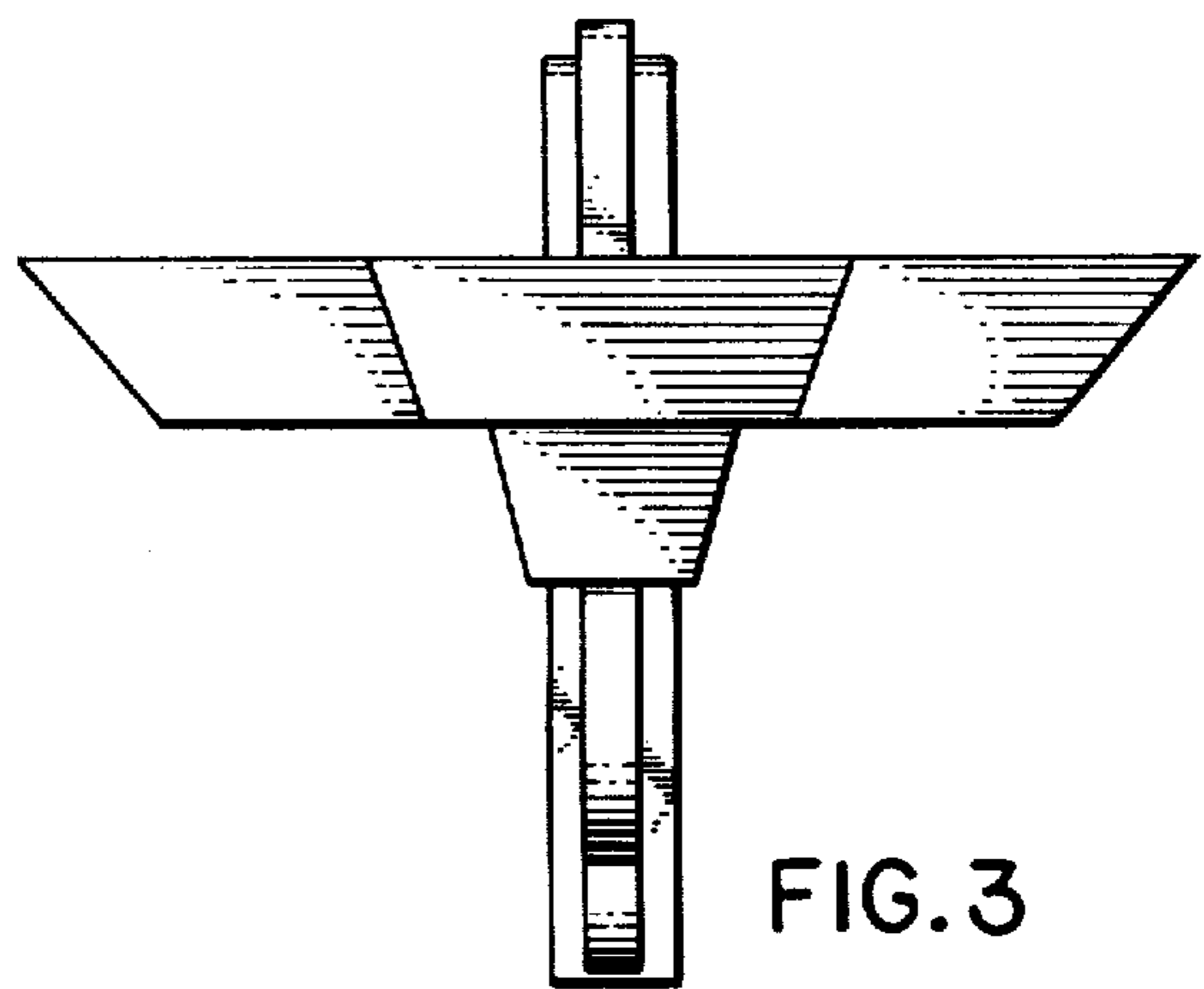


FIG. 3

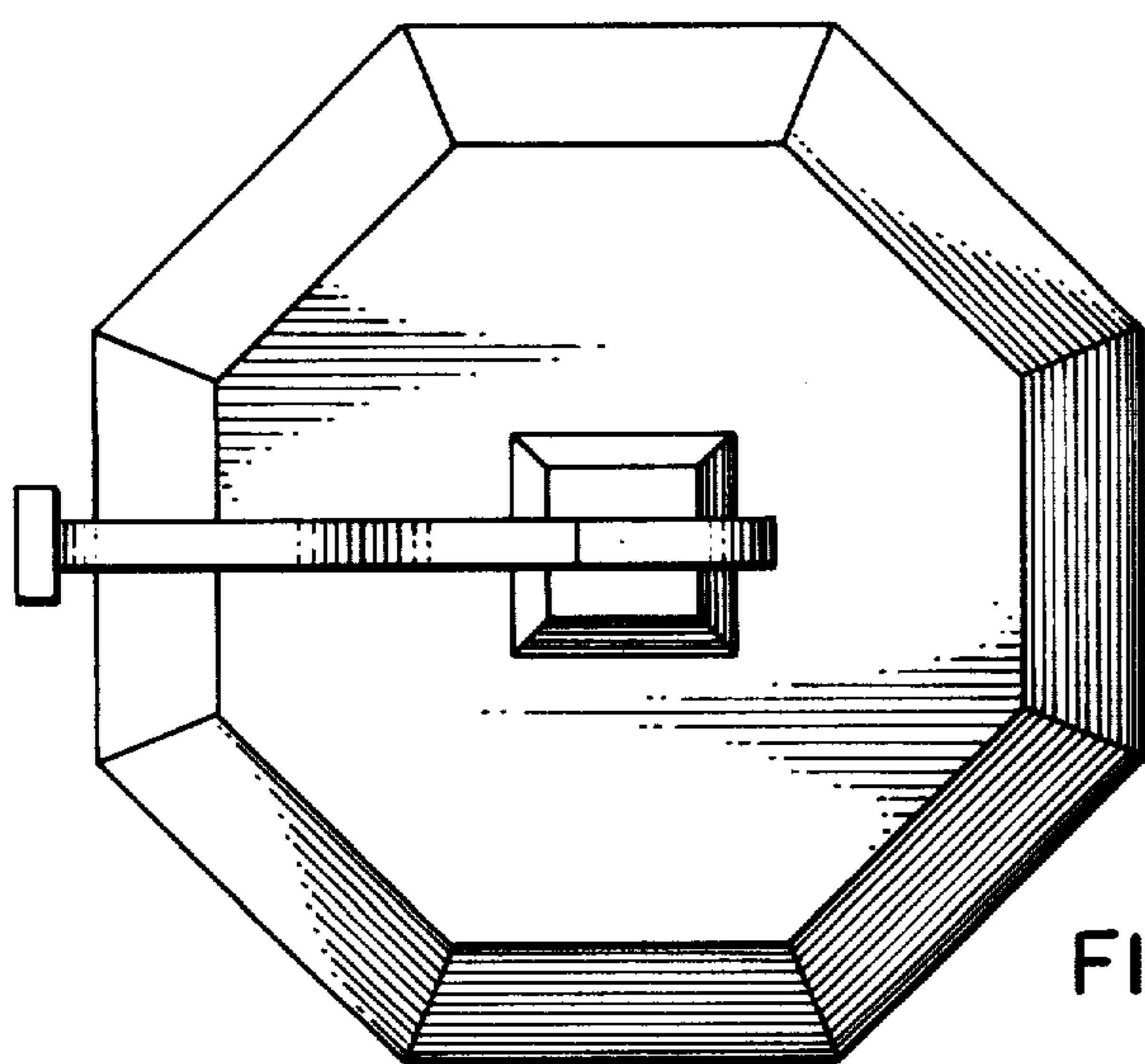


FIG. 4

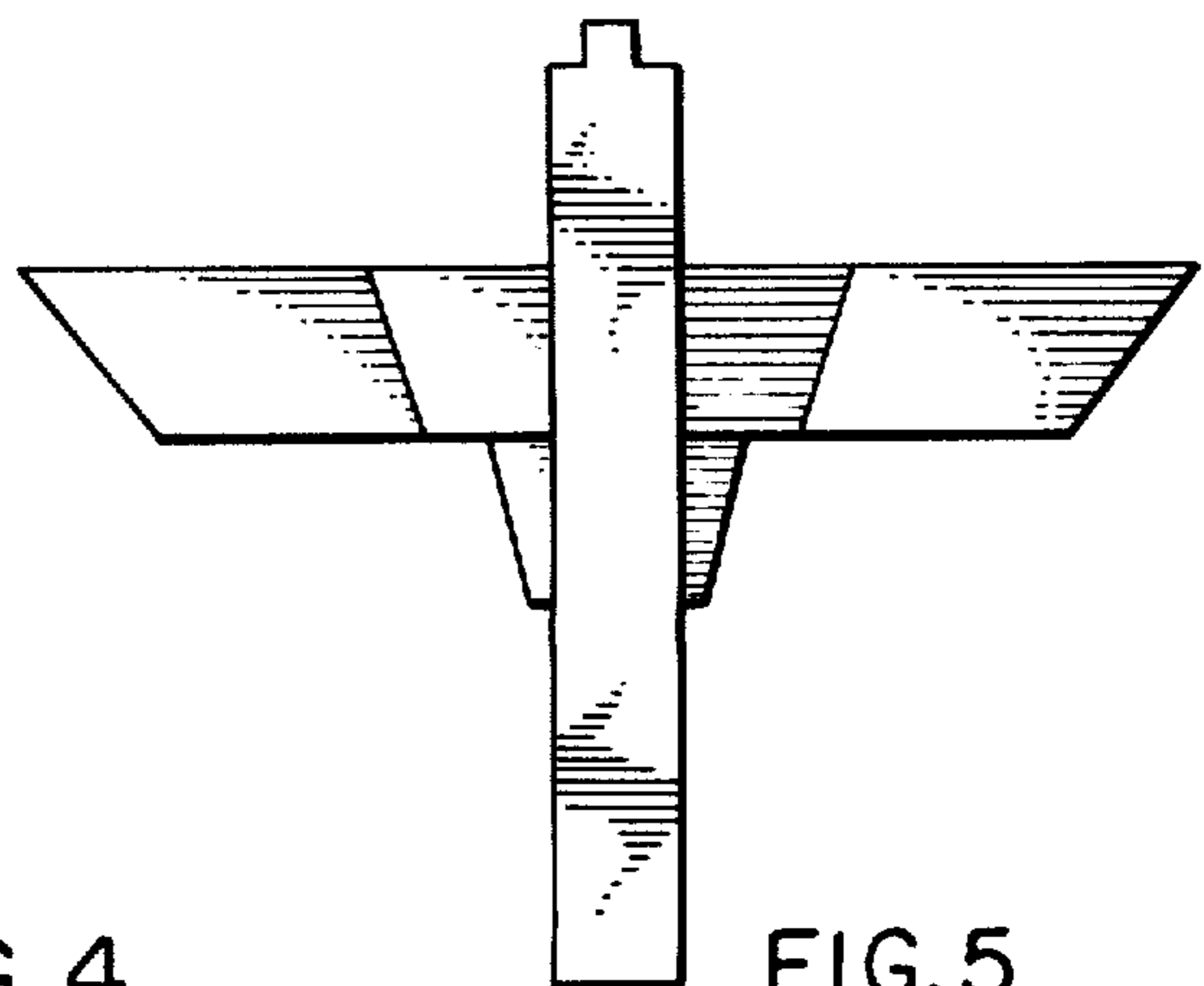


FIG. 5