

[54] **COMBINED FISHING ROD RACK AND CARRIER**

[75] Inventors: **Kenneth F. Wess, San Angelo, Tex.; Charles E. Day, deceased, late of San Angelo, Tex., by Frances B. Day, executrix**

[73] Assignees: **Margaret L. Wess; Frances B. Day, both of San Angelo, Tex.**

[**] Term: **14 Years**

[21] Appl. No.: **207,066**

[22] Filed: **Nov. 14, 1980**

[51] Int. Cl. **D6—06; D3—02**

[52] U.S. Cl. **D6/114; D3/38; D6/125**

[58] Field of Search **D6/114, 125; D22/13; D3/36, 38; 294/142, 143, 146, 148, 159, 161; 211/60 R, 60 T, 87, 89; 224/162, 922**

[56] **References Cited**

U.S. PATENT DOCUMENTS

3,483,996	12/1969	Scammon	294;143/
3,889,860	6/1975	Lindsey	294/143
4,003,612	1/1977	Munsell	211/60 R
4,014,466	3/1977	Wess et al.	211/60 R
4,193,495	3/1980	Keeley	211/60 R

Primary Examiner—**B. J. Bullock**
Attorney, Agent, or Firm—**Harvey B. Jacobson; Clarence A. O'Brien**

[57] **CLAIM**

The ornamental design for a combined fishing rod rack and carrier, substantially as shown and described.

DESCRIPTION

FIG. 1 is a front perspective view of a combined fishing rod rack and carrier showing our new design; FIG. 2 is a rear perspective view thereof; FIG. 3 is a top plan view thereof; and FIG. 4 is a right side view thereof. The left side of the combined fishing rod rack and carrier is a substantial mirror image of the right side.

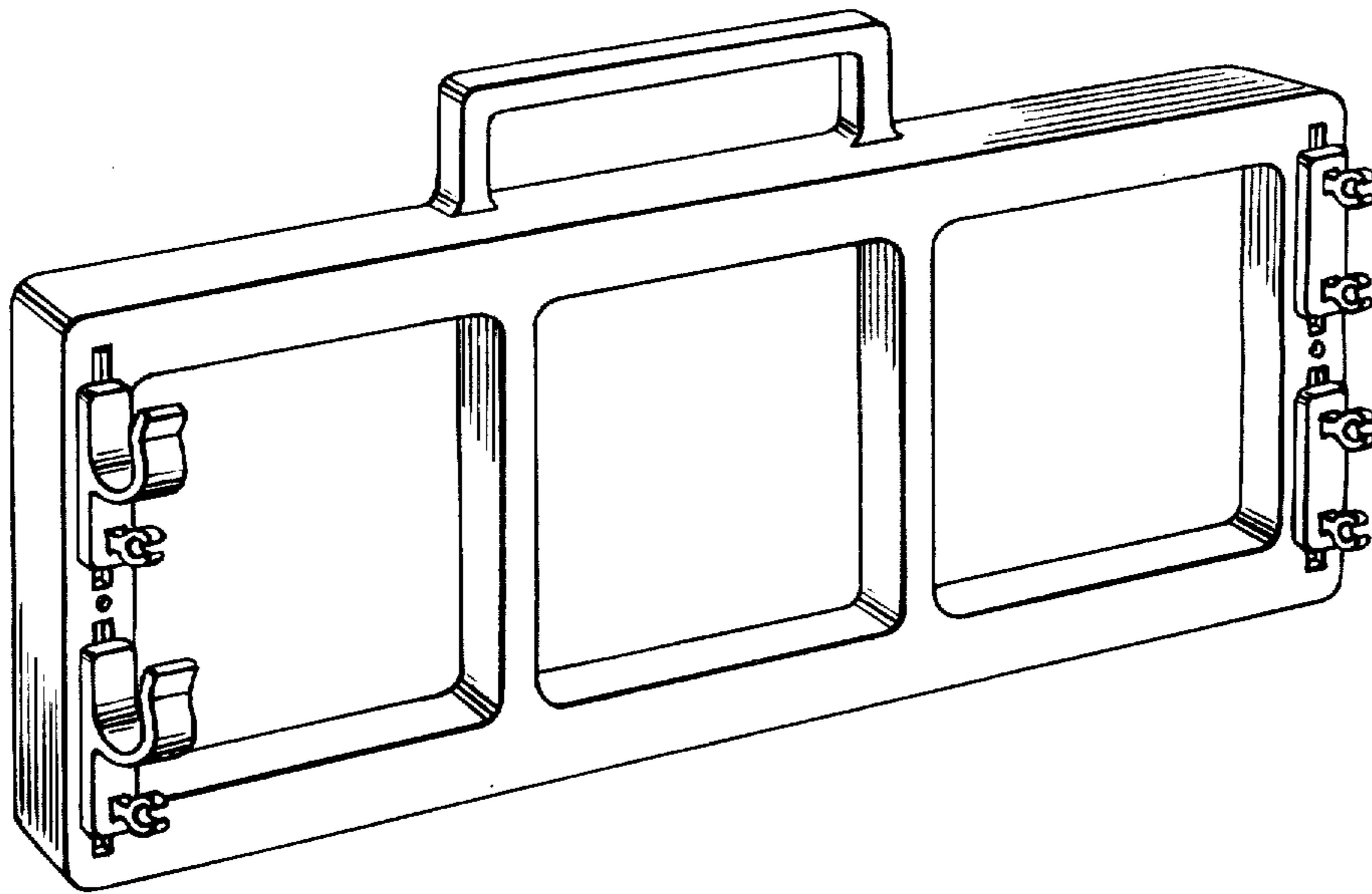


Fig. 1

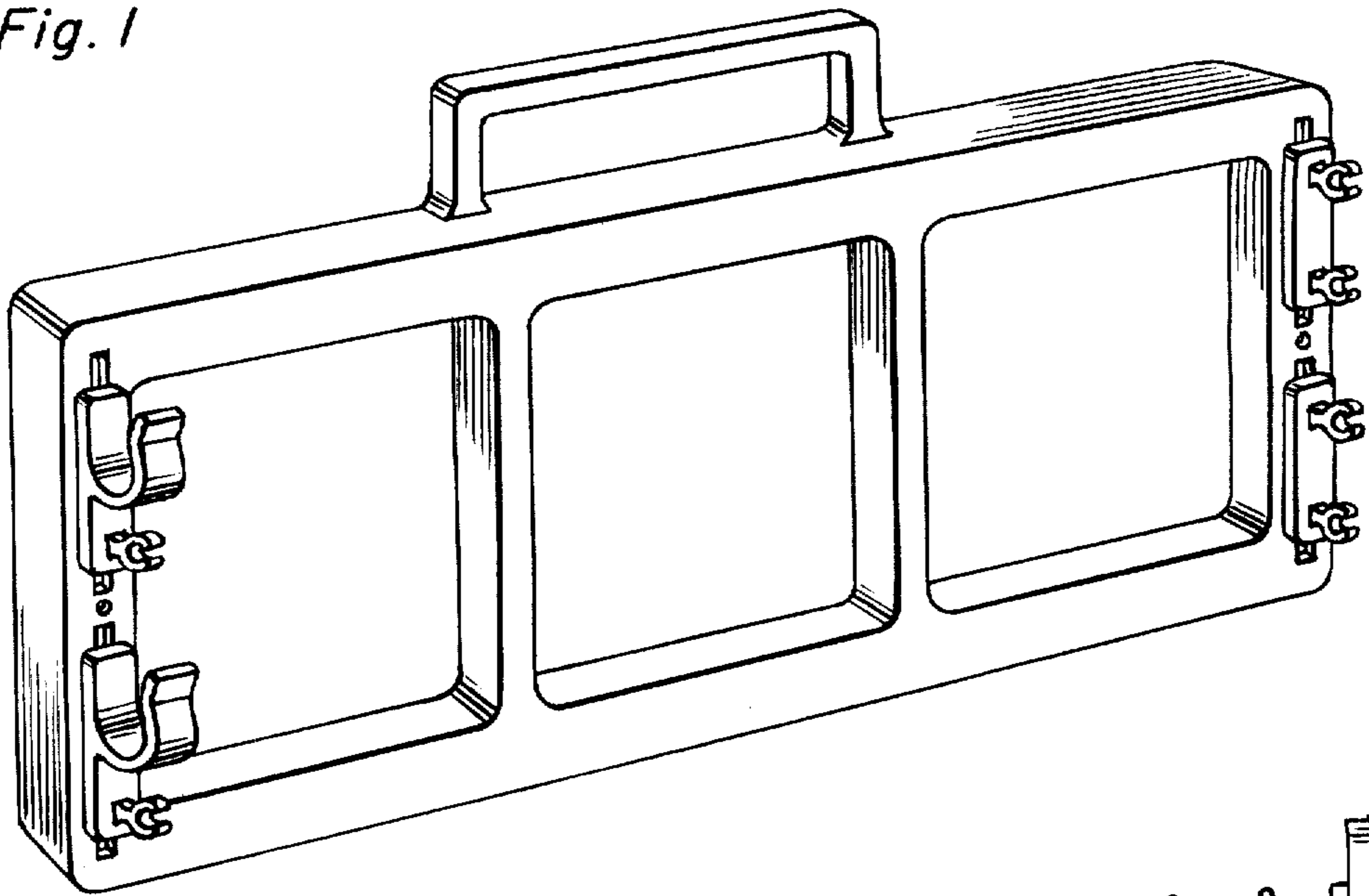


Fig. 4

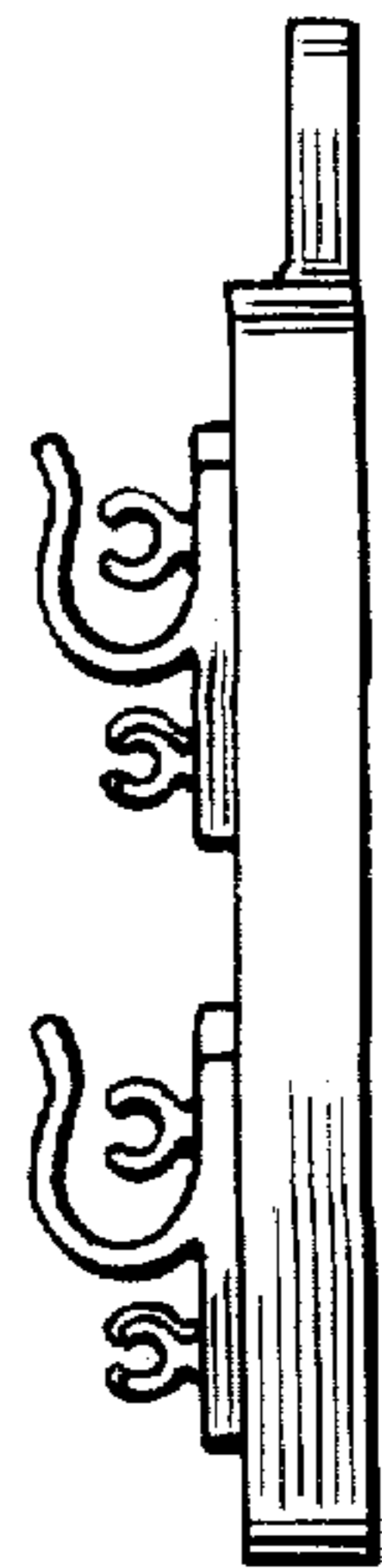


Fig. 2

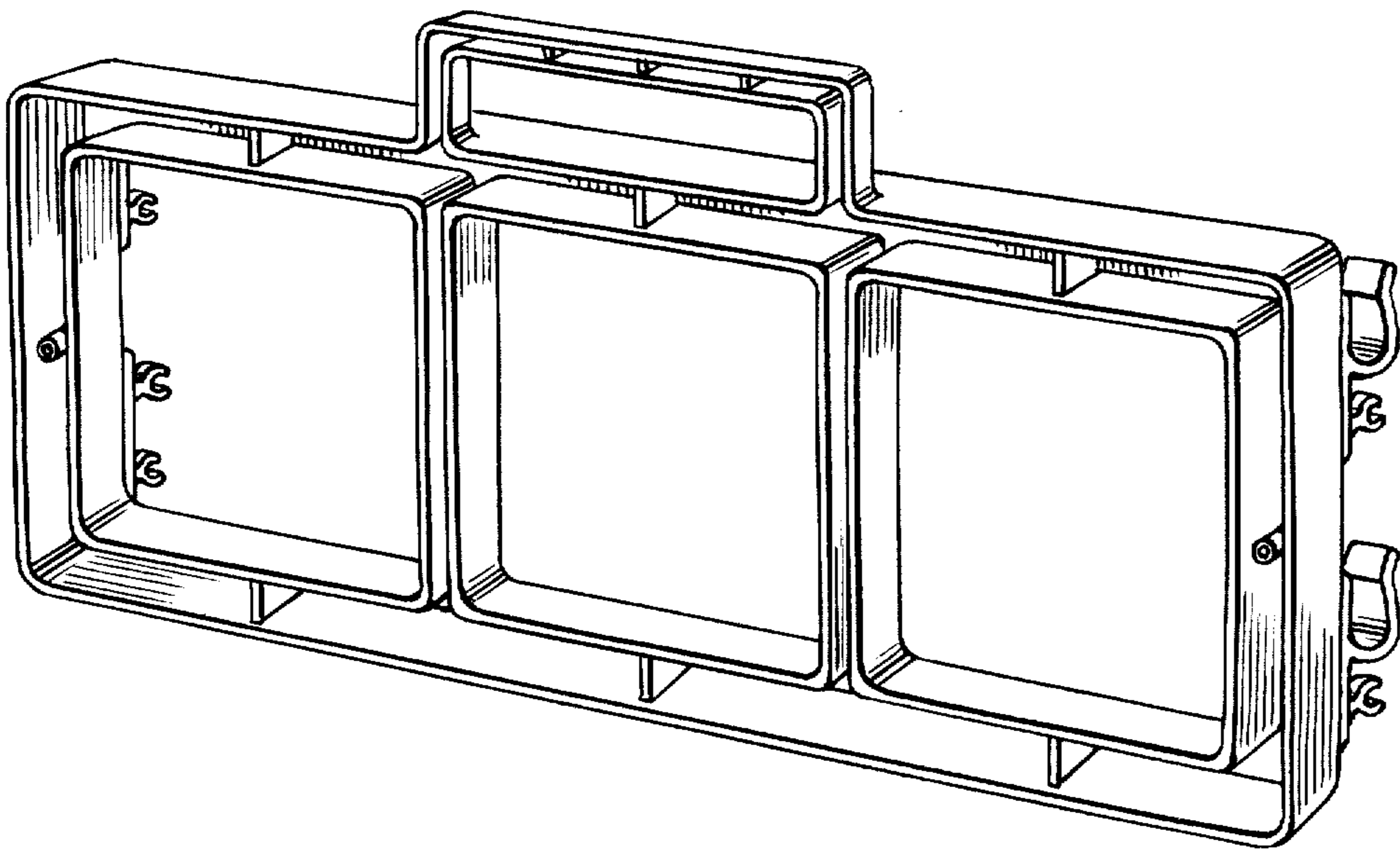


Fig. 3

