

[54] CHRISTMAS TREE STAND

[76] Inventor: **Ralph Ives**, Rte. 2, Box 281A, Lovettsville, Va. 22080

[**] Term: **14 Years**

[21] Appl. No.: **198,375**

[22] Filed: **Oct. 20, 1980**

[51] Int. Cl. **D6-99**

[52] U.S. Cl. **D6/105**

[58] Field of Search **D6/105; 47/42, 40.5; 248/511, 519, 529**

[56] **References Cited**

U.S. PATENT DOCUMENTS

958,644	5/1910	Huff	248/529
982,866	1/1911	Poppendieck	
1,496,272	6/1924	Jutz, Sr.	47/40.5
1,748,759	5/1929	Finnegan	
2,390,292	12/1945	Burton	
2,448,304	8/1948	Gabel	47/40.5
2,454,231	11/1948	Stoick	248/529
2,524,671	10/1950	Lampe	248/529
2,750,138	6/1956	Morris	47/40.5

2,875,968 3/1959 Ekola .
3,682,421 8/1972 Spiegel .
4,190,983 3/1980 Rostomily .

Primary Examiner—B. J. Bullock
Attorney, Agent, or Firm—Dowell & Dowell

[57] **CLAIM**

The ornamental design for a Christmas tree stand, as shown.

DESCRIPTION

FIG. 1 is a perspective view of a Christmas tree stand showing my new design.

FIG. 2 is a side elevational view taken from the right of FIG. 1.

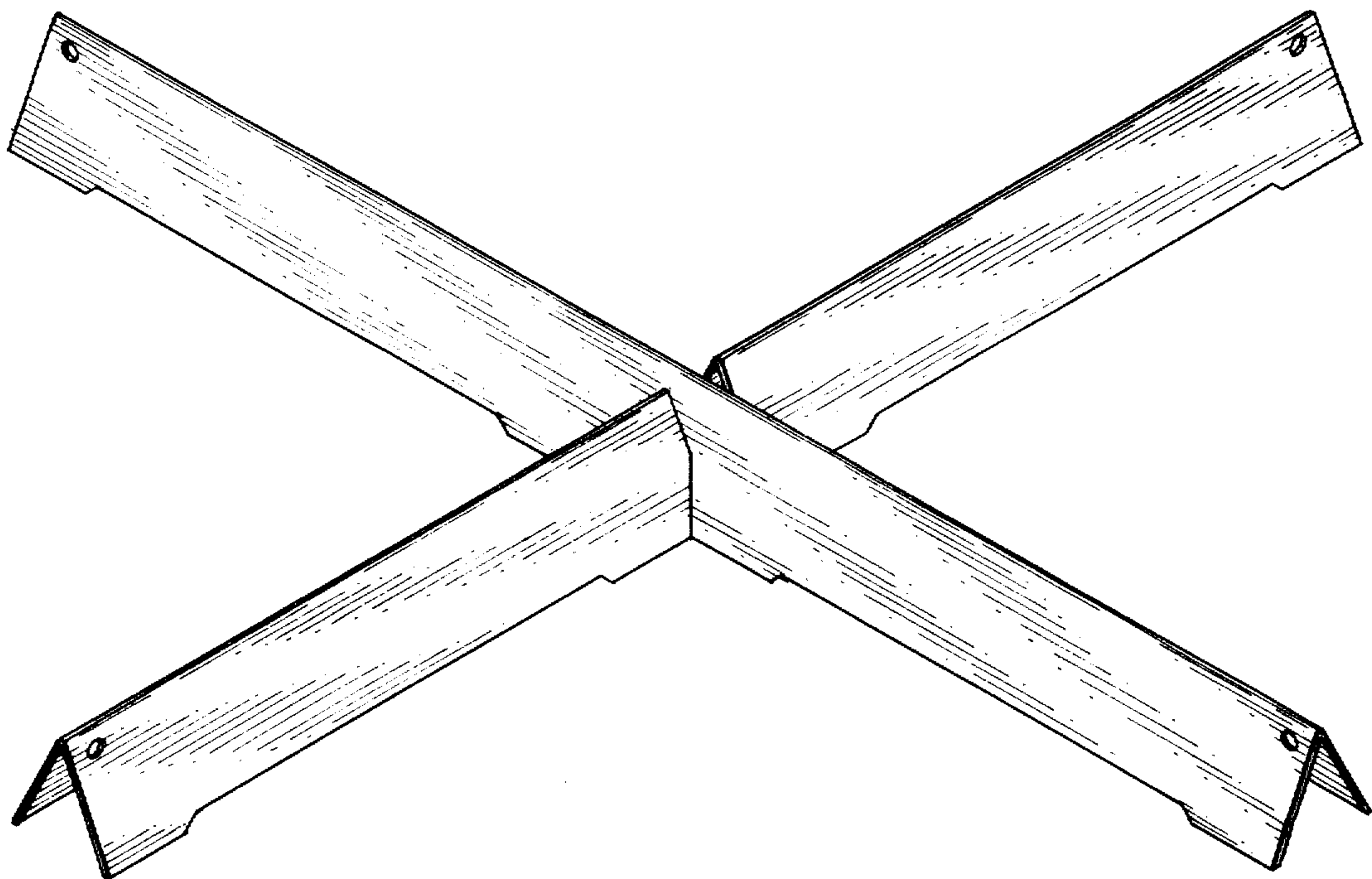
FIG. 3 is an end elevational view taken from the left of FIG. 1.

FIG. 4 is a perspective view of one of the elements.

FIG. 5 is a perspective view of the other element.

FIG. 6 is a side elevational view of the elements in stacked relationship with portions broken away for clarity.

FIG. 7 is an enlarged sectional view taken on the line 7-7 of FIG. 6.



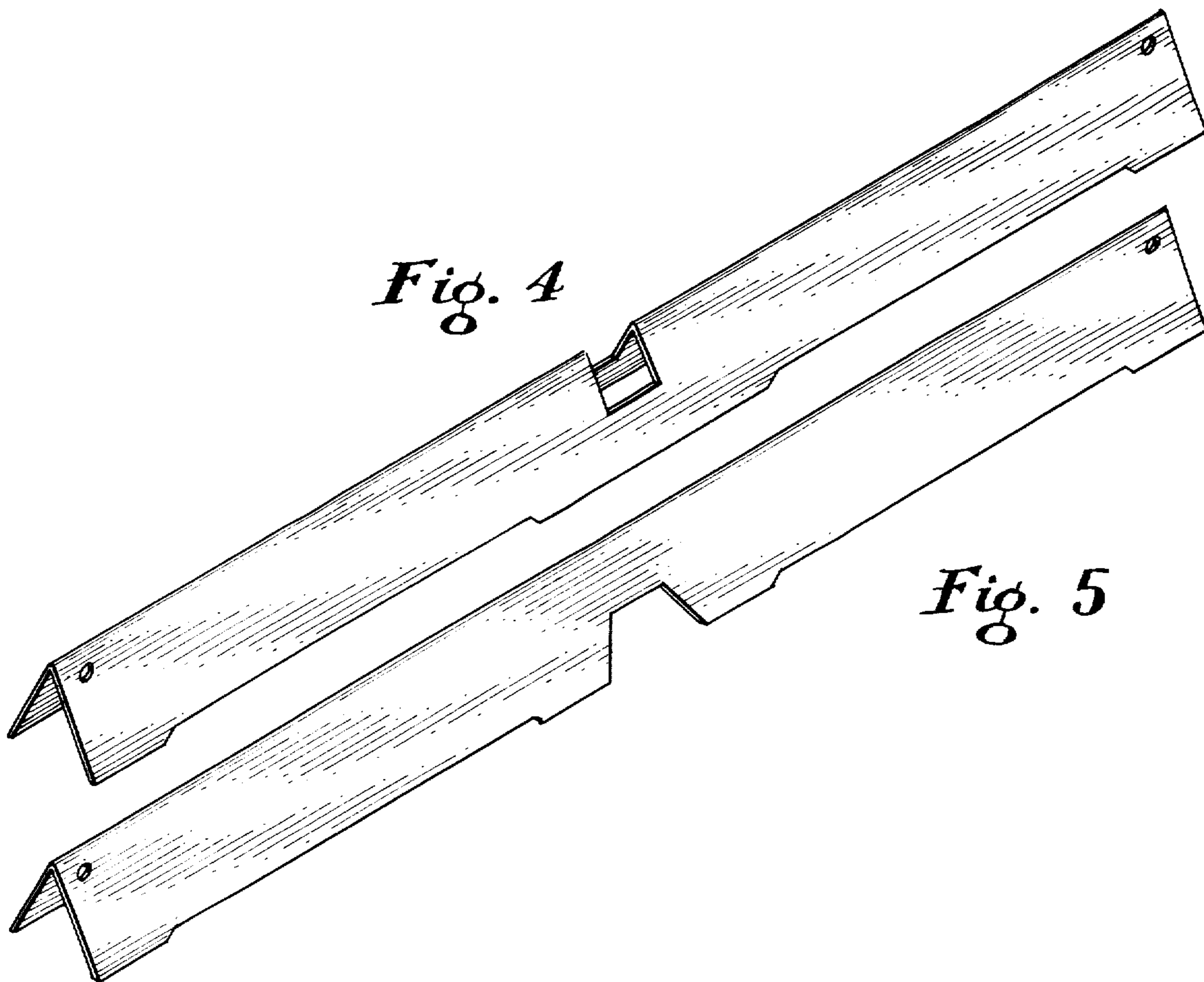
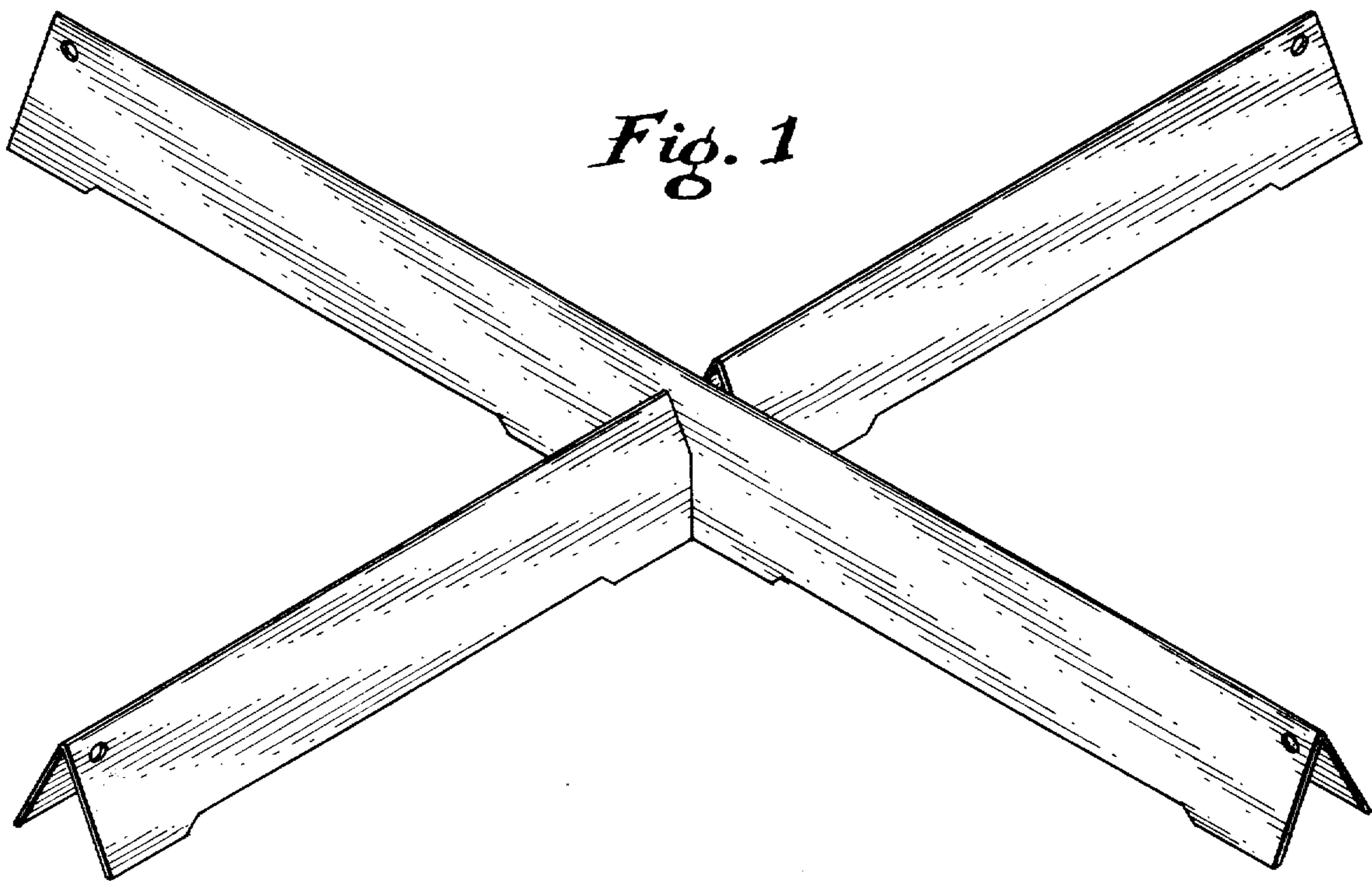


Fig. 2

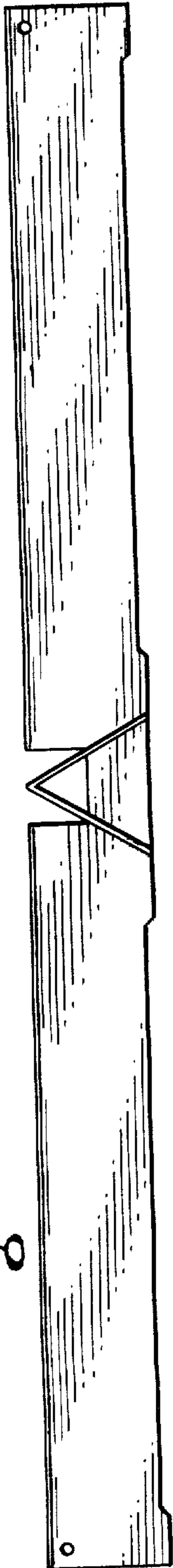


Fig. 3

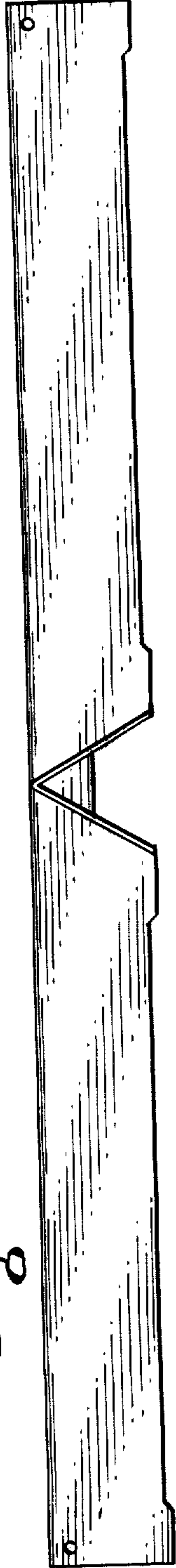


Fig. 6

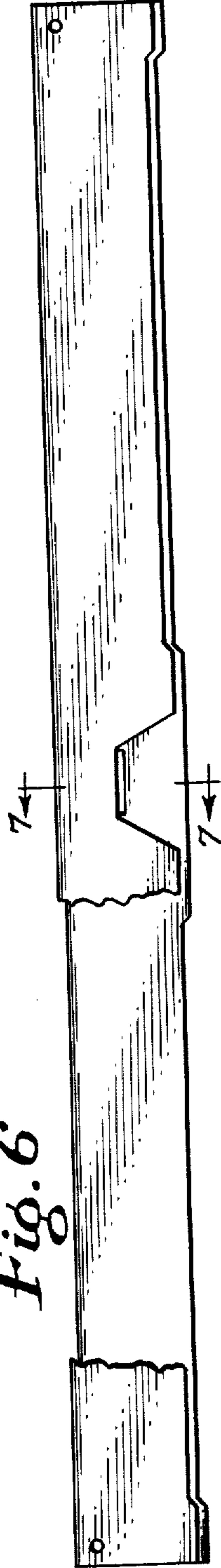


Fig. 7

