

[54] **ADJUSTABLE SUPPORT STAND**

[75] Inventor: **Darrell A. Schoenig**, Fort Collins,  
                  **Colo.**

[73] Assignee: **Teledyne Industries, Inc.**

[\*\*] Term: **14 Years**

[21] Appl. No.: **239,124**

[22] Filed: **Feb. 27, 1981**

[51] Int. Cl. .... **D6-99**

[52] U.S. Cl. .... **D6/29; D6/18;**  
  **D6/176**

[58] Field of Search .... **D6/20-29,**  
                                  **D6/18, 176, 191; 248/127, 158, 161, 188.7, 194;**  
  **108/115**

[56]

**References Cited**

**U.S. PATENT DOCUMENTS**

D. 120,114	4/1940	Waechter	.....	D6/18
D. 230,108	1/1974	Sloan	.....	D6/26
3,078,063	2/1963	Frankl	.....	248/194
3,113,531	12/1963	Barnard	.....	108/115

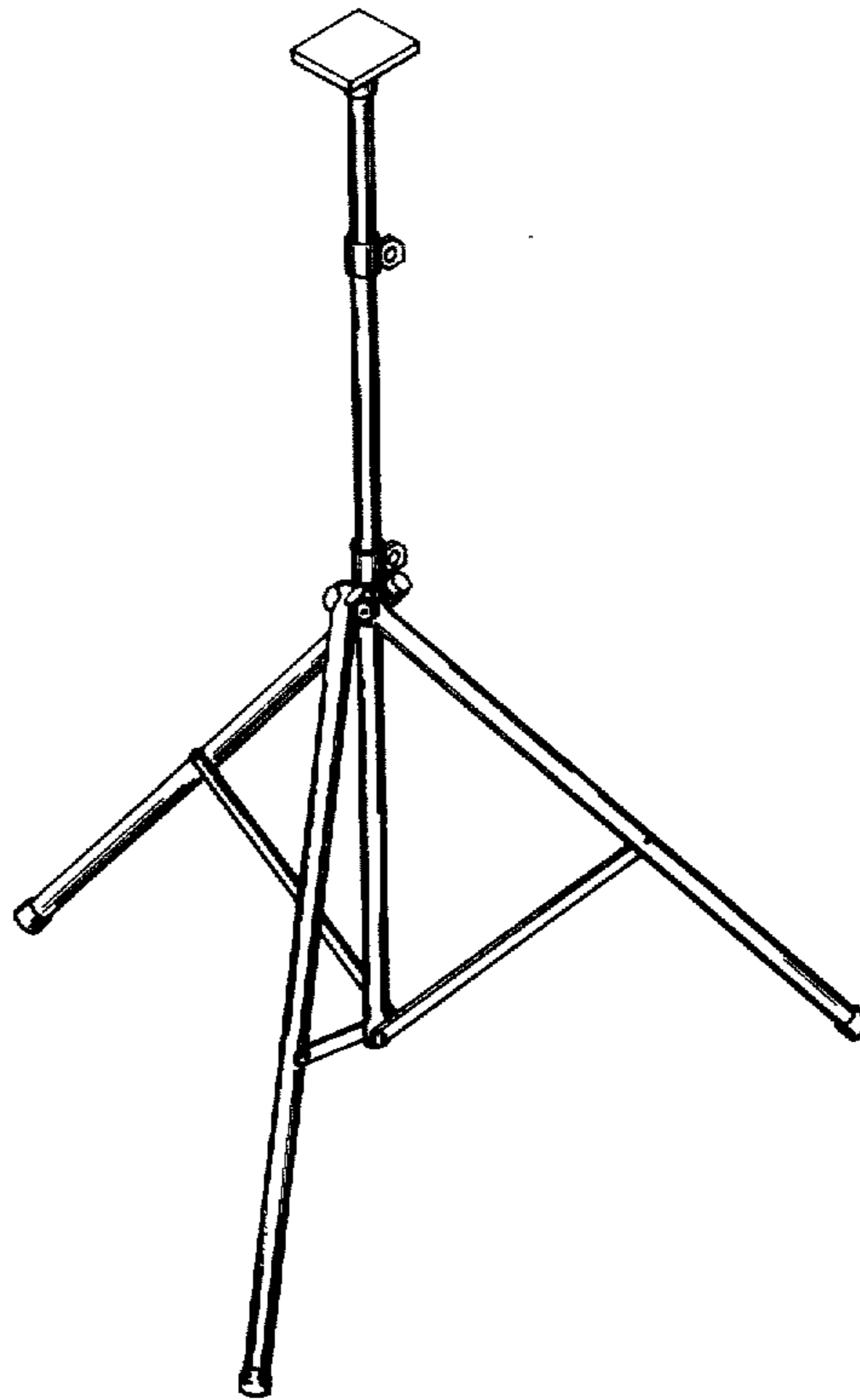
*Primary Examiner*—**Bruce W. Dunkins**  
*Attorney, Agent, or Firm*—**Hugh H. Drake**

[57] **CLAIM**

The ornamental design for an adjustable support stand,  
as shown.

**DESCRIPTION**

FIG. 1 is an isometric view of an adjustable support stand embodying my invention;  
FIG. 2 is a front elevational view thereof;  
FIG. 3 is a rear elevational view thereof;  
FIG. 4 is a side elevational view thereof;  
FIG. 5 is an opposite side elevational view thereof;  
FIG. 6 is a top plan view thereof; and  
FIG. 7 is a bottom plan view thereof.



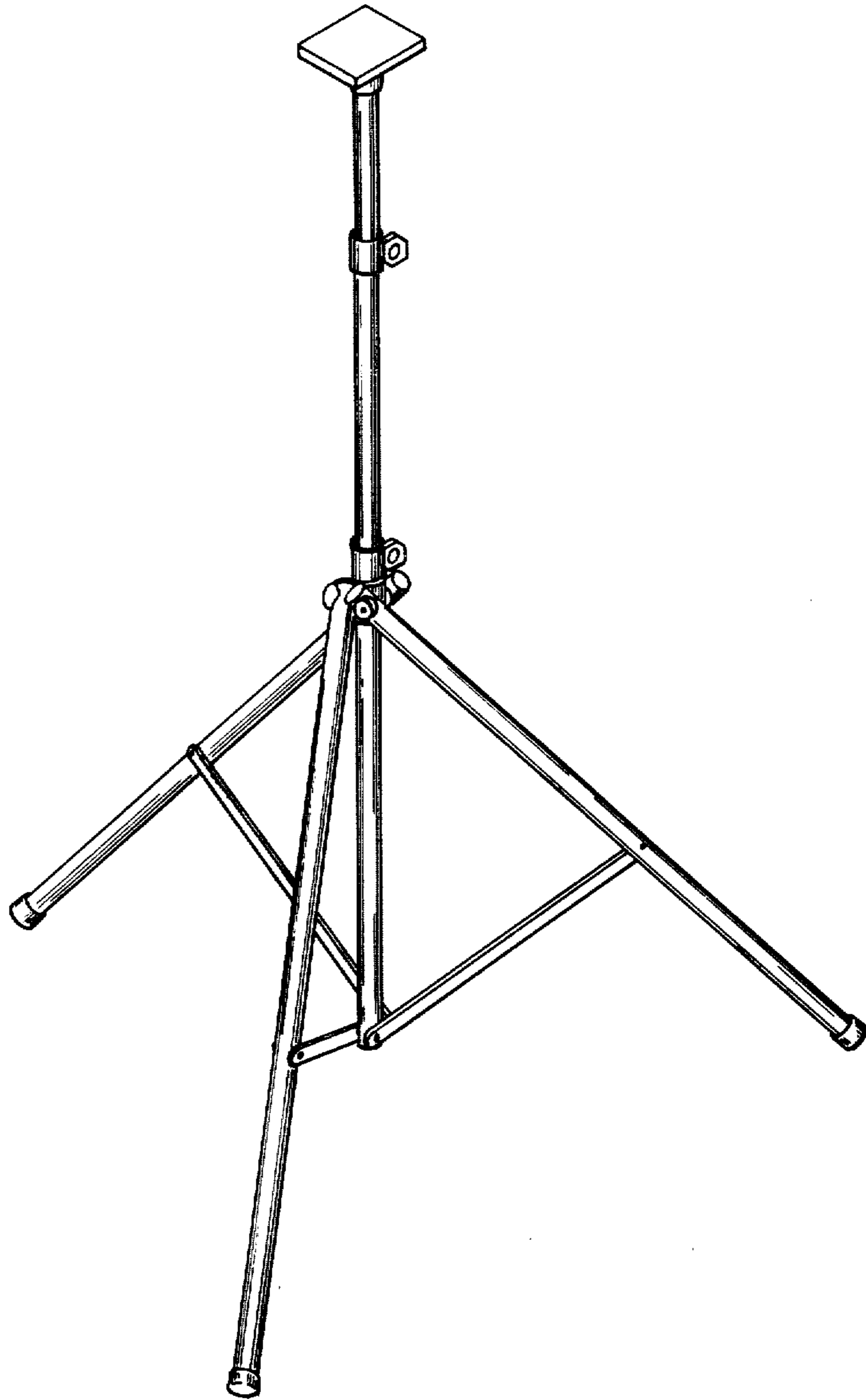
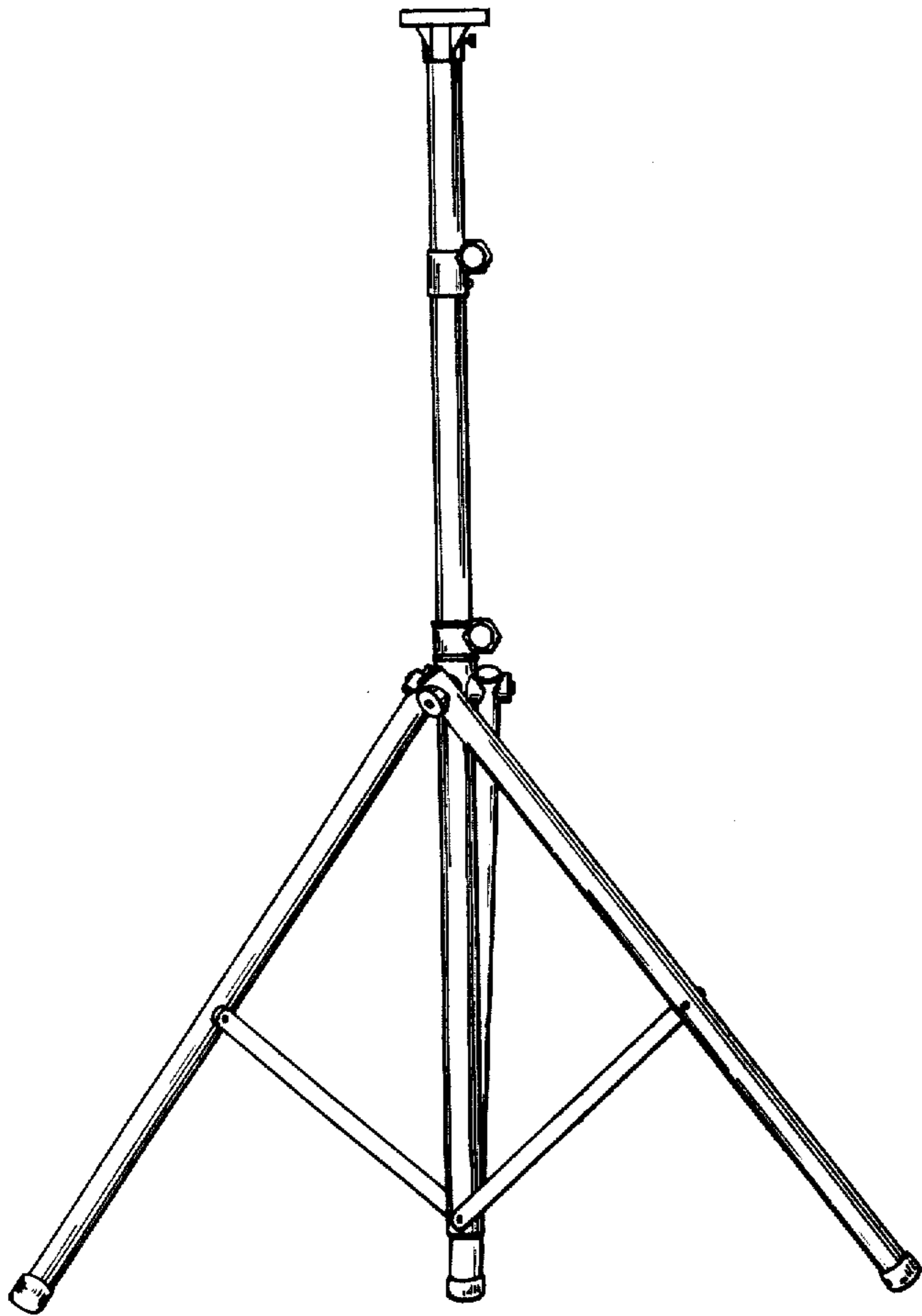
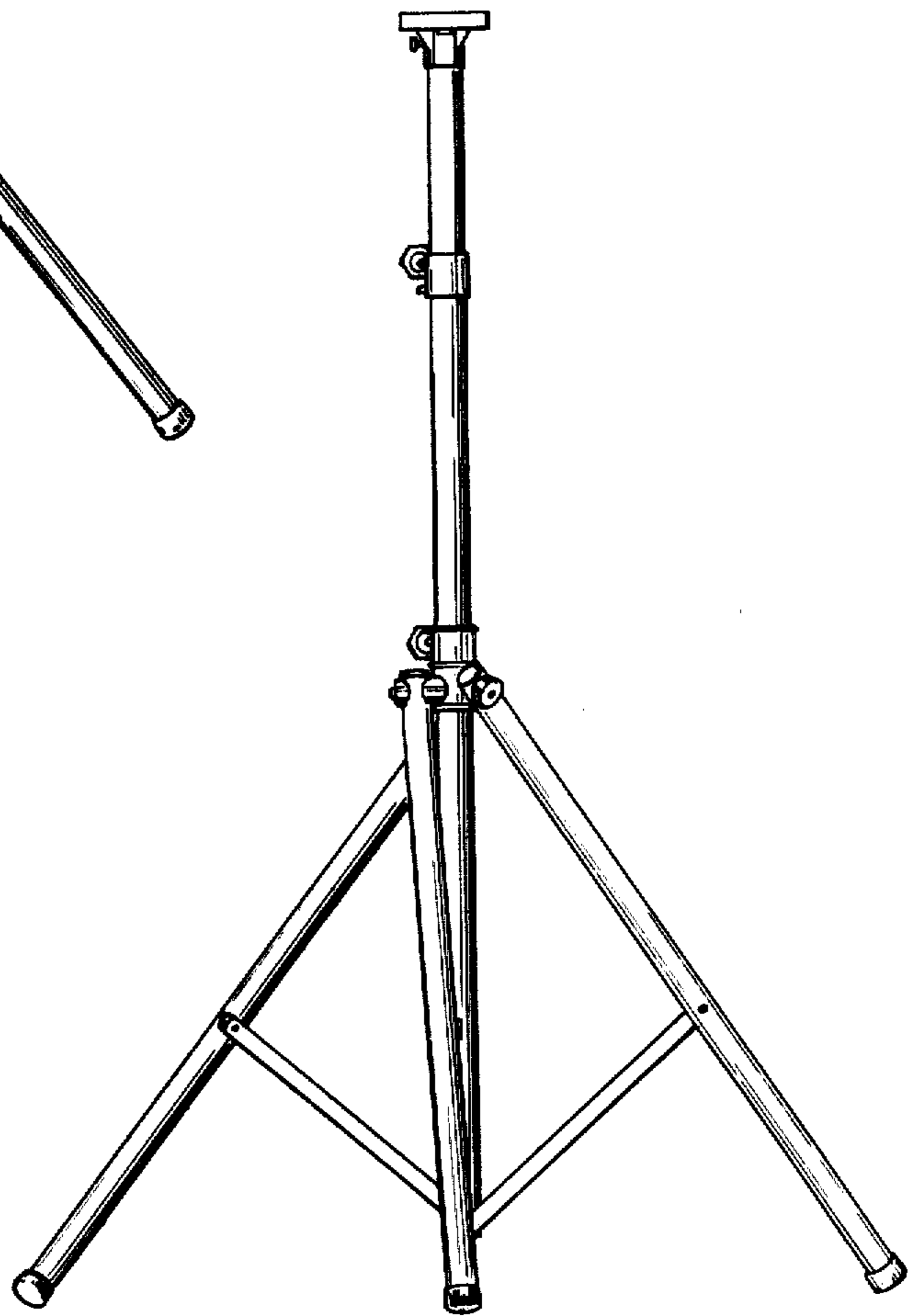


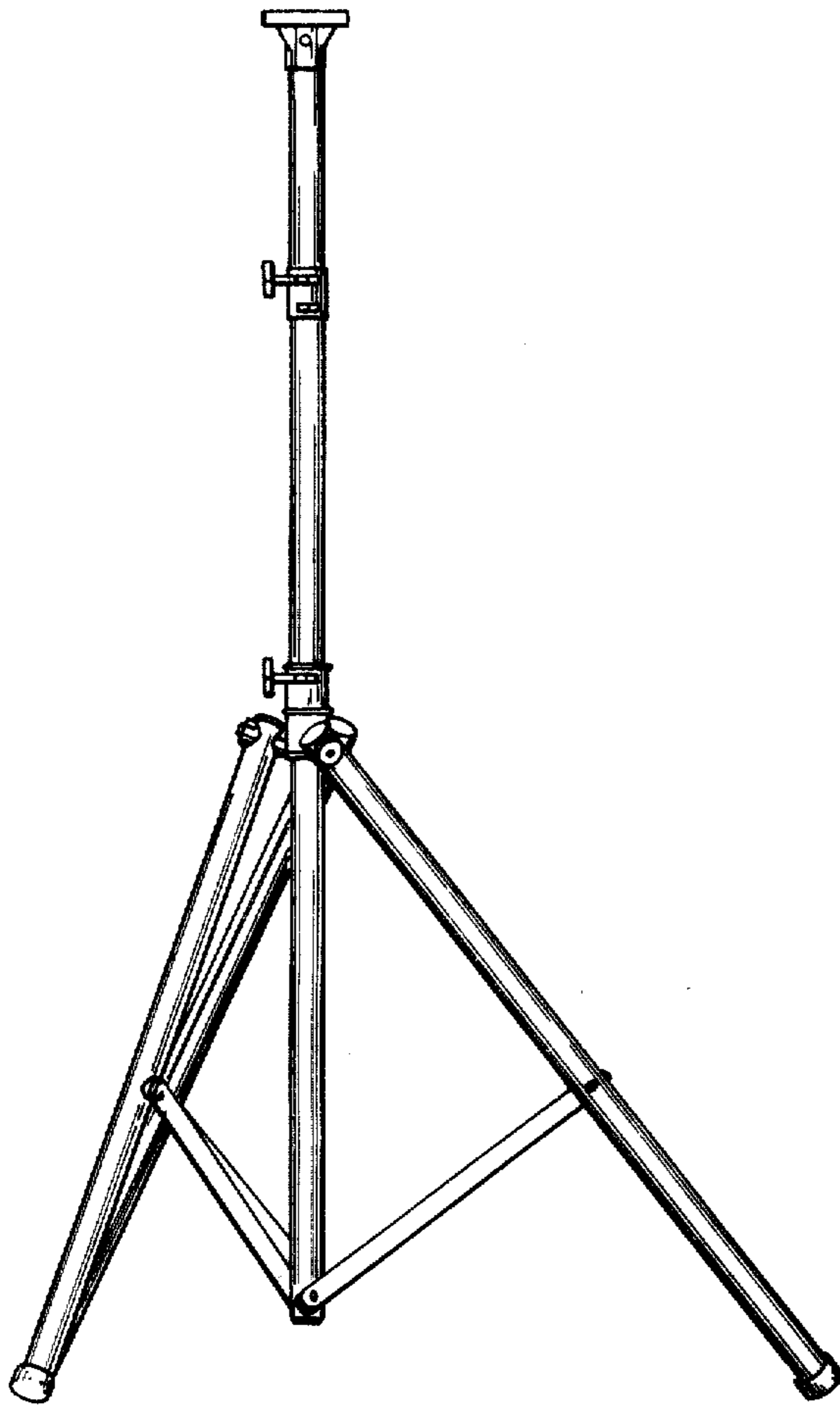
FIG. 1



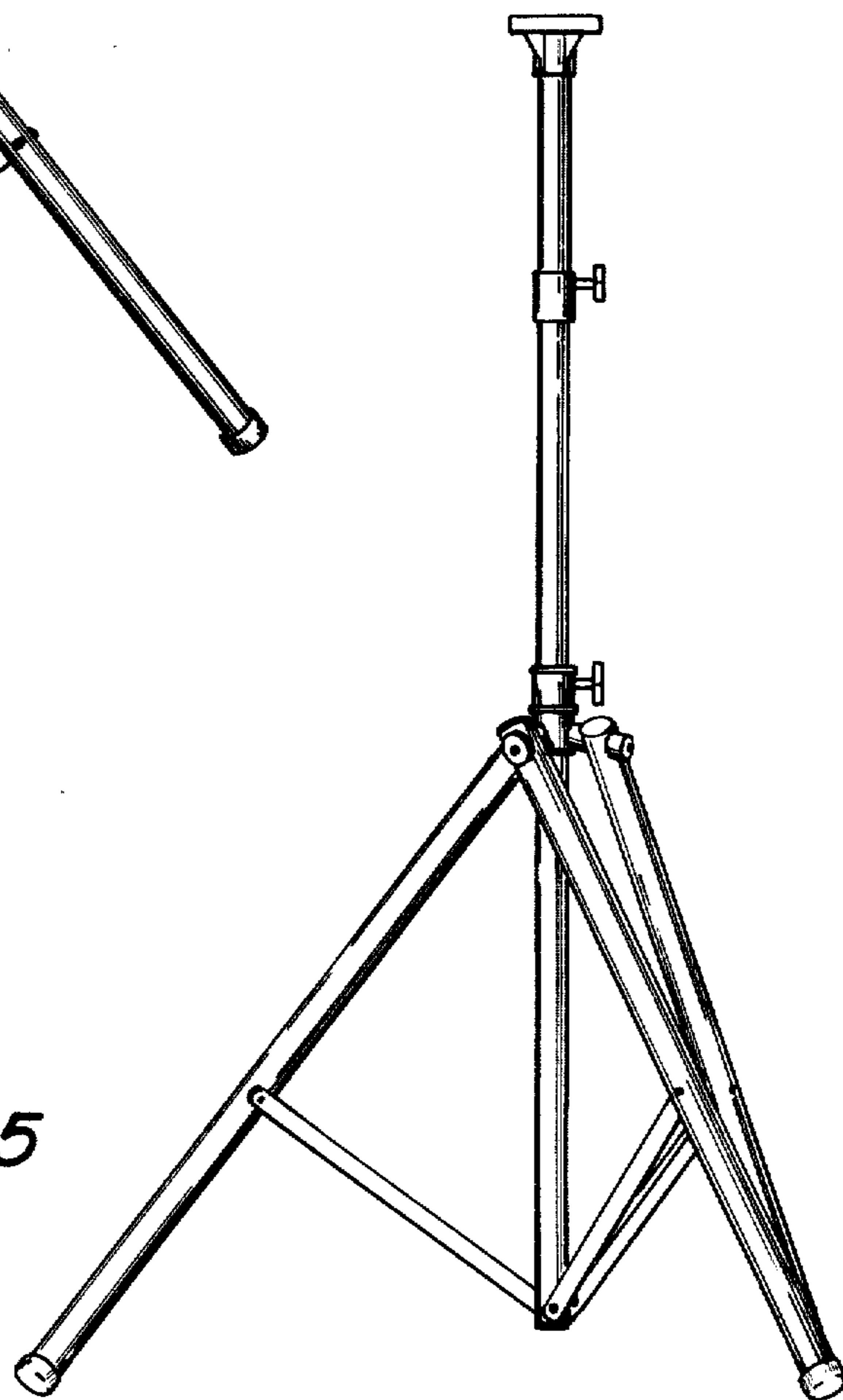
*FIG. 2*



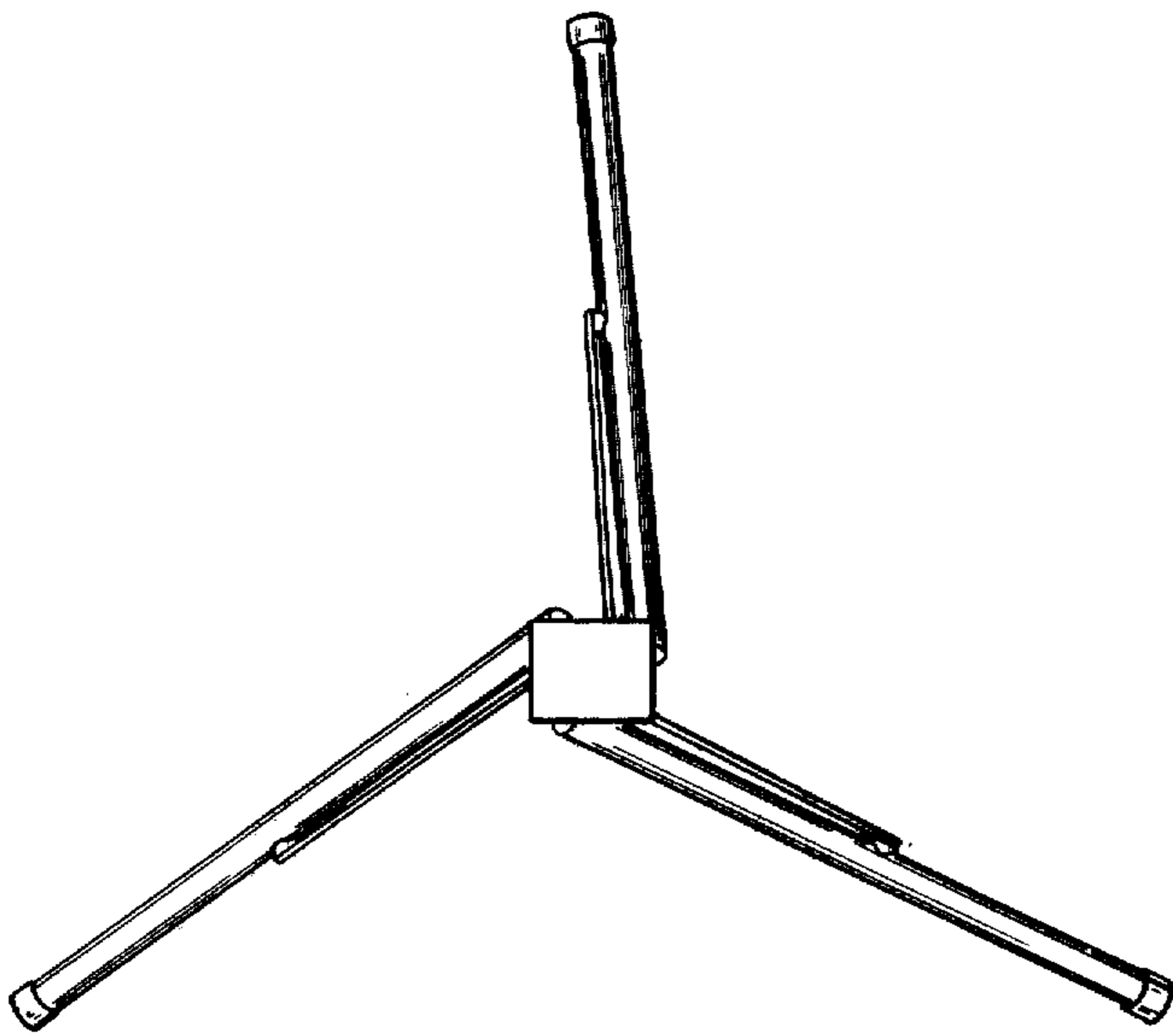
*FIG. 3*



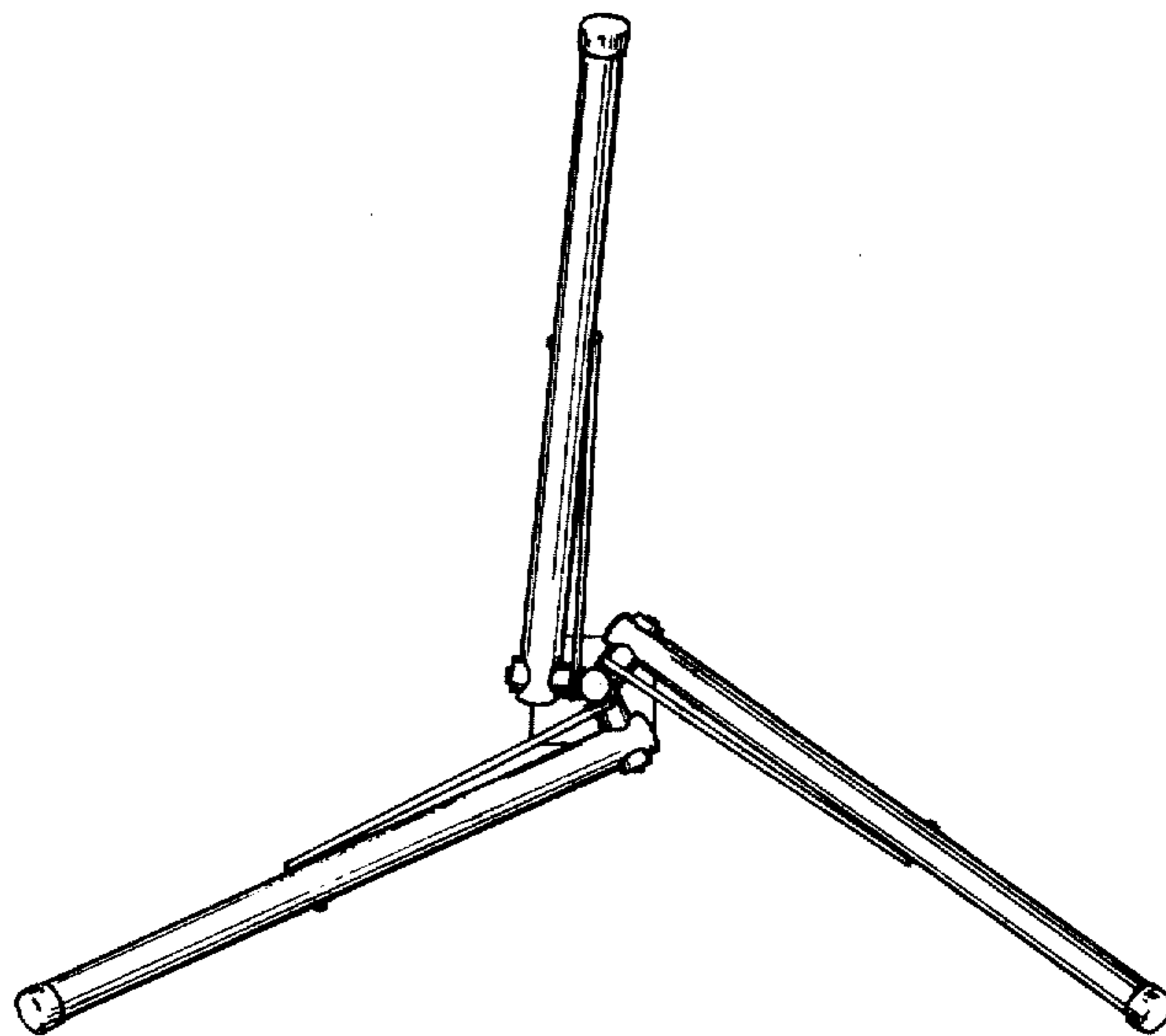
*FIG. 4*



*FIG. 5*



*FIG. 6*



*FIG. 7*

UNITED STATES PATENT OFFICE  
CERTIFICATE OF CORRECTION

Patent No. Des. 268,458 Dated April 5, 1983

Inventor(s) Darrell A. Schoenig

It is certified that error appears in the above-identified patent and that said Letters Patent are hereby corrected as shown below:

On the title page, delete Item 73 Assignee:

**Signed and Sealed this**

*Twenty-sixth* **Day of** *July* 1983.

[SEAL]

*Attest:*

*Attesting Officer*

**GERALD J. MOSSINGHOFF**

*Commissioner of Patents and Trademarks*