

[54] CASE FOR A PORTABLE TYPEWRITER

[75] Inventor: Mario Bellini, Milan, Italy

[73] Assignee: Ing. C. Olivetti & C. S.p.A., Ivrea, Italy

[**] Term: 14 Years

[21] Appl. No.: 244,738

[22] Filed: Mar. 17, 1981

[30] Foreign Application Priority Data

Sep. 17, 1980 [IT] Italy 53514/80[U]

[51] Int. Cl. D3-02

[52] U.S. Cl. D3/72; D3/76

[58] Field of Search D3/30.1, 35, 72, 73, D3/76; 400/691; D18/1; 312/244; 206/387

[56]

References Cited

U.S. PATENT DOCUMENTS

D. 216,853	3/1970	Schurman	D3/72
D. 245,479	8/1977	Malcolm	D3/73
D. 253,978	1/1980	Osit	D3/72
D. 259,975	7/1981	LaBarbera	D3/72
D. 260,202	8/1981	Middleton	D3/72

Primary Examiner—George P. Word
Attorney, Agent, or Firm—Edward F. McKie, Jr.

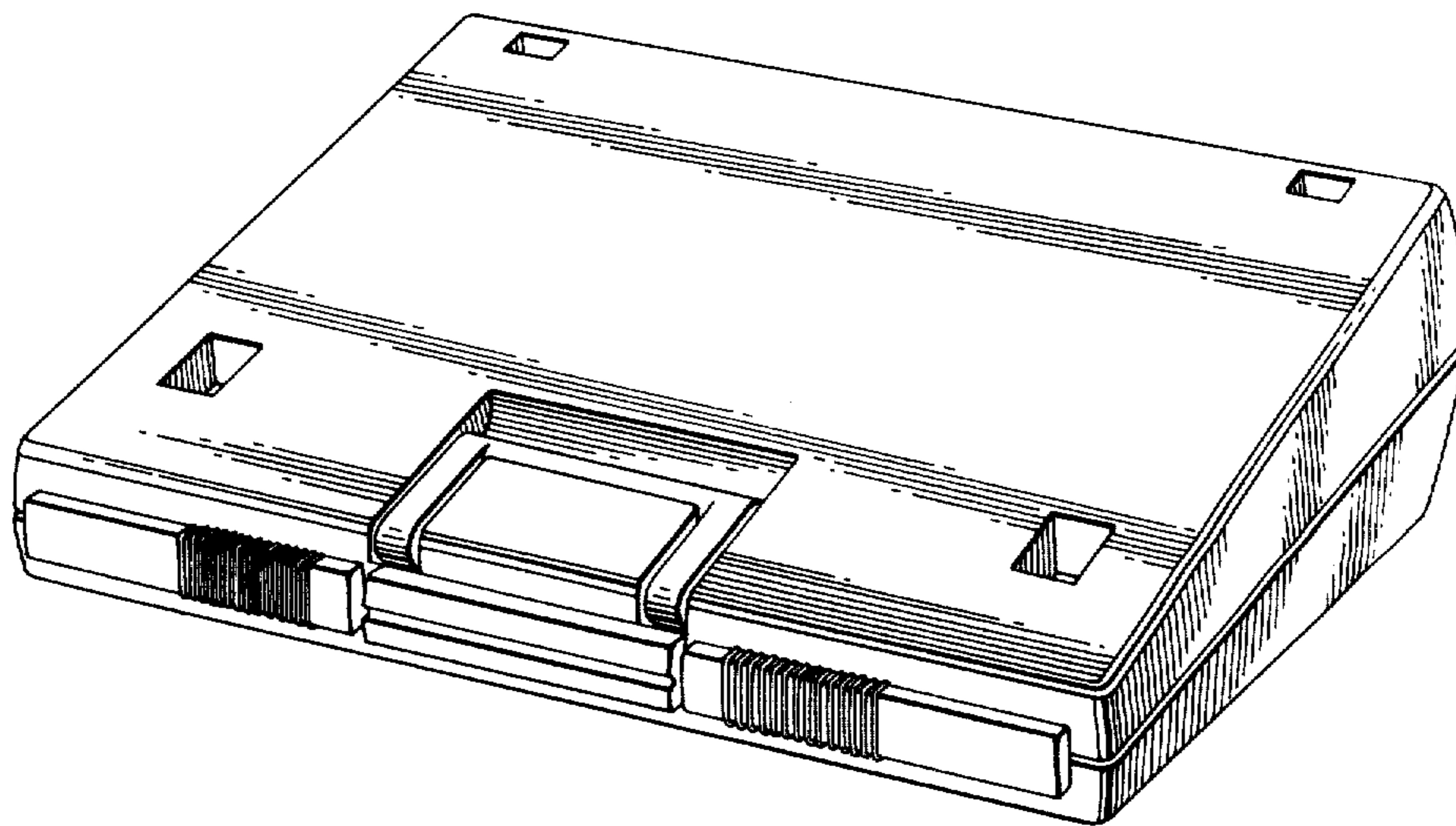
[57]

CLAIM

The ornamental design for a case for a portable typewriter, substantially as shown and described.

DESCRIPTION

FIG. 1 is a right front perspective view of a case for a portable typewriter showing my new design; FIG. 2 is a left rear perspective view thereof; FIG. 3 is a left side elevational view thereof; and FIG. 4 is a bottom plan view thereof.



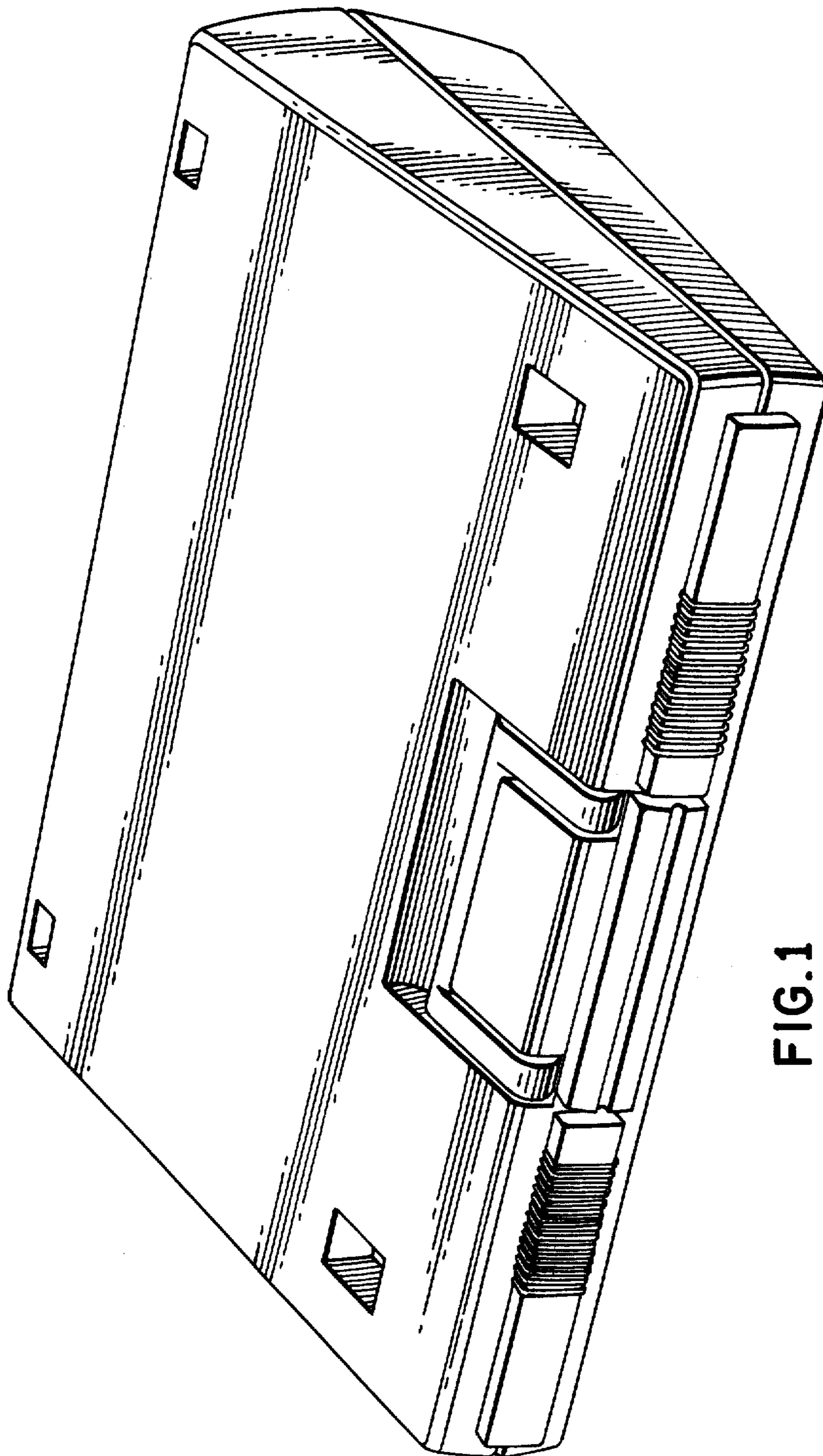


FIG. 1

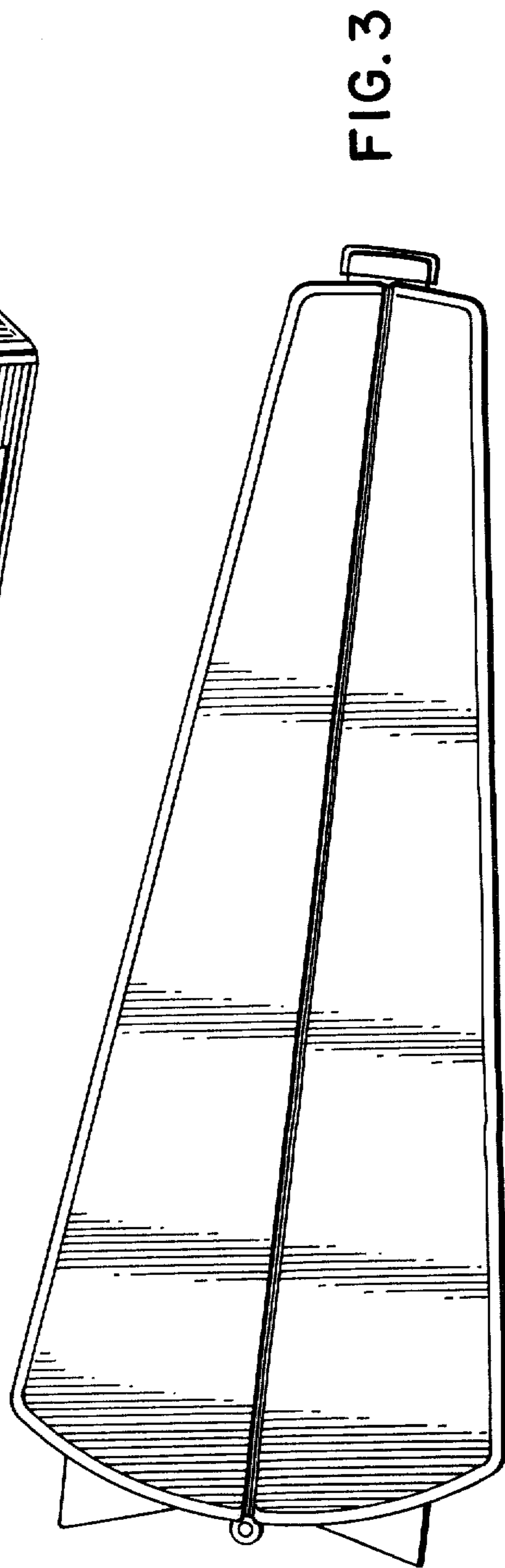
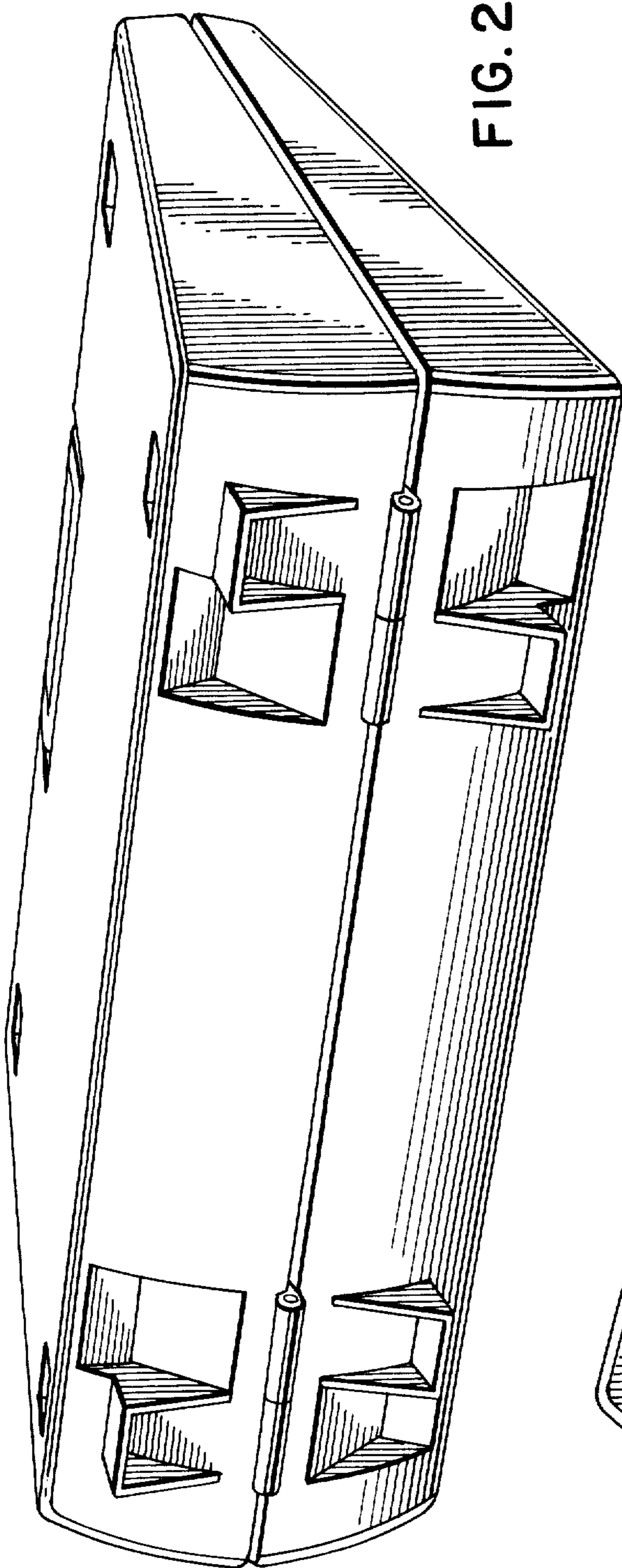


FIG. 4

