

[54] **BOOM HOIST**

[75] **Inventors:** F. Gregory Callahan, Havertown, Pa.; Richard S. Sabo, Marlton, N.J.

[73] **Assignee:** Hazard Controls Inc., Cherry Hill, N.J.

[\*\*] **Term:** 14 Years

[21] **Appl. No.:** 204,307

[22] **Filed:** Nov. 5, 1980

[51] **Int. Cl.** ..... D12-05

[52] **U.S. Cl.** ..... D34/33

[58] **Field of Search** ..... 254/10 C; 212/266, 267, 212/268, 269; 414/560, 563, 592; D34/33, 34, 35, 36

[56] **References Cited**

**U.S. PATENT DOCUMENTS**

D. 182,152	2/1958	Wicke et al.	.....	D34/33
D. 241,839	10/1976	Kammeraad	.....	D34/33 X
3,084,808	4/1963	Peduzzi et al.	.....	D34/33 X
3,863,890	2/1975	Ruffing	.....	D34/33 X

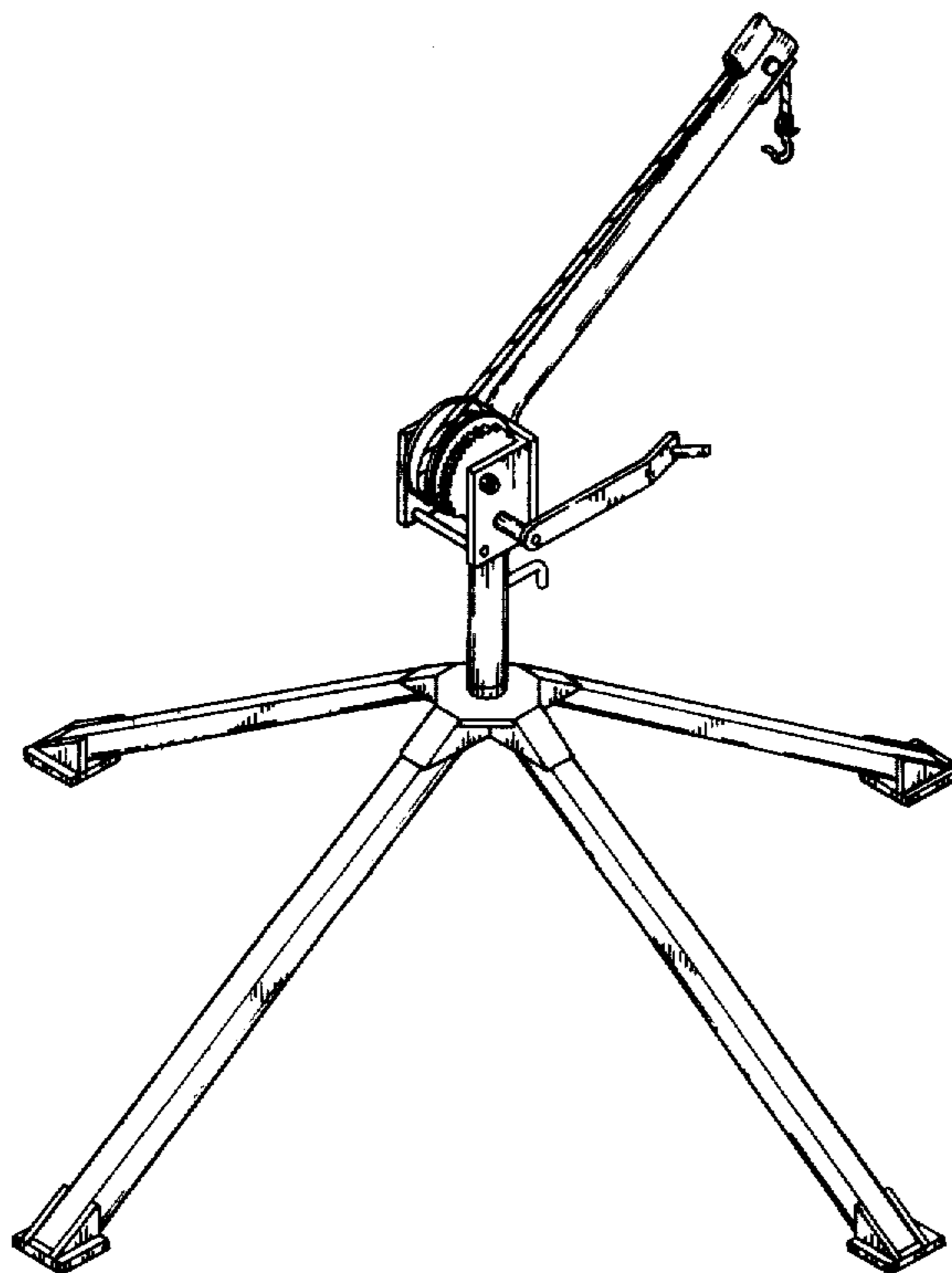
*Primary Examiner*—A. Hugo Word  
*Attorney, Agent, or Firm*—Duffield & Lehrer

[57] **CLAIM**

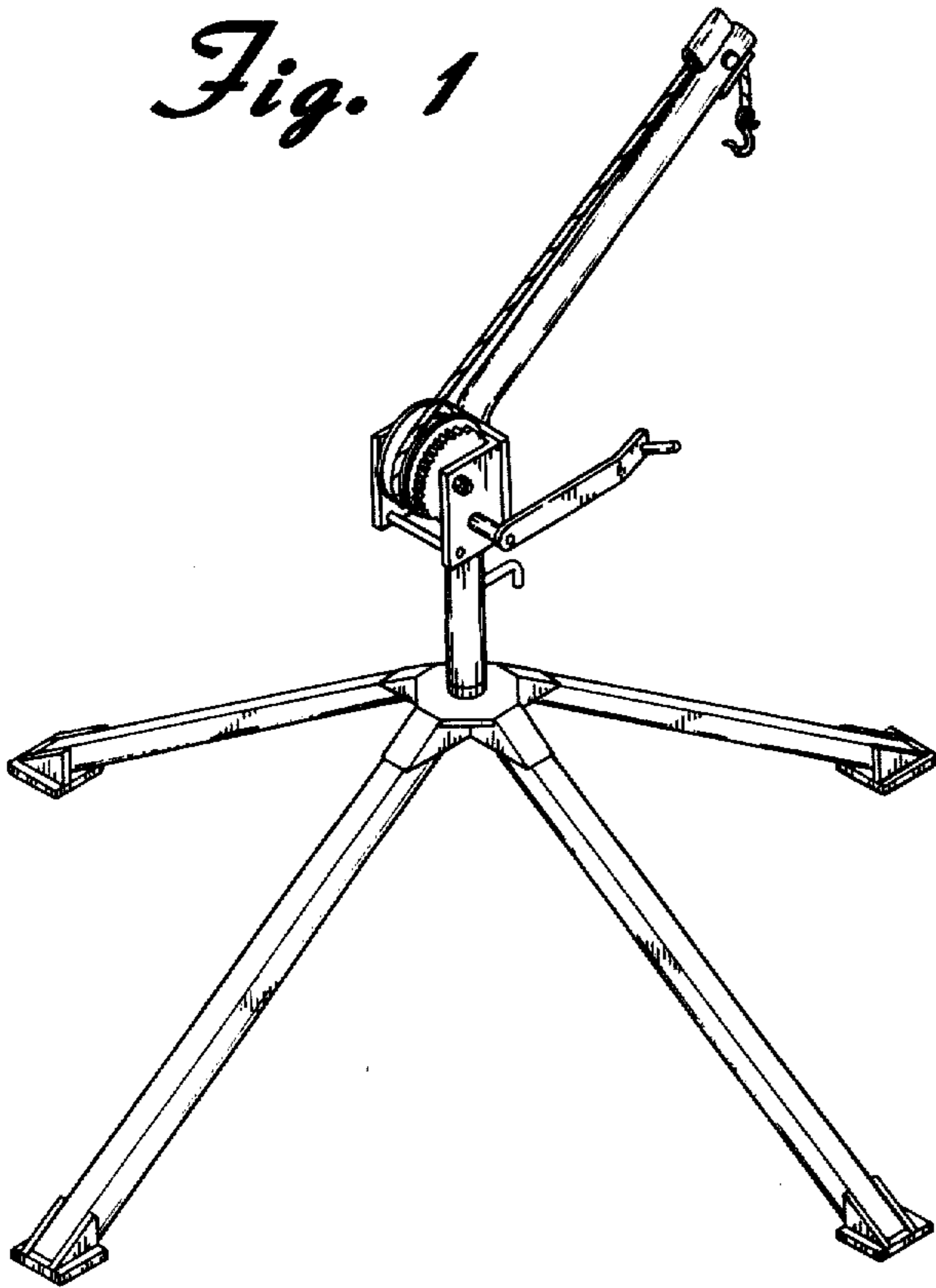
The ornamental design for a boom hoist, substantially as shown and described.

**DESCRIPTION**

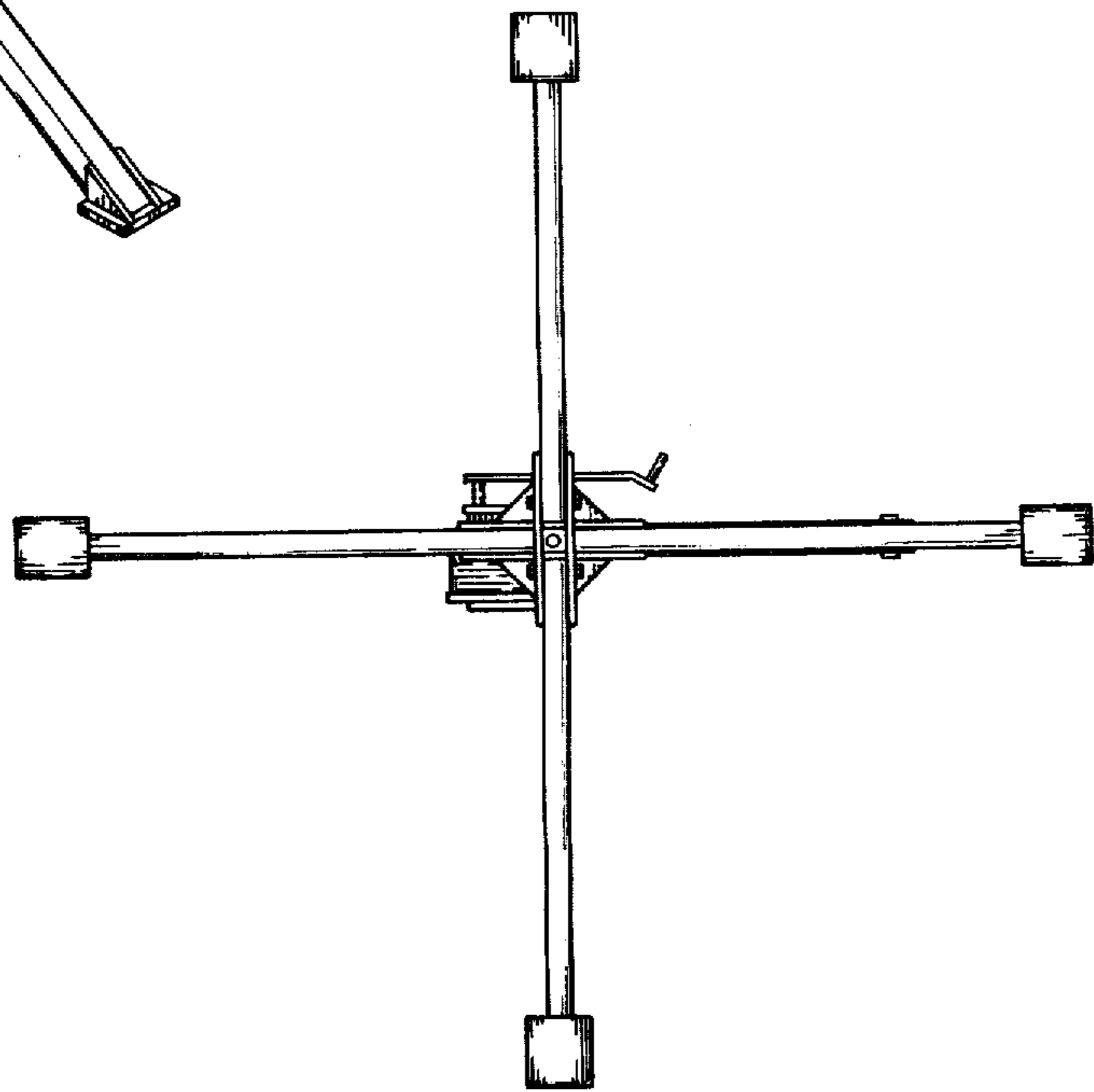
FIG. 1 is a top left side perspective view of a "boom hoist" showing our new design; FIG. 2 is a top right side perspective view thereof, and FIG. 3 is a bottom plan view thereof.



*Fig. 1*



*Fig. 3*



*Fig. 2*

