

[54] BIRD CAGE

[76] Inventor: Gary L. Young, 54 Best St., North Fitzroy, Victoria, Australia

[**] Term: 14 Years

[21] Appl. No.: 166,121

[22] Filed: Jul. 7, 1980

[51] Int. Cl. D30-02

[52] U.S. Cl. D30/4; D11/145

[58] Field of Search D30/1-5; D11/145; 119/23; D7/17, 71; 47/34

[56] References Cited

U.S. PATENT DOCUMENTS

- D. 195,409 6/1963 Waite D30/14
- D. 243,648 3/1977 Conroy D7/71
- 3,182,635 5/1965 Waite 119/51 R

- 3,650,384 3/1972 Pegg 206/45.3 A
- 3,753,314 8/1973 Clark D7/17 X
- 3,847,305 11/1974 Tobin D7/17 X
- 3,903,642 9/1975 Yellin D11/145 X

Primary Examiner—James R. Largen
Attorney, Agent, or Firm—Antonelli, Terry and Wands

[57] CLAIM

The ornamental design for a bird cage, as shown and described.

DESCRIPTION

FIG. 1 is a perspective view of a bird cage showing my new design;
 FIG. 2 is a top plan view thereof;
 FIG. 3 is a rear elevational view thereof;
 FIG. 4 is a front elevational view thereof;
 FIG. 5 is a left side elevational view thereof, the right side being a mirror image of the left side shown; and
 FIG. 6 is a bottom plan view thereof.

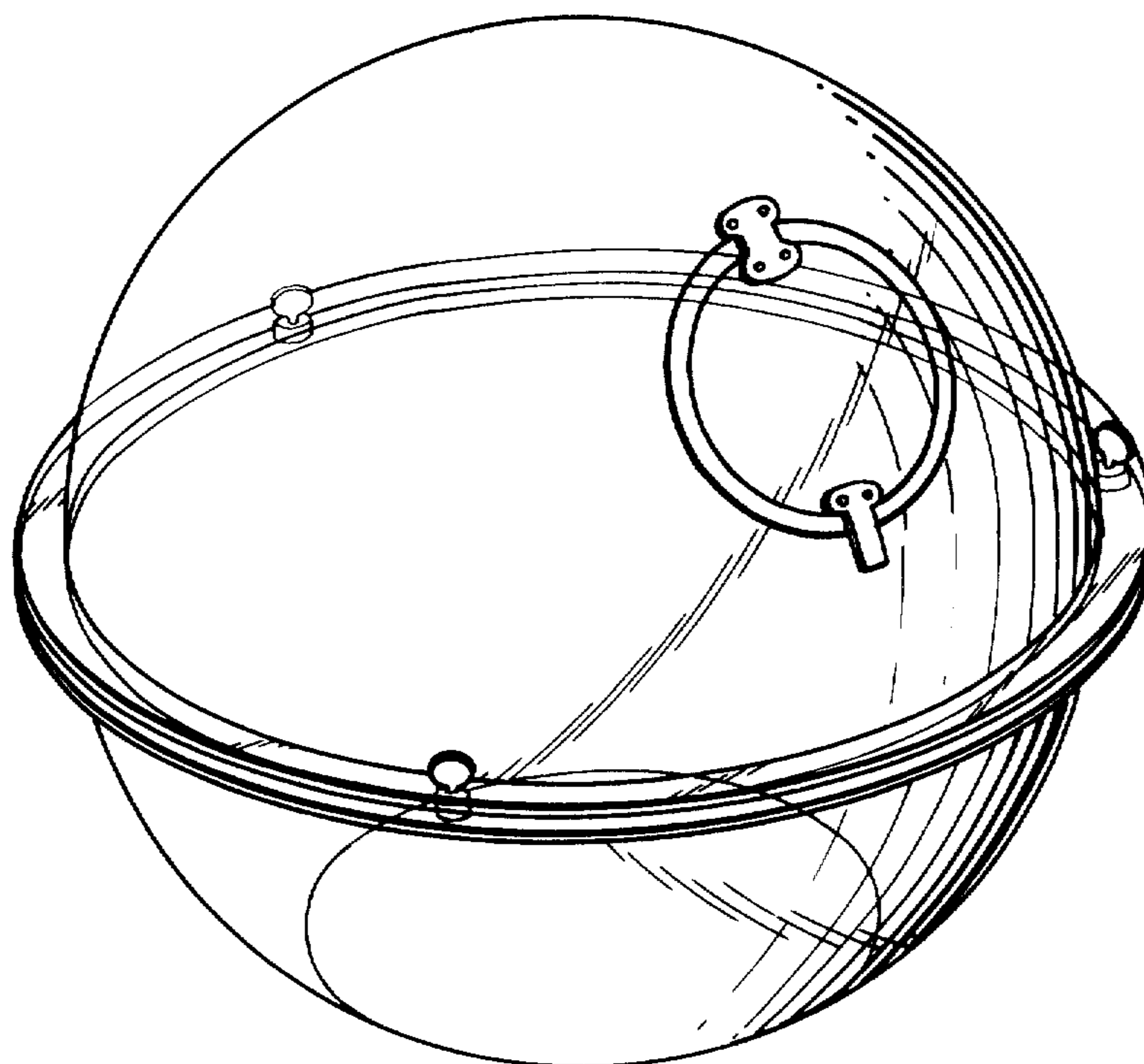


FIG. 1.

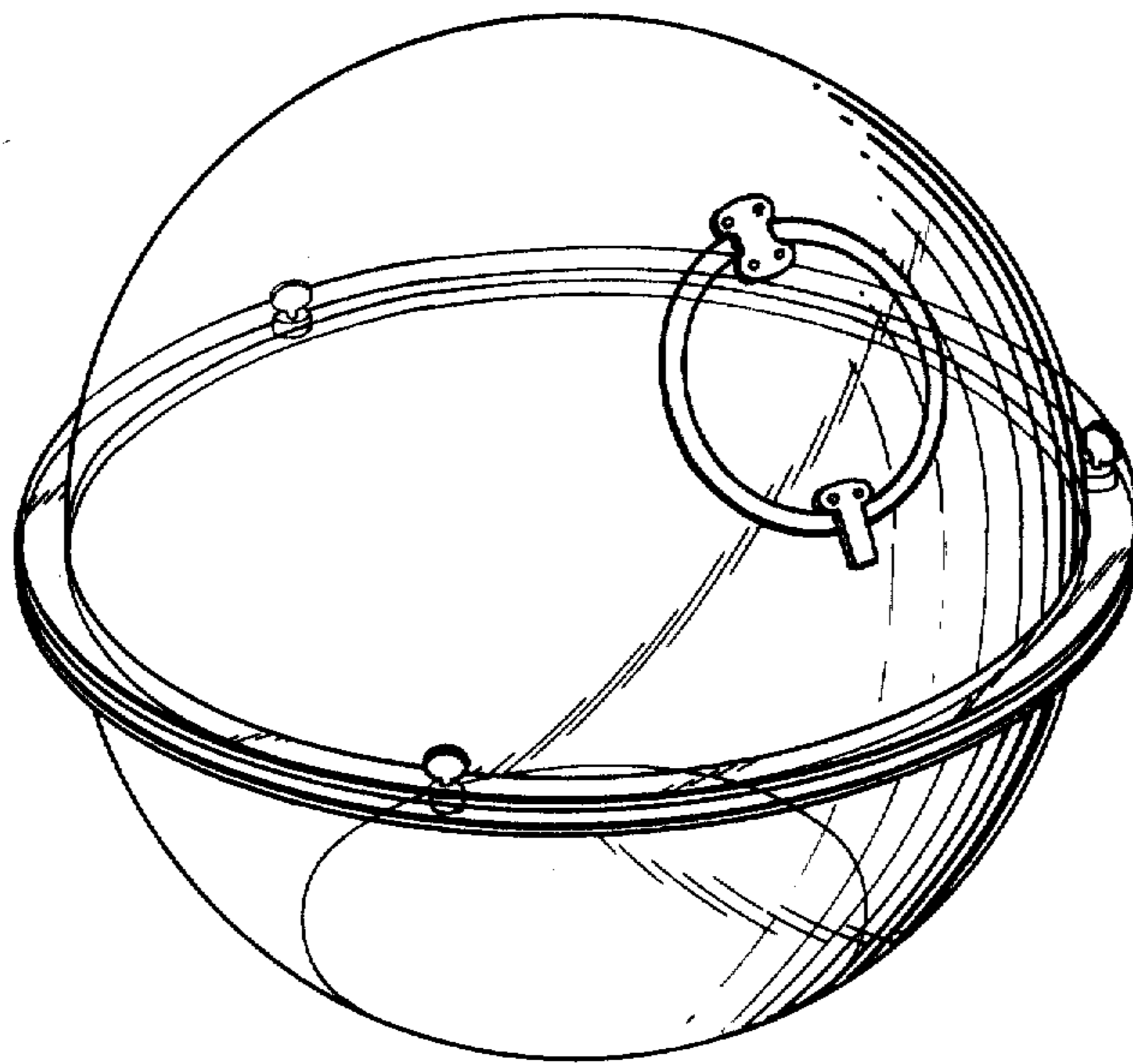


FIG. 2.

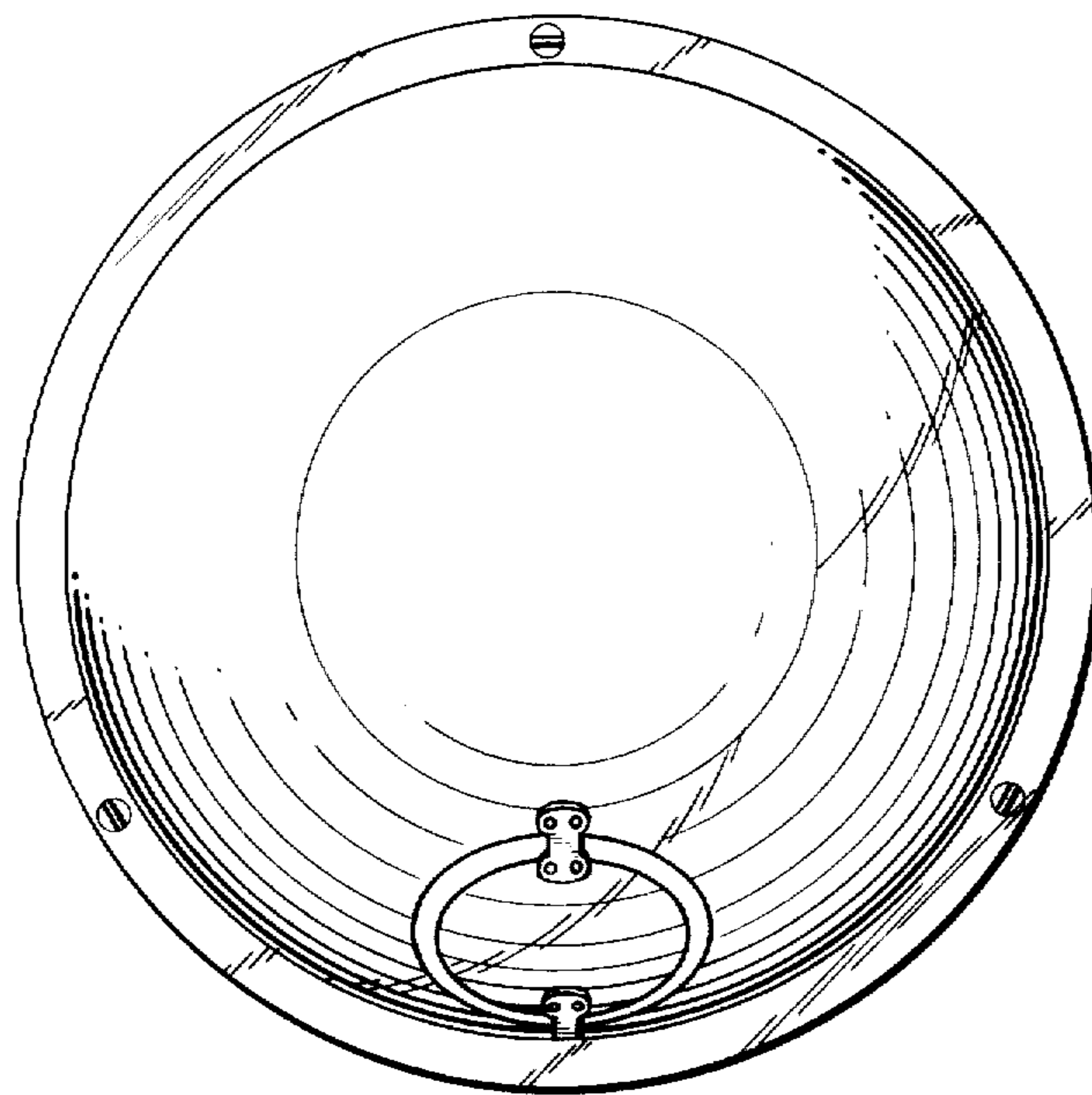


FIG. 3.

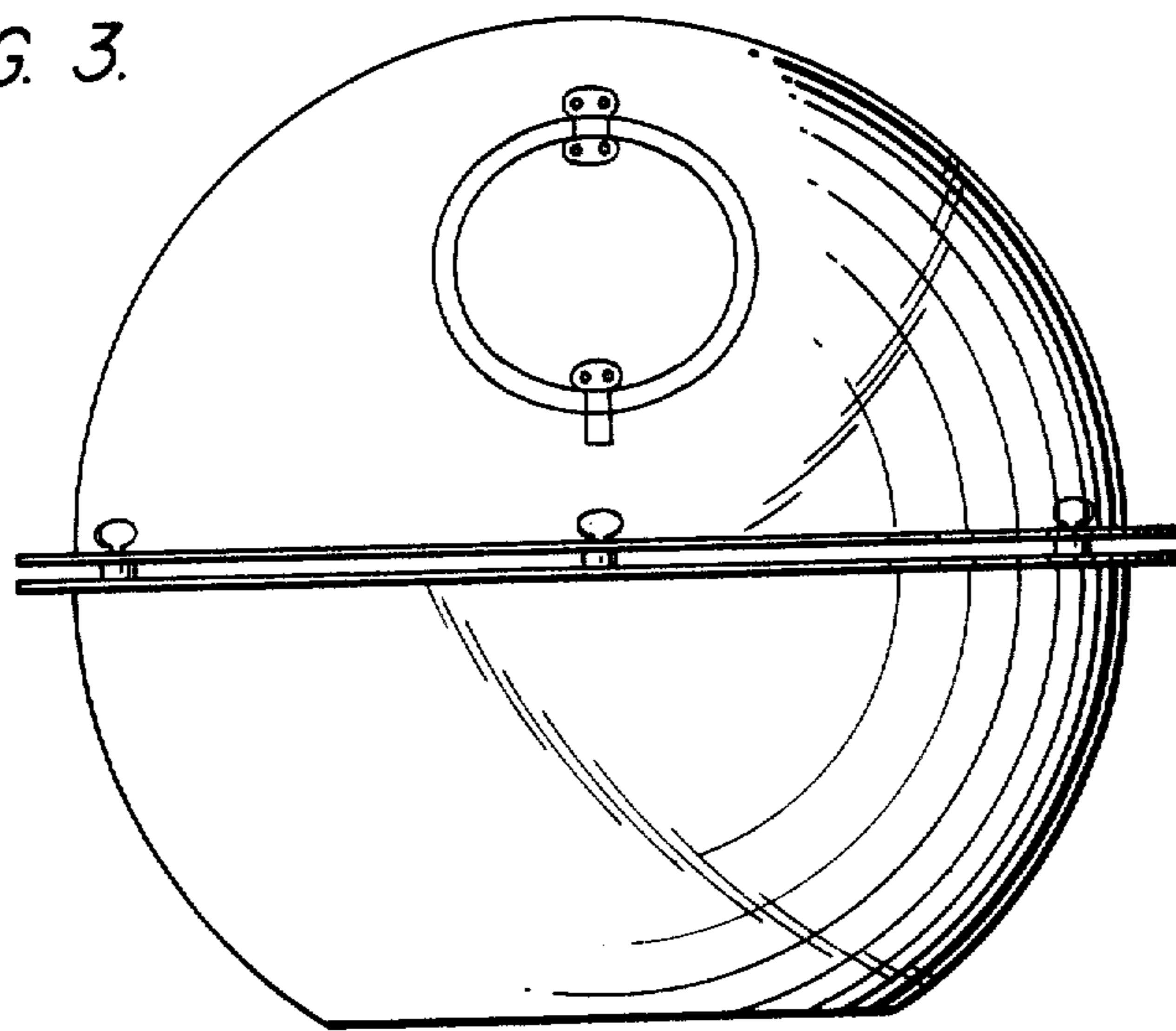


FIG. 4.

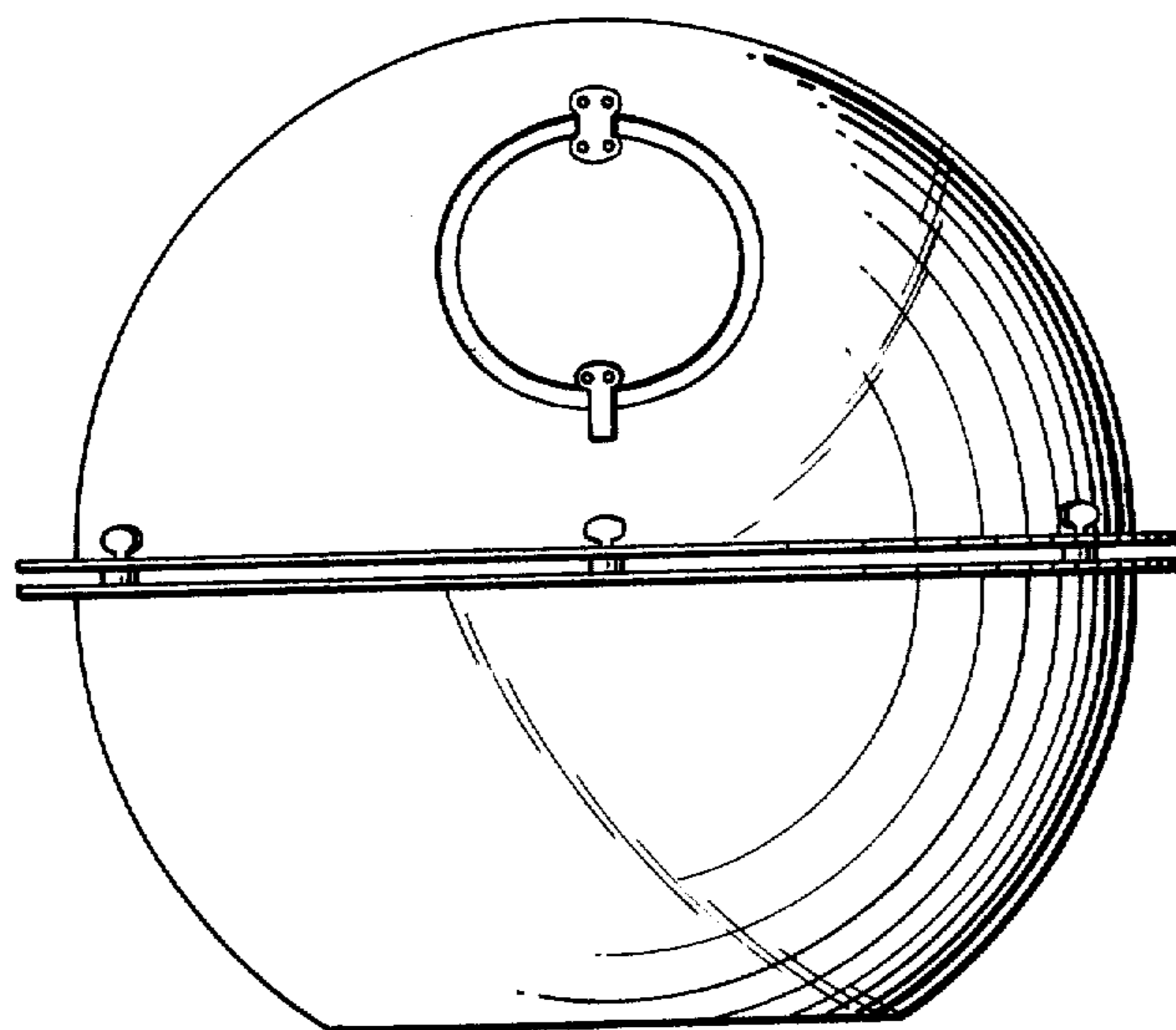


FIG. 5.

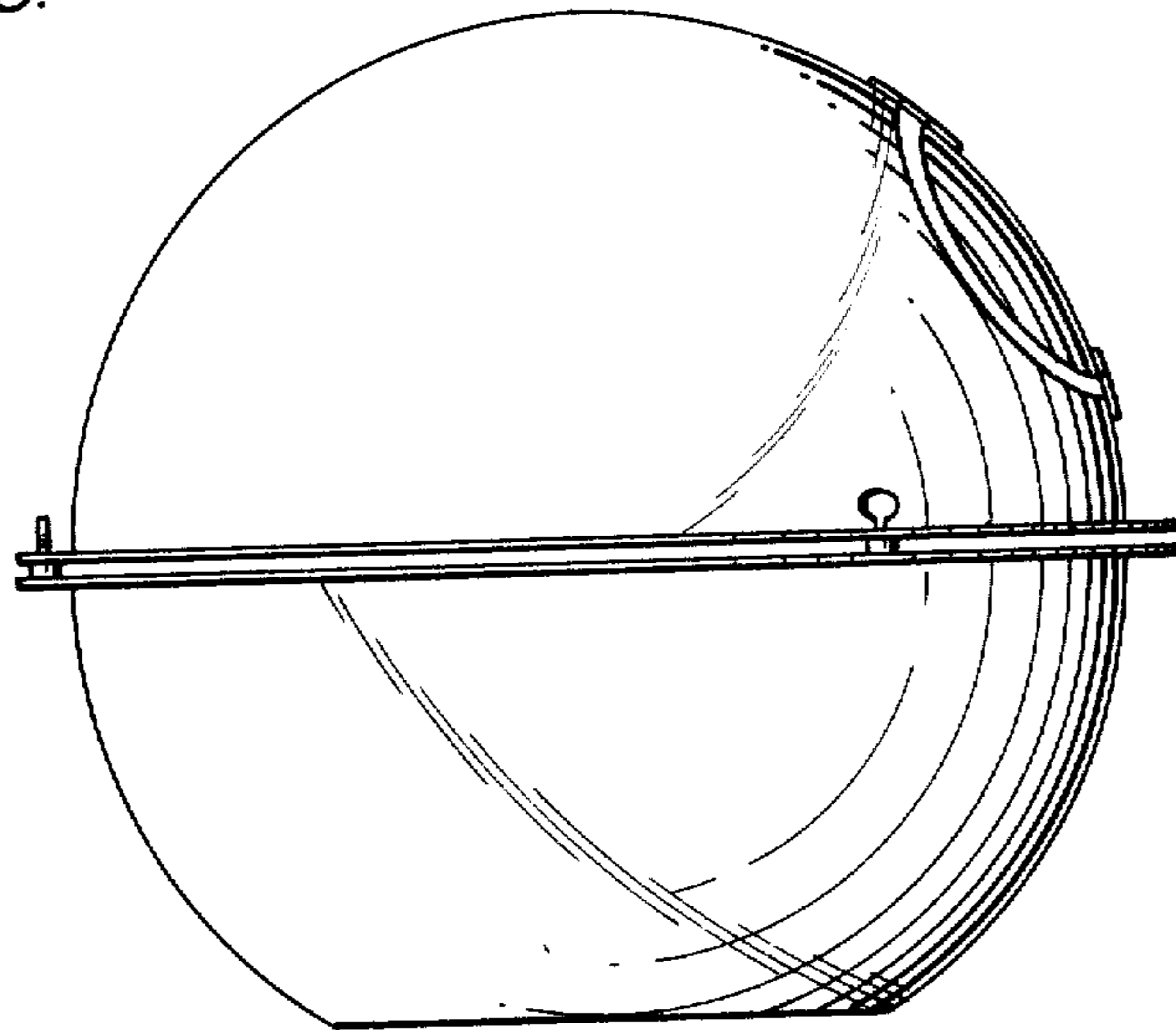


FIG. 6.

