

[54] GOLF TEE

[76] Inventor: Marvin A. Morford, 1815 Ashworth Rd., West Des Moines, Iowa 50265

[**] Term: 14 Years

[21] Appl. No.: 216,506

[22] Filed: Dec. 15, 1980

[51] Int. Cl. D21-02

[52] U.S. Cl. D21/208

[58] Field of Search D21/208; 273/33, 204, 273/205, 209

[56] References Cited

U.S. PATENT DOCUMENTS

1,510,302	9/1924	Budrow	273/33
1,595,130	8/1926	Wilcox	273/204
2,155,803	4/1939	Rider	273/204

3,424,457 1/1969 Robertson 273/33

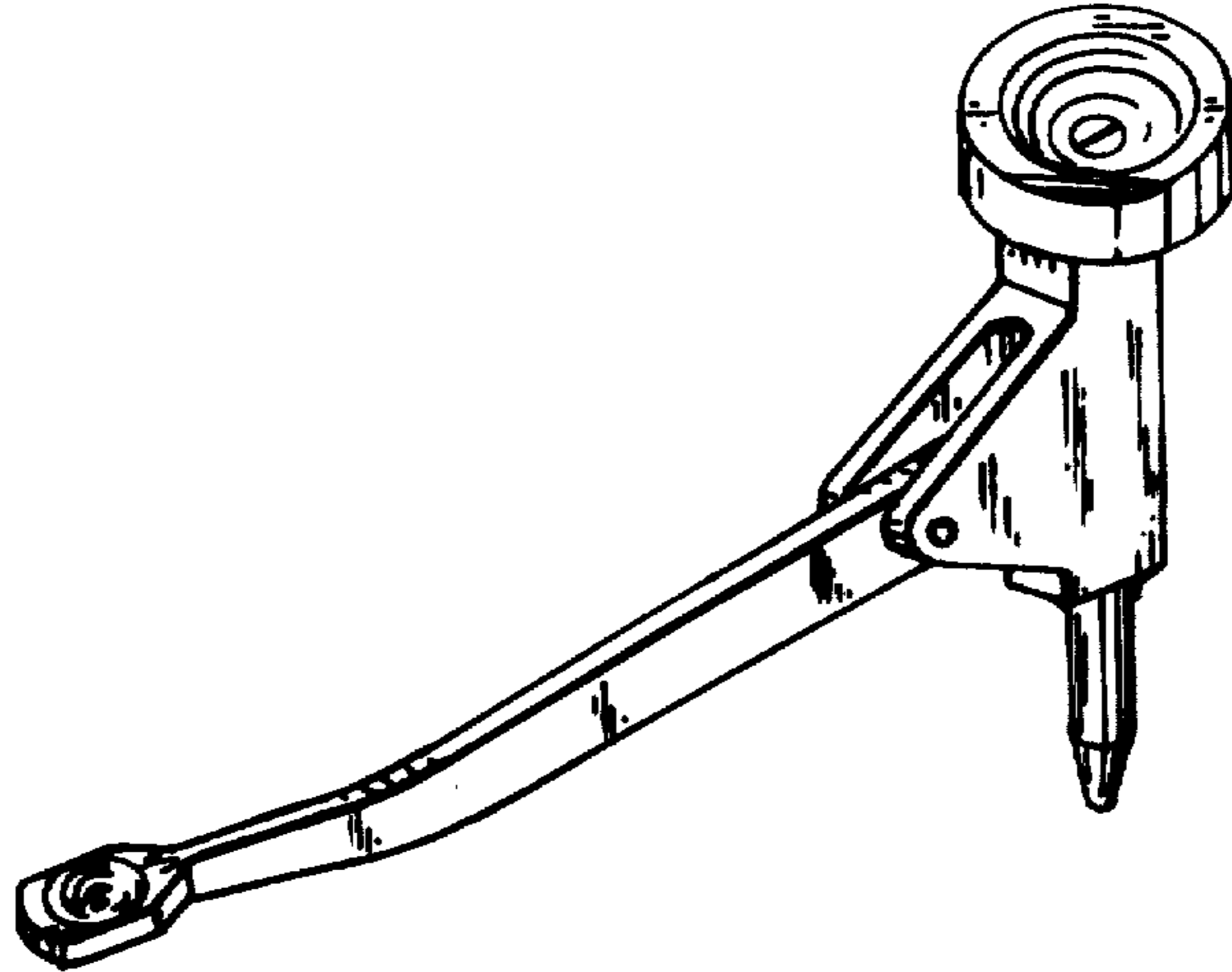
Primary Examiner—Melvin B. Feifer
Attorney, Agent, or Firm—Zarley, McKee, Thomte, Voorhees & Sease

[57] CLAIM

The ornamental design for a golf tee, substantially as shown and described.

DESCRIPTION

FIG. 1 is a perspective view of a golf tee showing my new design;
FIG. 2 is an elevational view thereof taken from the left end as seen in FIG. 1;
FIG. 3 is an elevational view thereof taken from the right end as seen in FIG. 1;
FIG. 4 is a top plan view thereof;
FIG. 5 is a side elevational view thereof; and
FIG. 6 is a bottom plan view thereof.



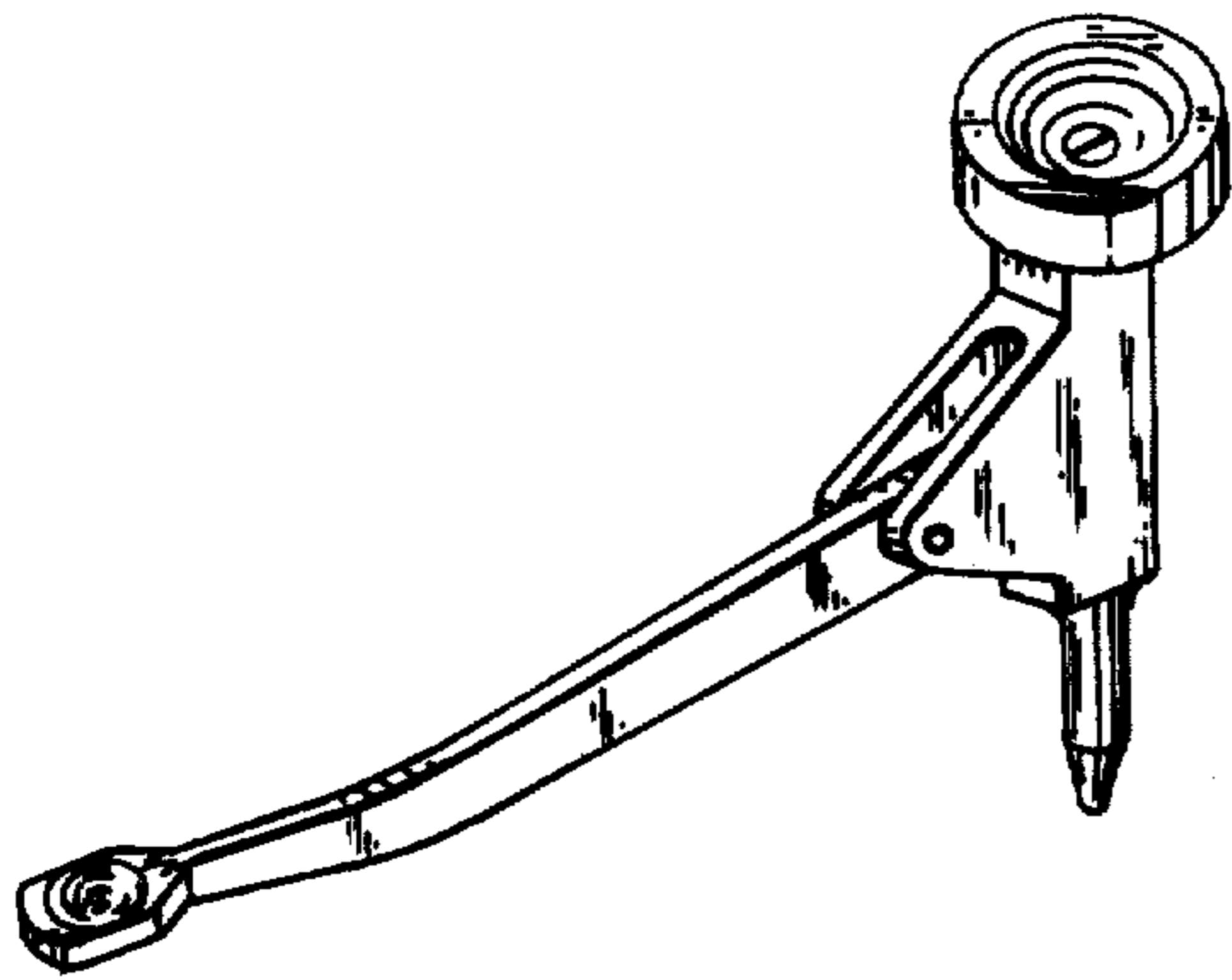


Fig. 1

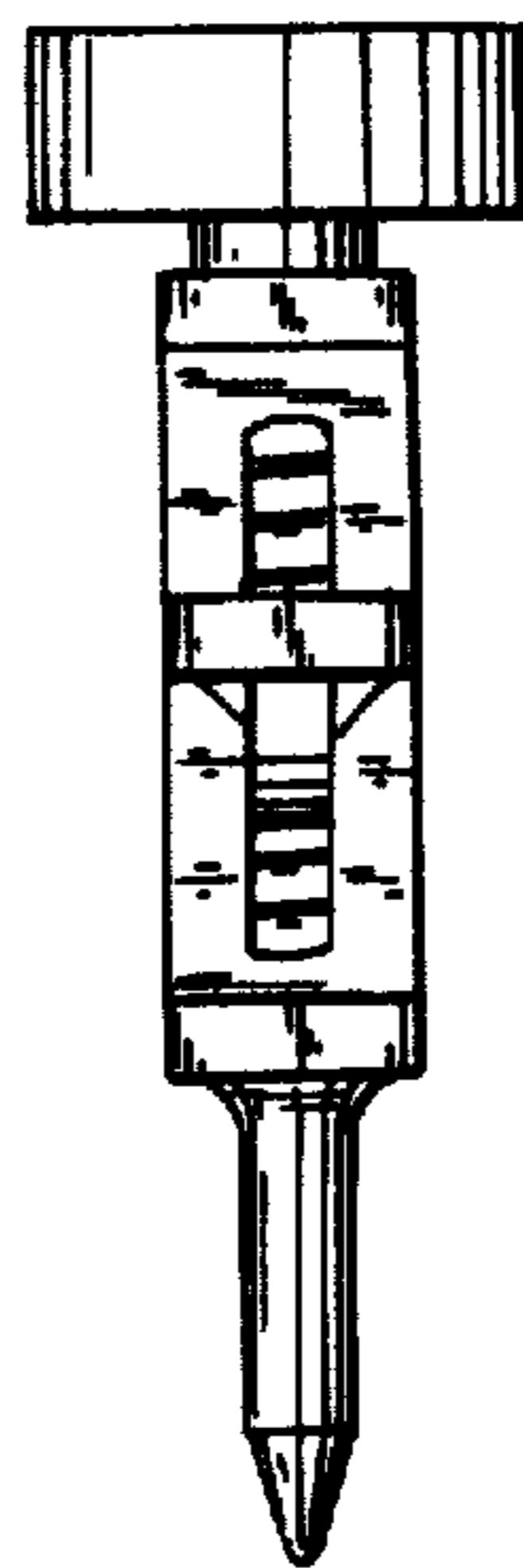


Fig. 2

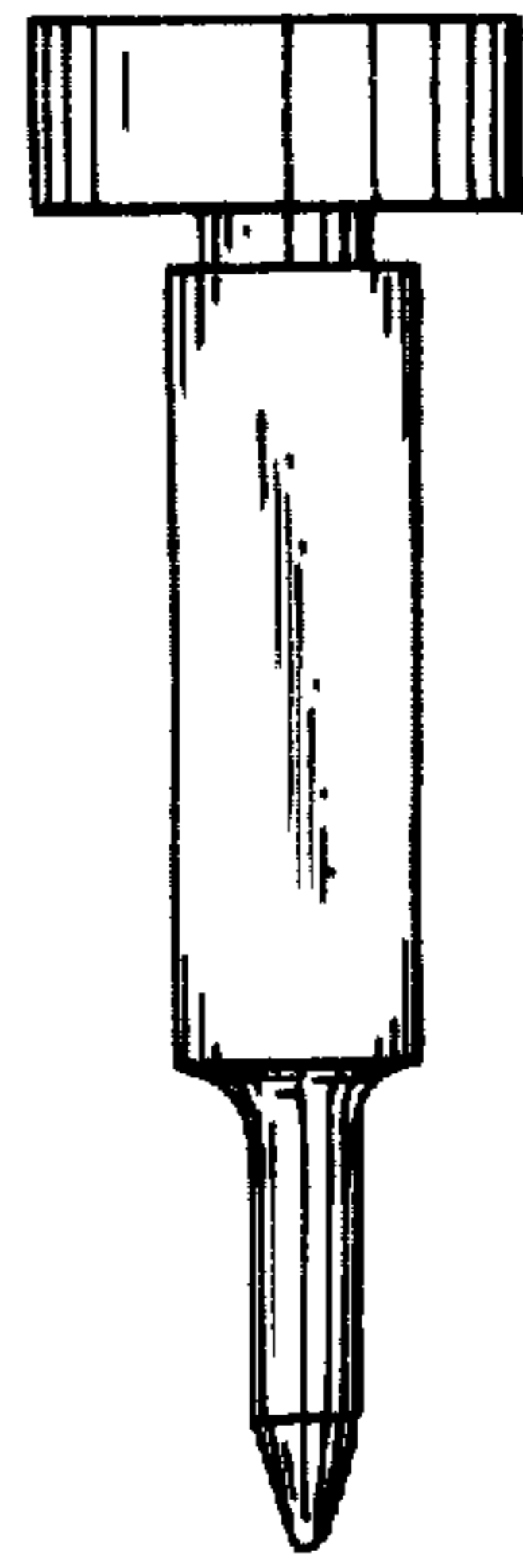


Fig. 3



Fig. 4

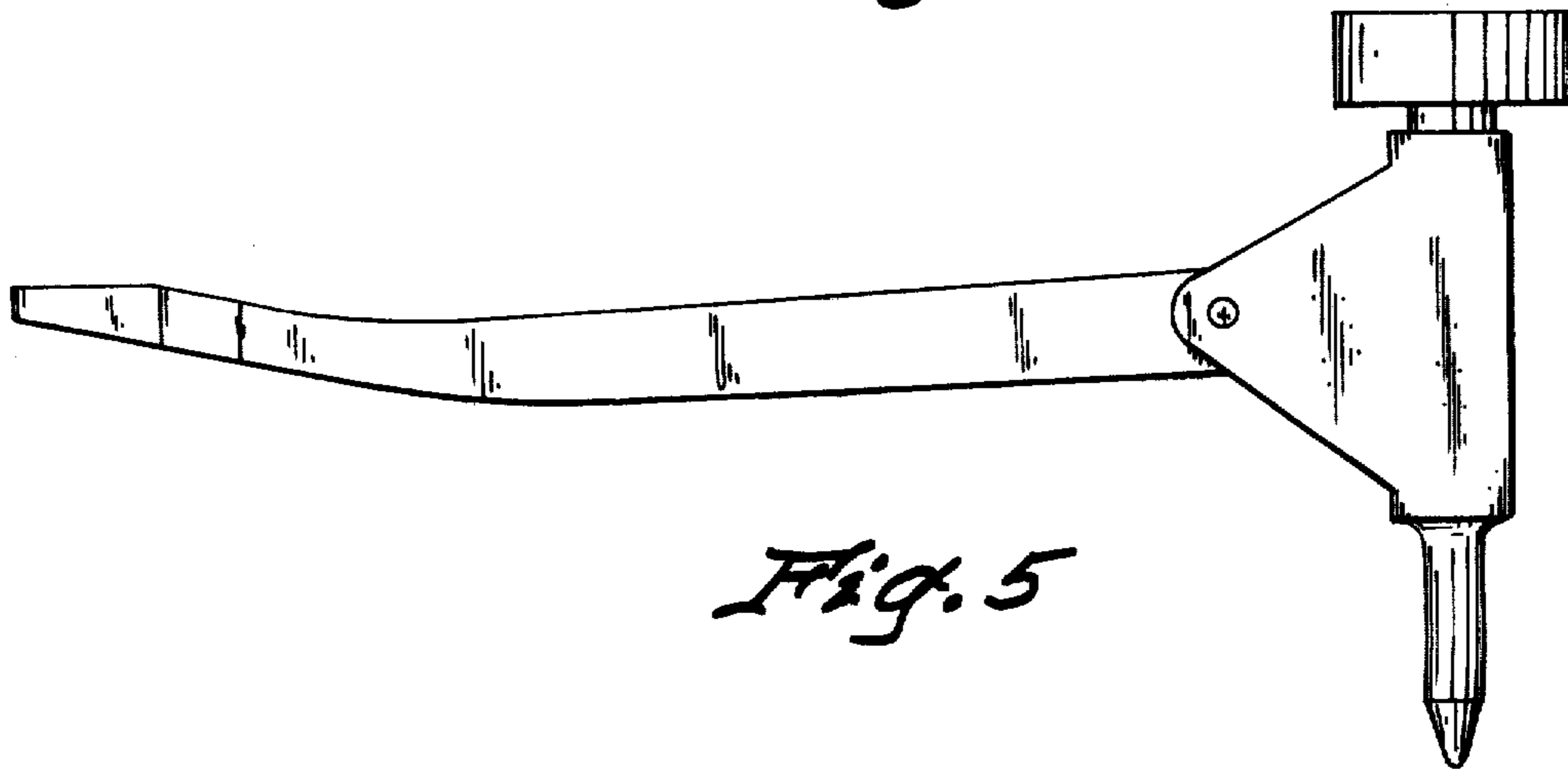


Fig. 5

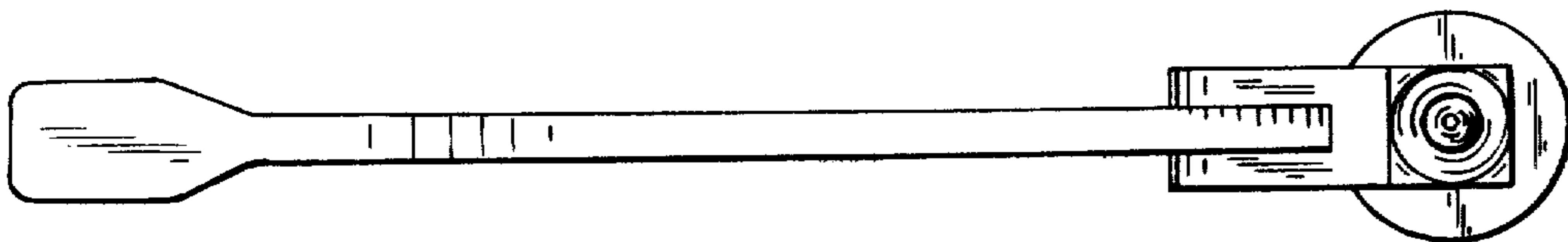


Fig. 6