

[54] PHYSICAL EXERCISER

[76] Inventor: Ferenc I. Agyagos, 3-21-5, Akasaka, Minato-ku, Tokyo, Japan

[**] Term: 14 Years

[21] Appl. No.: 189,698

[22] Filed: Sep. 22, 1980

[30] Foreign Application Priority Data

Sep. 25, 1979 [JP] Japan 54-40311

[51] Int. Cl. D21-01

[52] U.S. Cl. D21/191

[58] Field of Search D21/191, 192, 193, 194, D21/196, 198, 199; 273/93, 109, 112, 120, 125, 132, 140, 144

[56]

References Cited

U.S. PATENT DOCUMENTS

| | | | |
|------------|---------|------------------|---------|
| D. 213,889 | 4/1969 | Lyon | D21/191 |
| D. 216,721 | 3/1970 | Sassenberg | D21/191 |
| 3,006,643 | 10/1961 | Ryan | D21/197 |
| 3,596,906 | 8/1971 | Parmer | D21/191 |
| 3,716,230 | 2/1973 | Mark | 272/144 |

Primary Examiner—Charles A. Rademaker
Attorney, Agent, or Firm—Stevens, Davis, Miller & Mosher

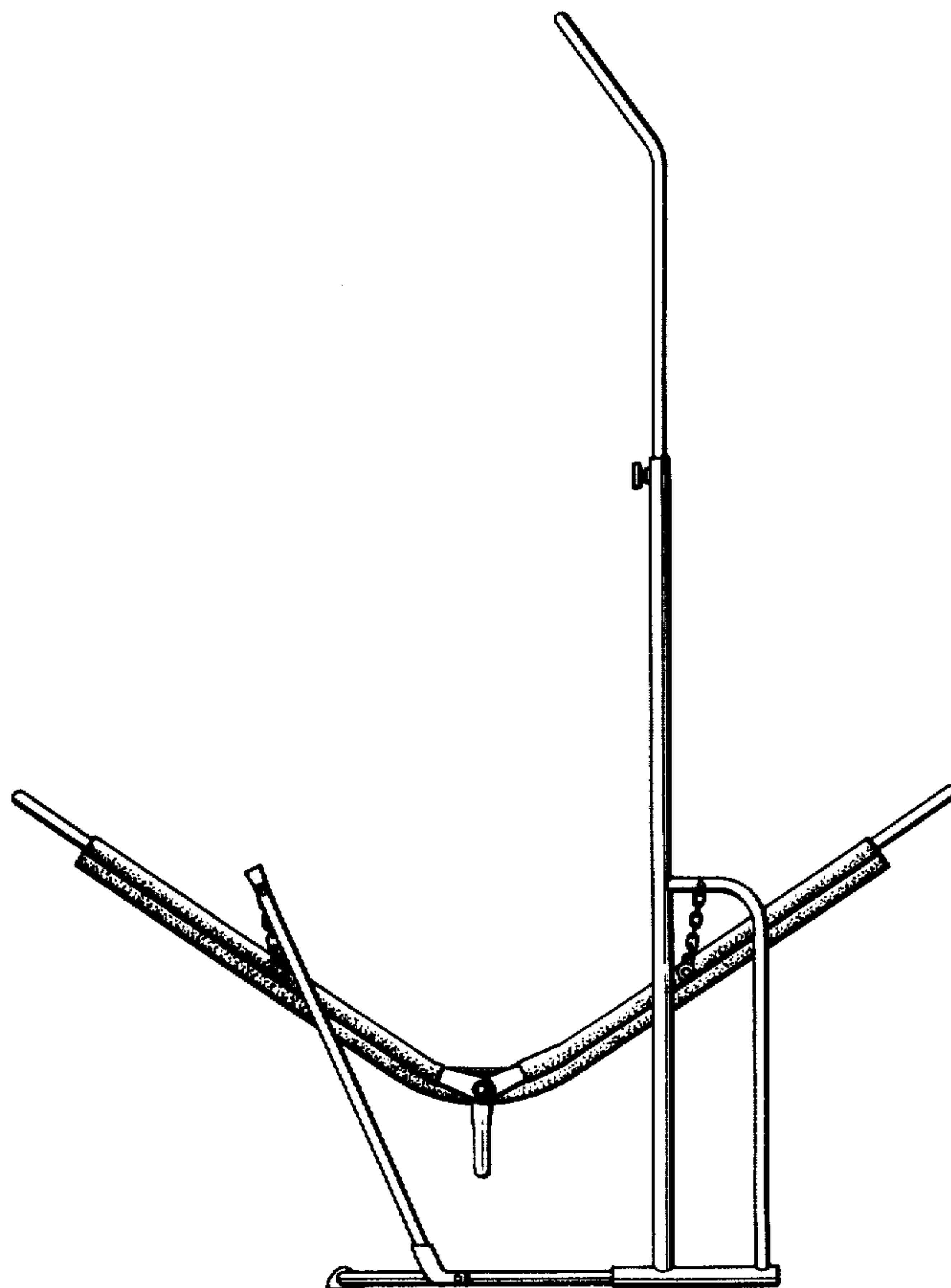
[57]

CLAIM

The ornamental design for a physical exerciser, as shown and described.

DESCRIPTION

FIG. 1 is a front elevational view of a physical exerciser showing my new design;
FIG. 2 is a rear elevational view thereof;
FIG. 3 is a top plan view thereof;
FIG. 4 is a bottom plan view thereof; and,
FIG. 5 is a side elevational view thereof.



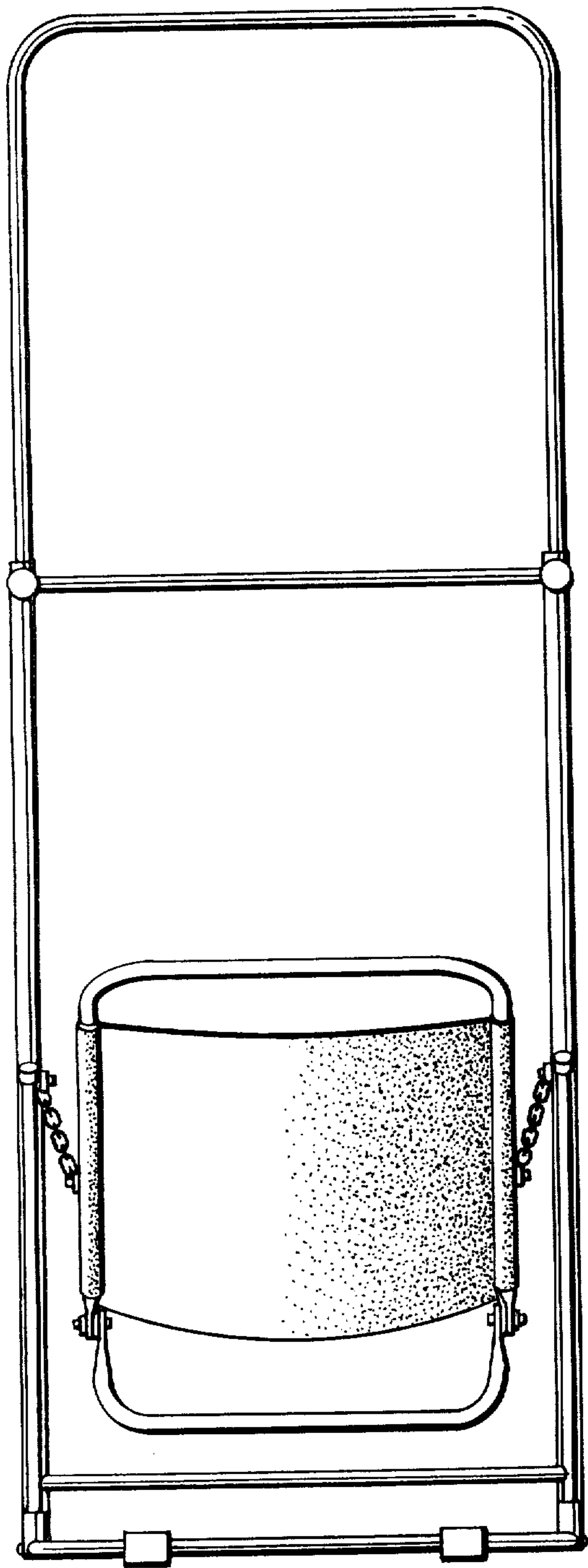


FIG. 1

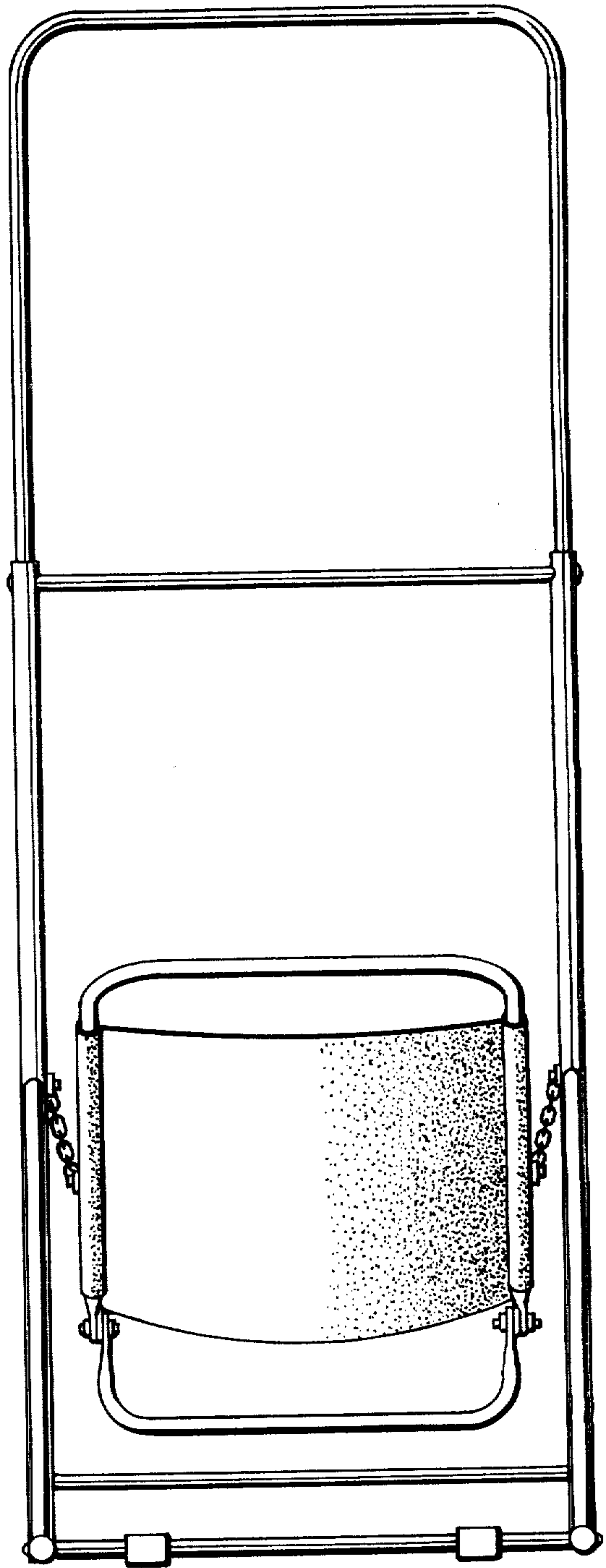


FIG. 2

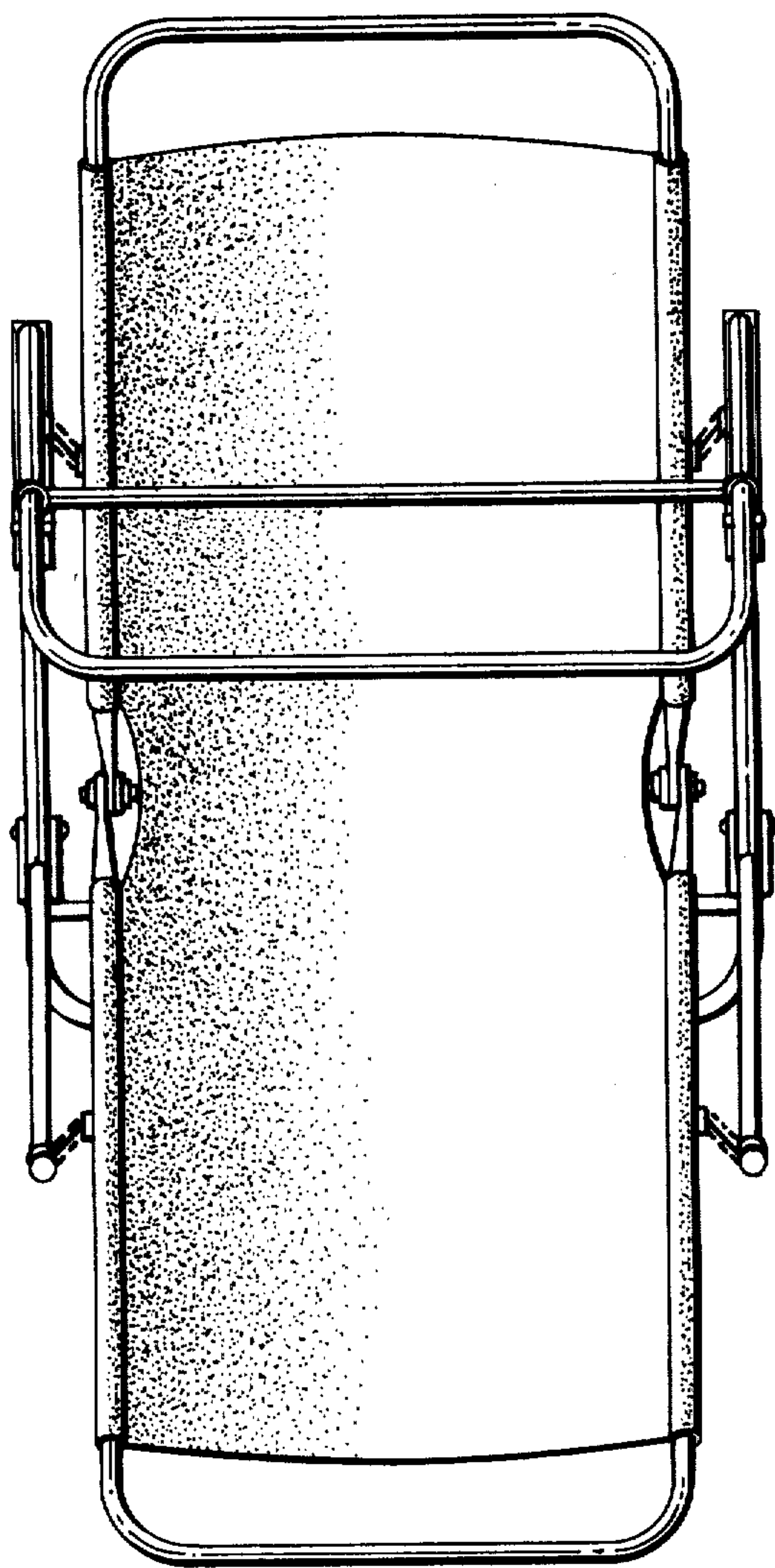


FIG. 3

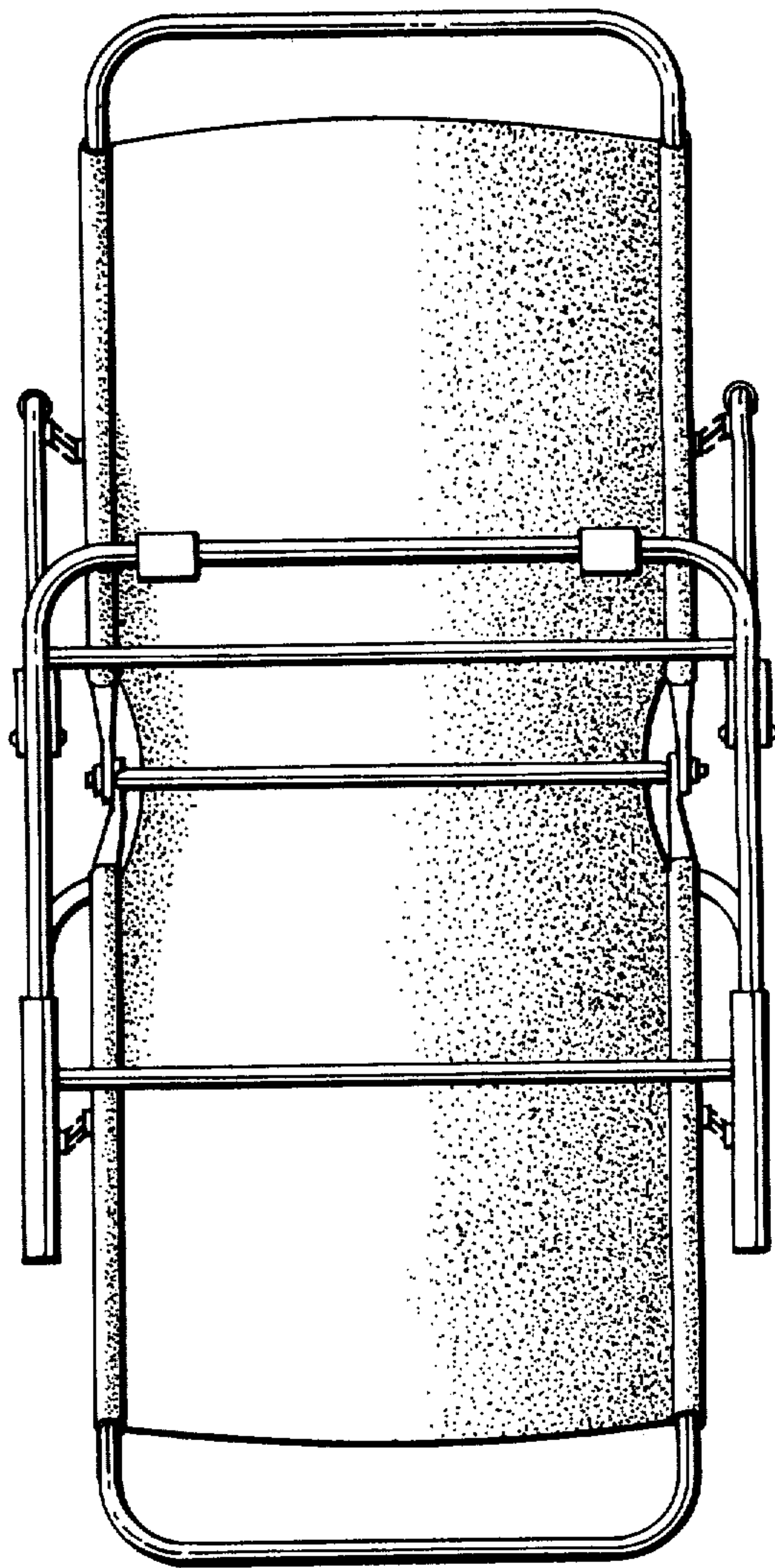


FIG. 4

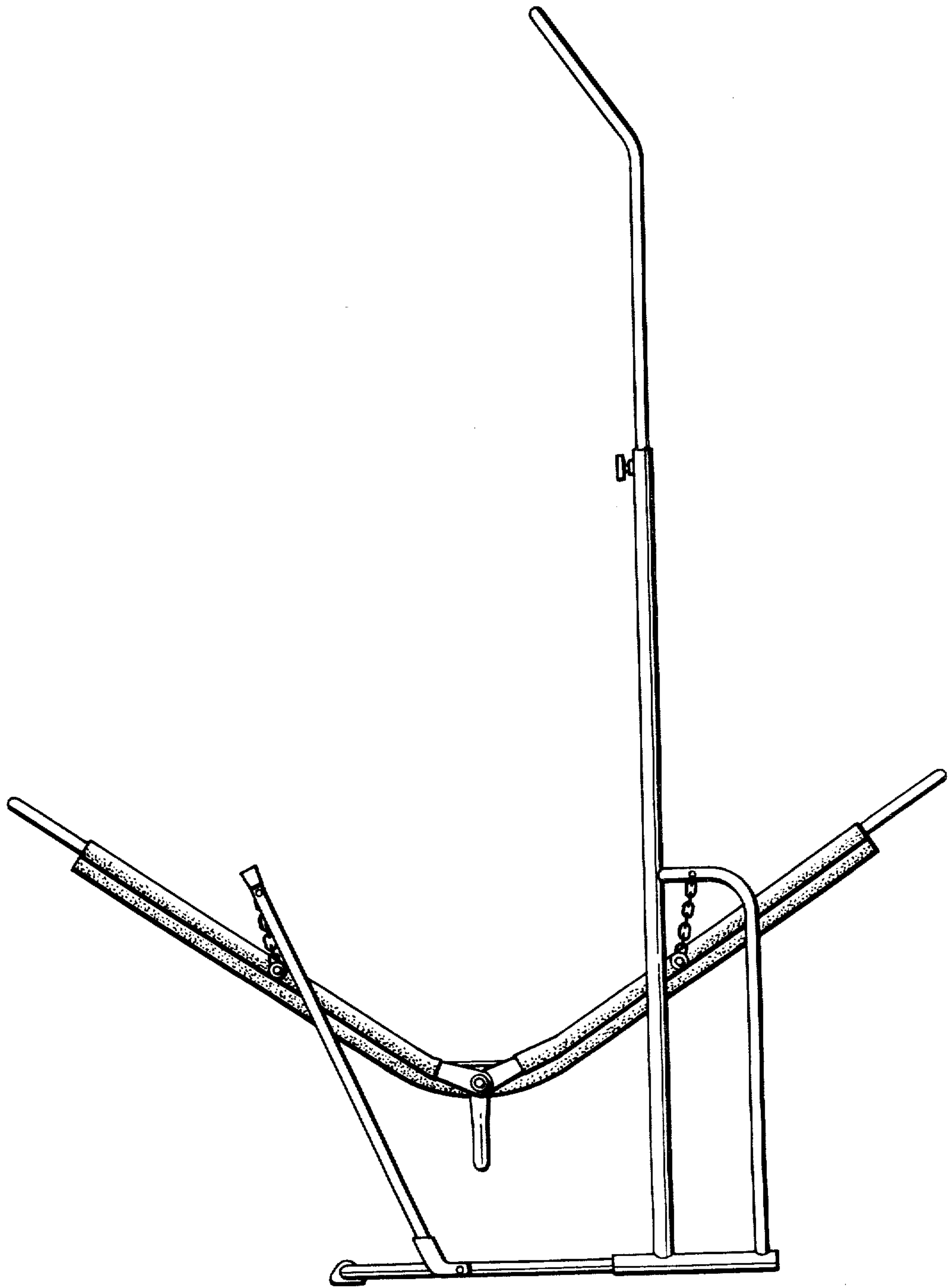


FIG. 5