

[54] PUZZLE ASSEMBLY

4,180,268 12/1979 Brooks 273/153 R

[76] Inventor: Joel E. Grushkin, 25 Atlantic Ave.,
Nanuet, N.Y. 10954

OTHER PUBLICATIONS

Hecht Co., 1973 Xmas. Cat., 11-1972, p. 1, "Running
Wild", #303.

[**] Term: 14 Years

Hecht Co., 1973 Xmas. Cat., 11-1972, p. 4, "Happy
Cubes", #229.

[21] Appl. No.: 289,239

Primary Examiner—Charles A. Rademaker

[22] Filed: Aug. 3, 1981

[51] Int. Cl. D21-01

[57] CLAIM

[52] U.S. Cl. D21/107

The ornamental design for a puzzle assembly, substan-
tially as shown and described.

[58] Field of Search D21/104, 105, 106, 107,
D21/108; 273/153 R, 153 P, 153 S, 153 J, 156,
160

DESCRIPTION

[56] References Cited

U.S. PATENT DOCUMENTS

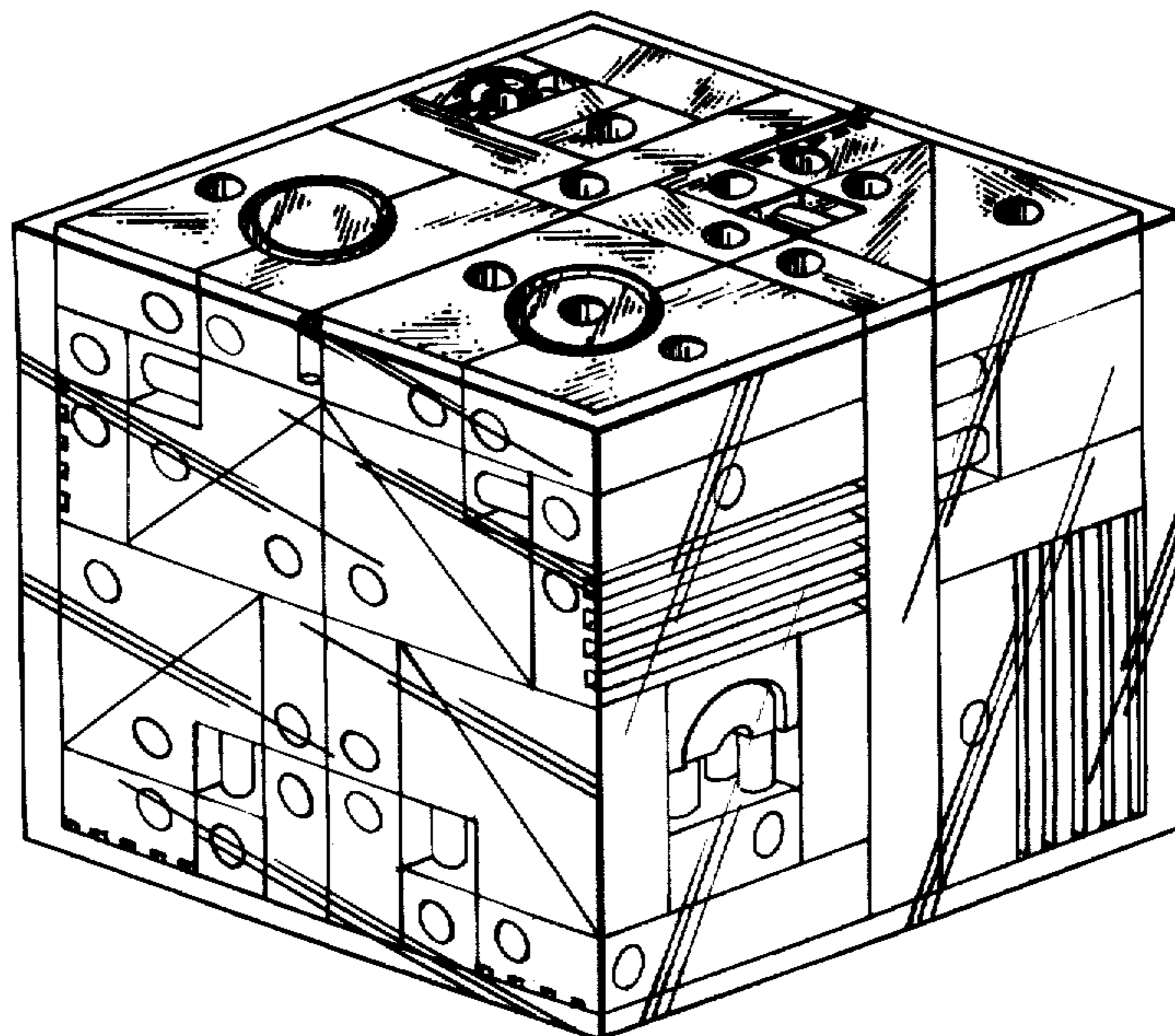
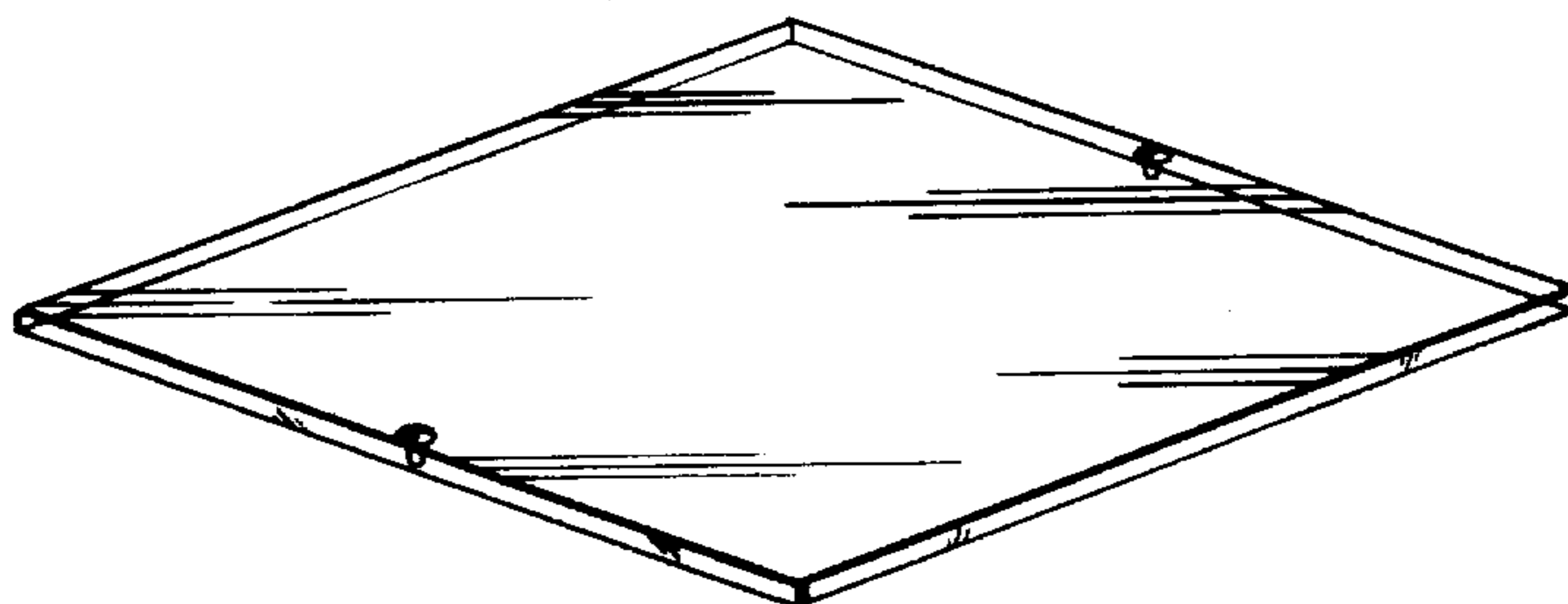
- D. 4,793 4/1871 Loyd D21/107
- D. 235,075 5/1975 Baynes D21/107
- 2,788,975 4/1957 Lichtenberger 273/153 S

FIG. 1 is a front perspective view of a puzzle assembly
showing my new design, the cover member shown in a
removed condition;

FIG. 2 is a right side elevational view thereof;

FIG. 3 is a left side elevational view thereof; and,

FIG. 4 is a bottom plan view thereof.



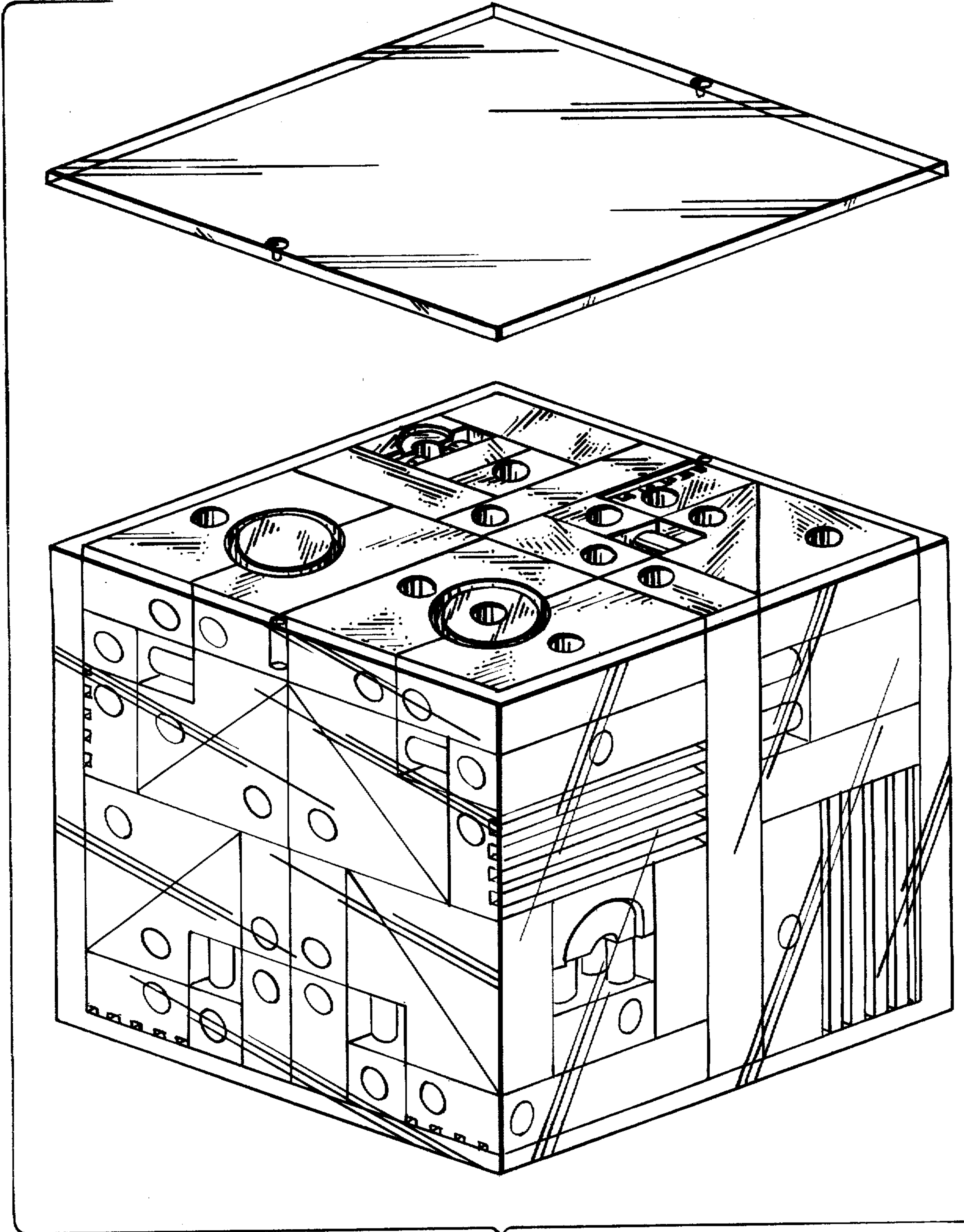


FIG. 1

FIG. 2

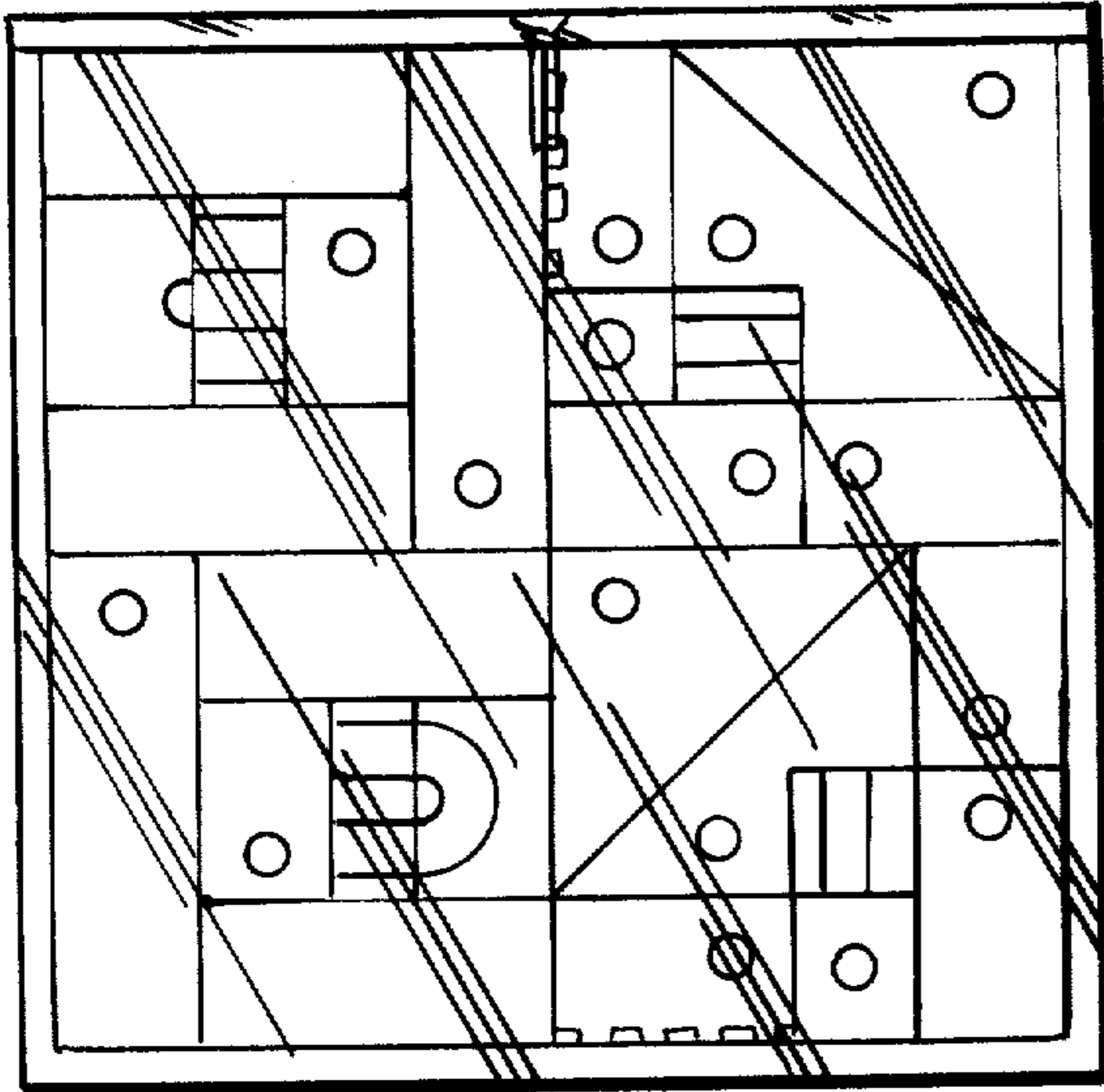


FIG. 3

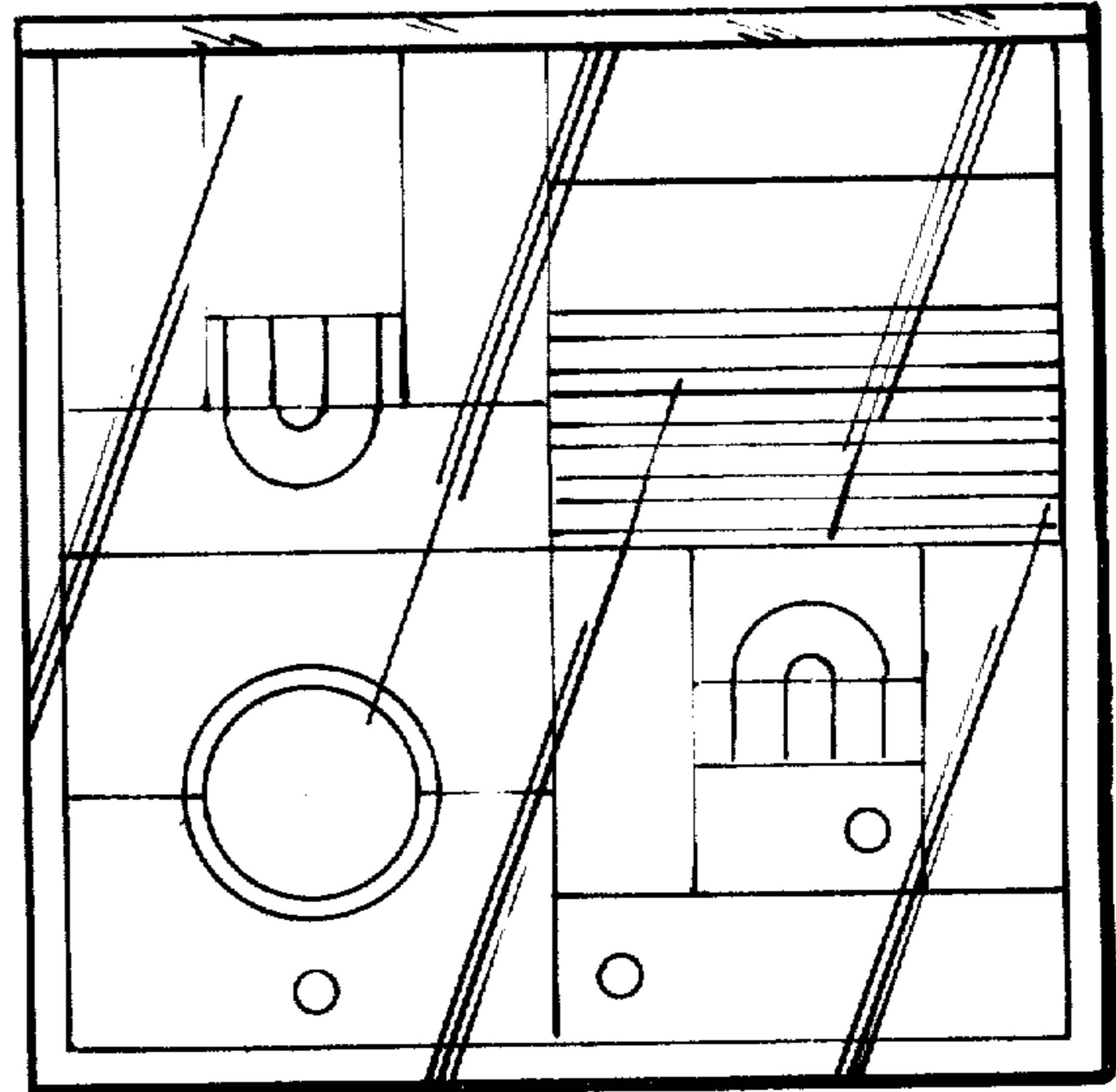


FIG. 4

