

[54] SUBMERSIBLE PUMP

[75] Inventors: Lee W. Davis; Bobby G. Graham; John M. Walker, all of Oklahoma City, Okla.

[73] Assignee: Little Giant Pump Company, Oklahoma City, Okla.

[**] Term: 14 Years

[21] Appl. No.: 153,872

[22] Filed: May 28, 1980

[51] Int. Cl. D15-02

[52] U.S. Cl. D15/7

[58] Field of Search D15/7, 8, 9; 417/38, 417/40, 234, 424

[56] References Cited

U.S. PATENT DOCUMENTS

- D. 227,934 7/1973 Campbell et al. D15/7
- D. 237,011 9/1975 Stroberg et al. D15/7

- D. 242,651 12/1976 Arakawa D15/7
- 3,199,745 8/1965 Hollis et al. 417/424 X
- 3,685,926 8/1972 Blum 417/424
- 3,748,066 7/1973 Sully et al. 417/424

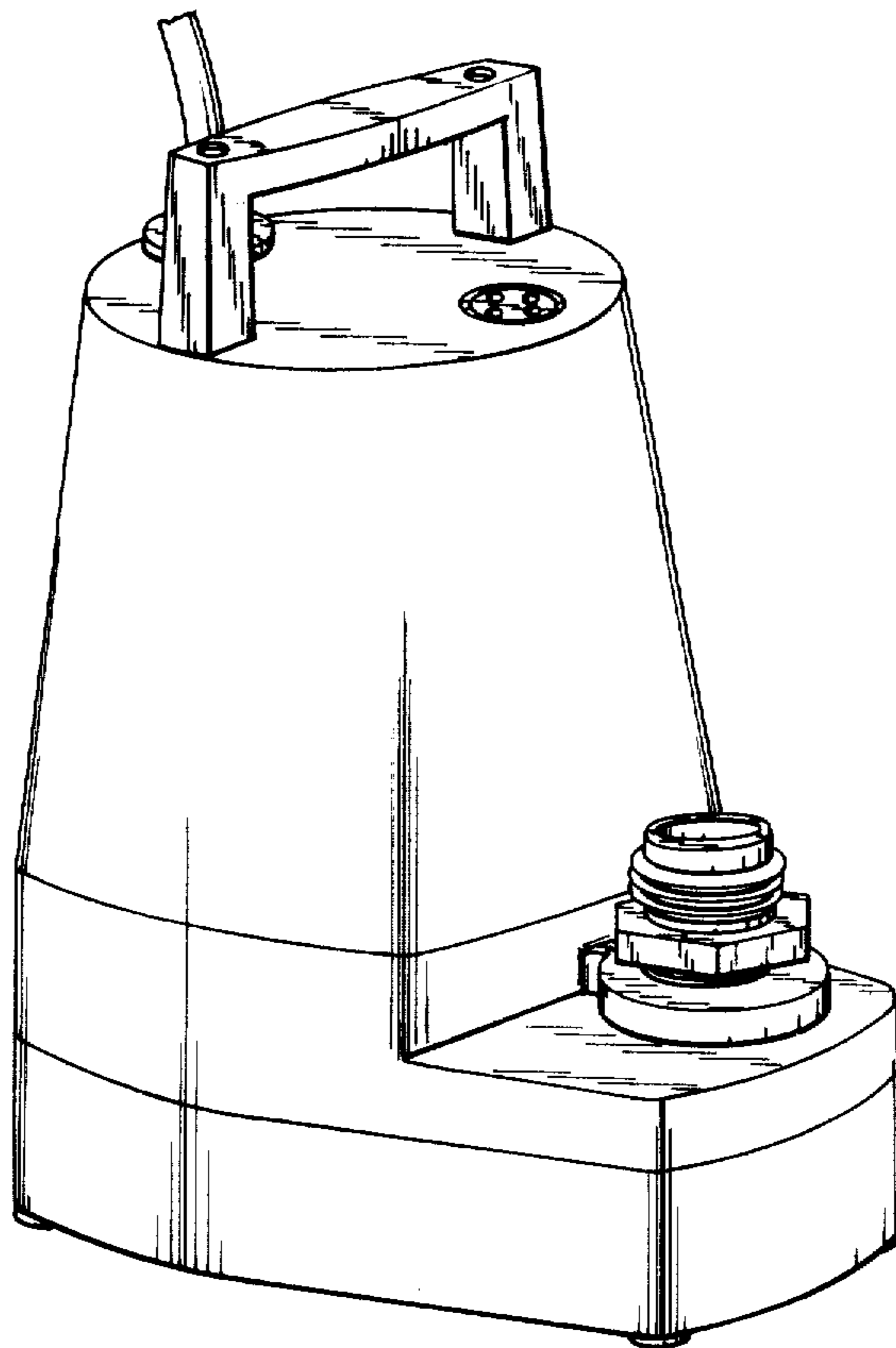
Primary Examiner—Susan J. Lucas
Attorney, Agent, or Firm—Bill D. McCarthy

[57] CLAIM

The ornamental design for a submersible pump, as shown.

DESCRIPTION

FIG. 1 is a top plan view of a submersible pump showing my new design;
 FIG. 2 is an end elevational view thereof;
 FIG. 3 is a side elevational view thereof;
 FIG. 4 is a bottom plan view thereof;
 FIG. 5 is an elevational view of the end opposite that is shown in FIG. 2;
 FIG. 6 is an elevational view of the side opposite that is shown in FIG. 3; and
 FIG. 7 is a perspective view thereof.



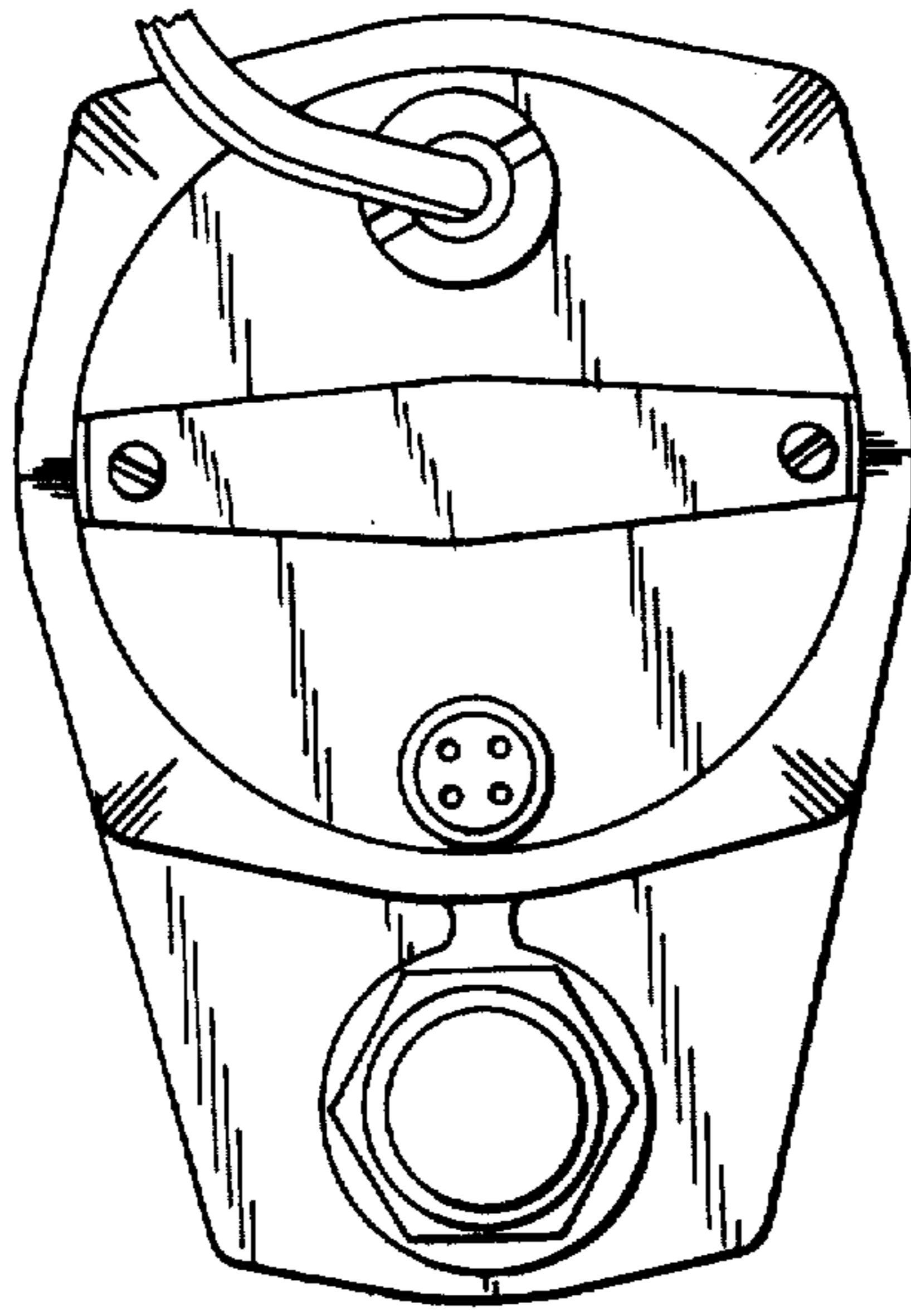


FIG. 1

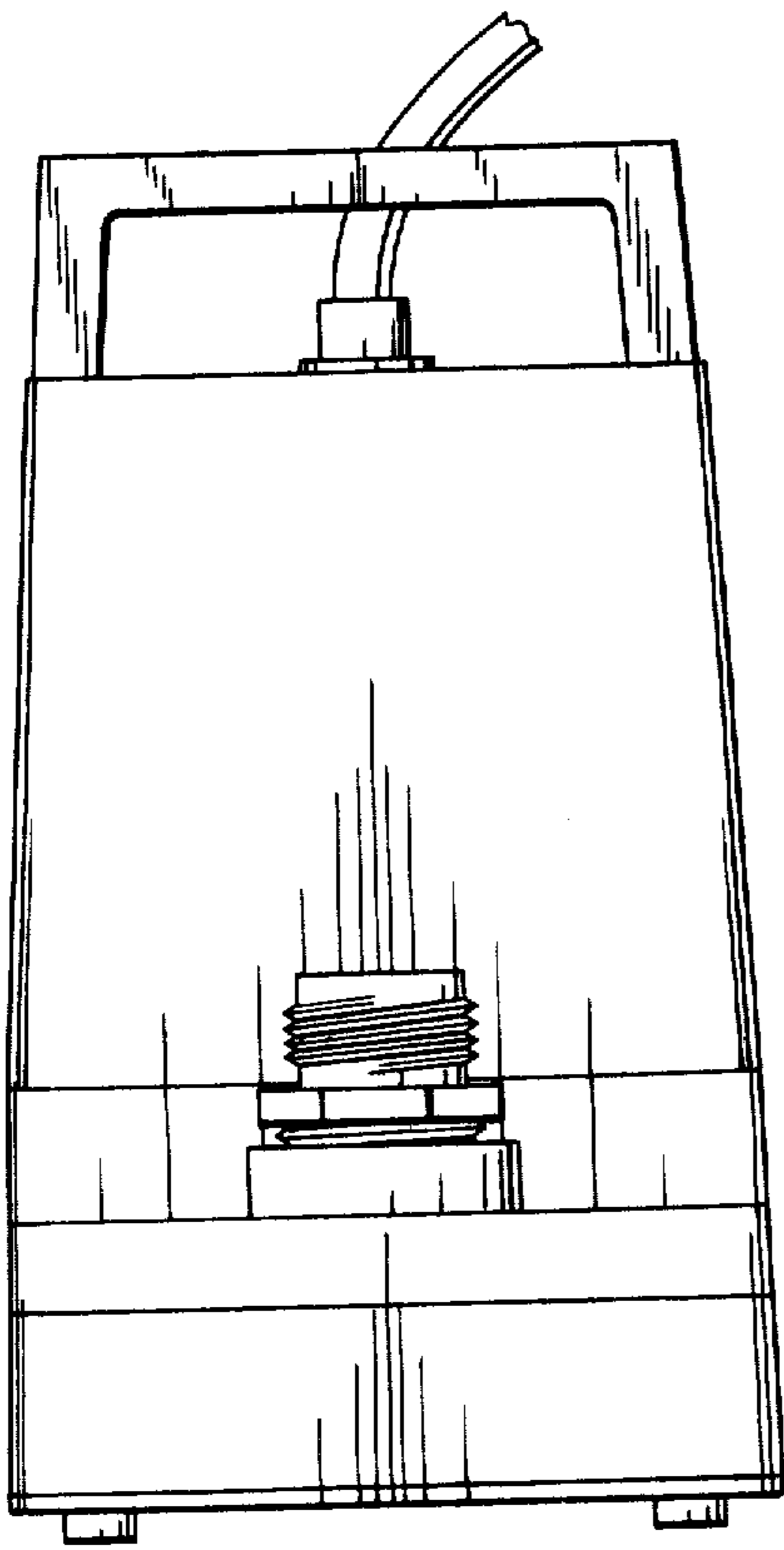


FIG. 2

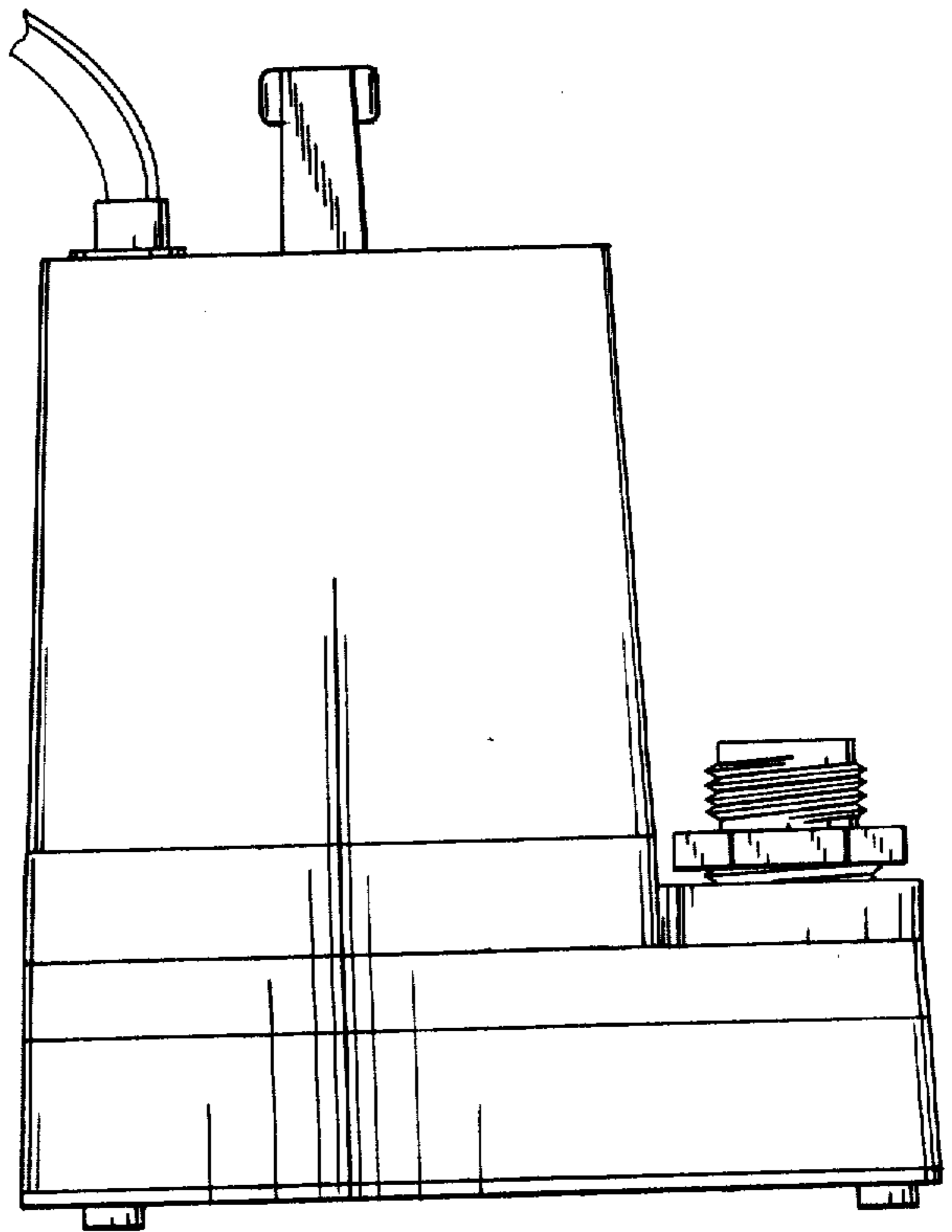


FIG. 3

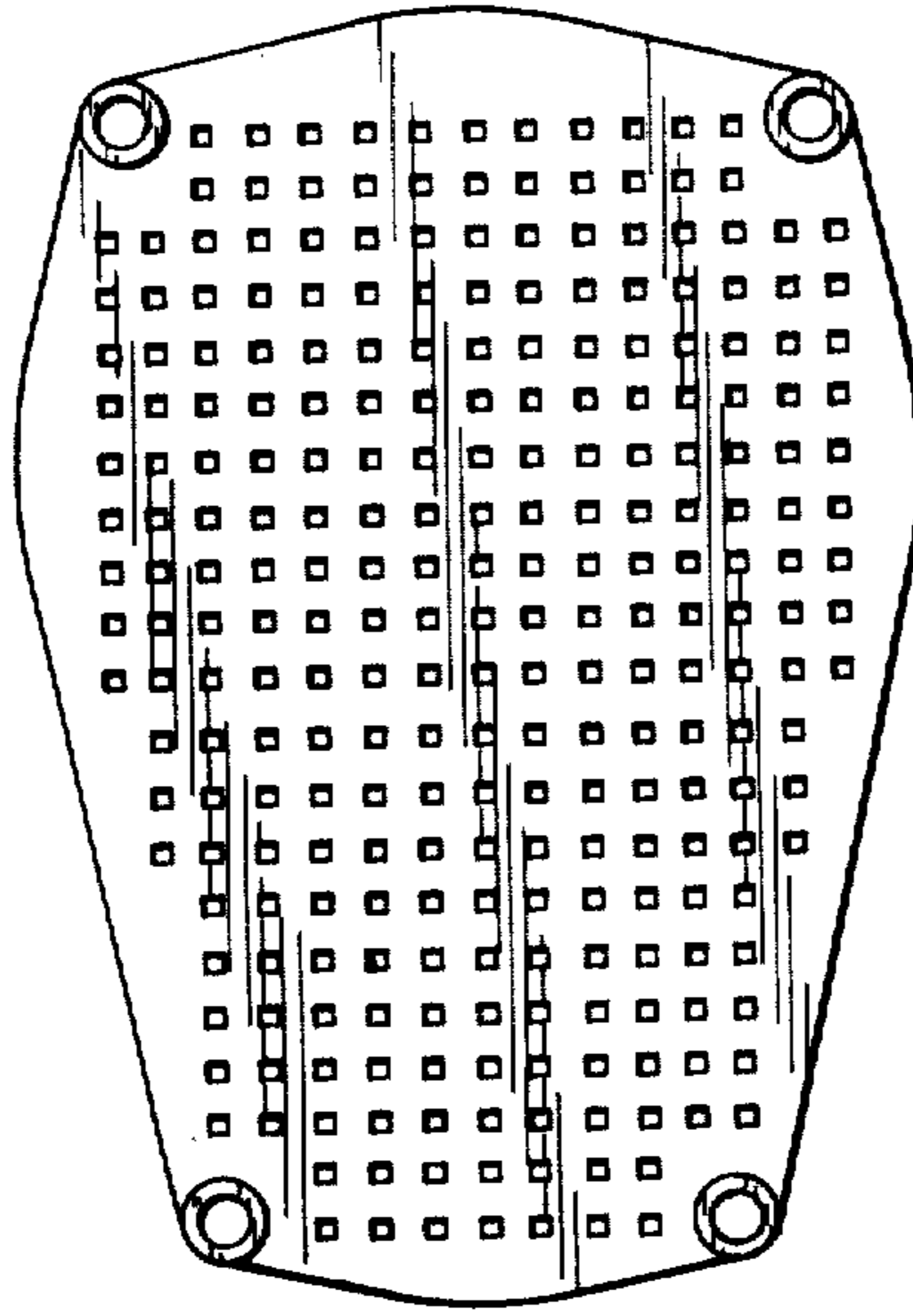


FIG. 4

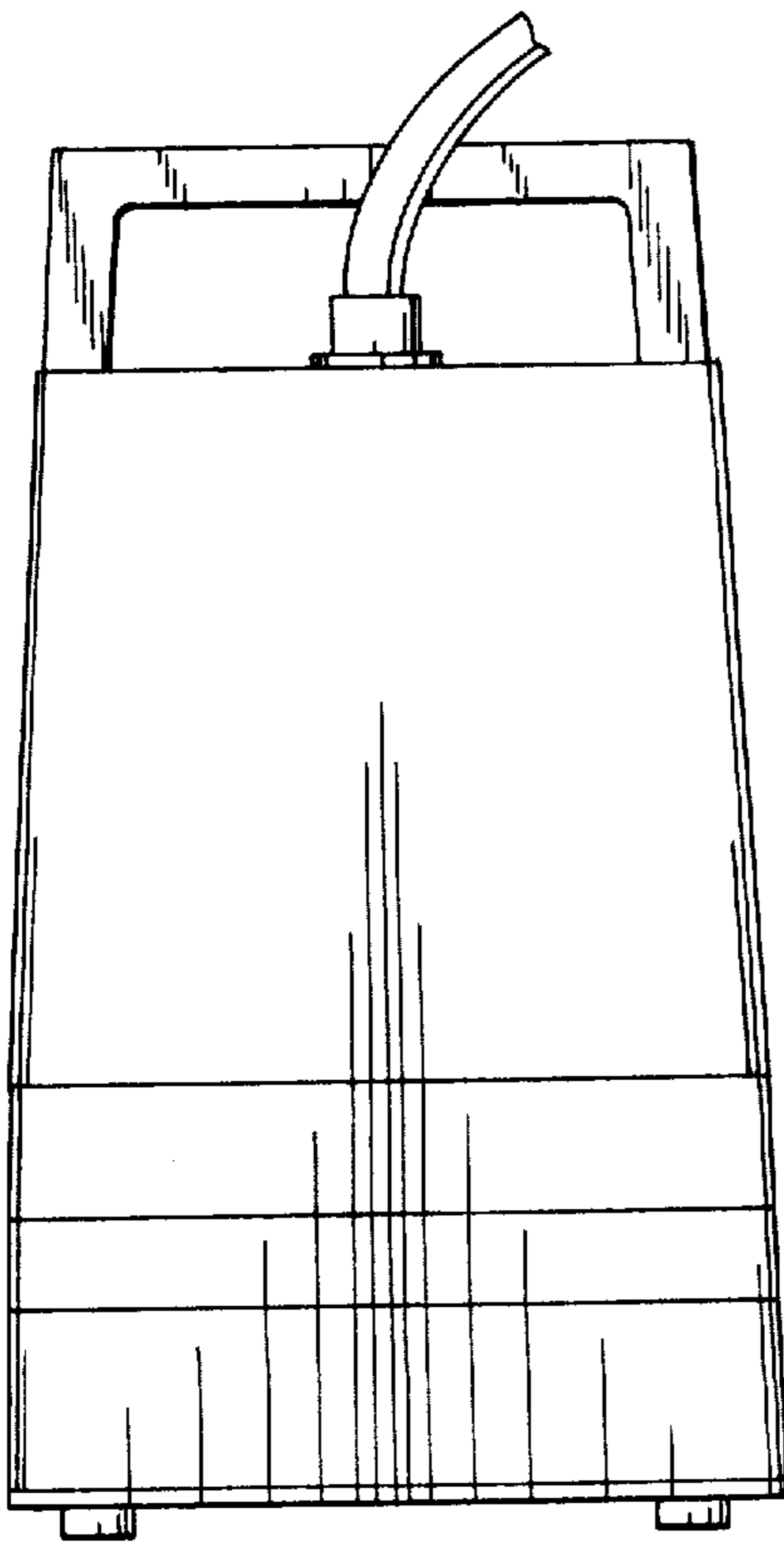


FIG. 5

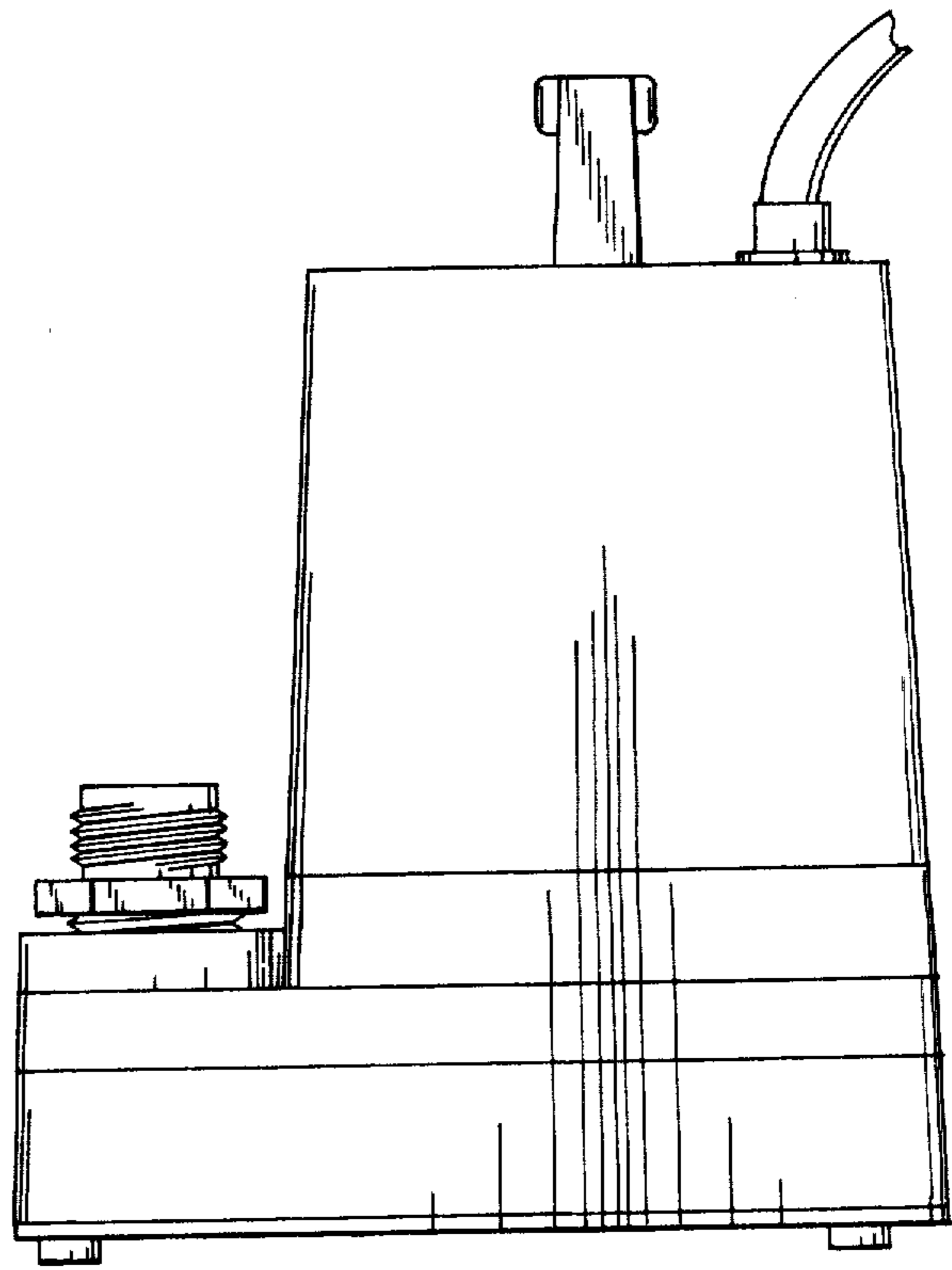


FIG. 6

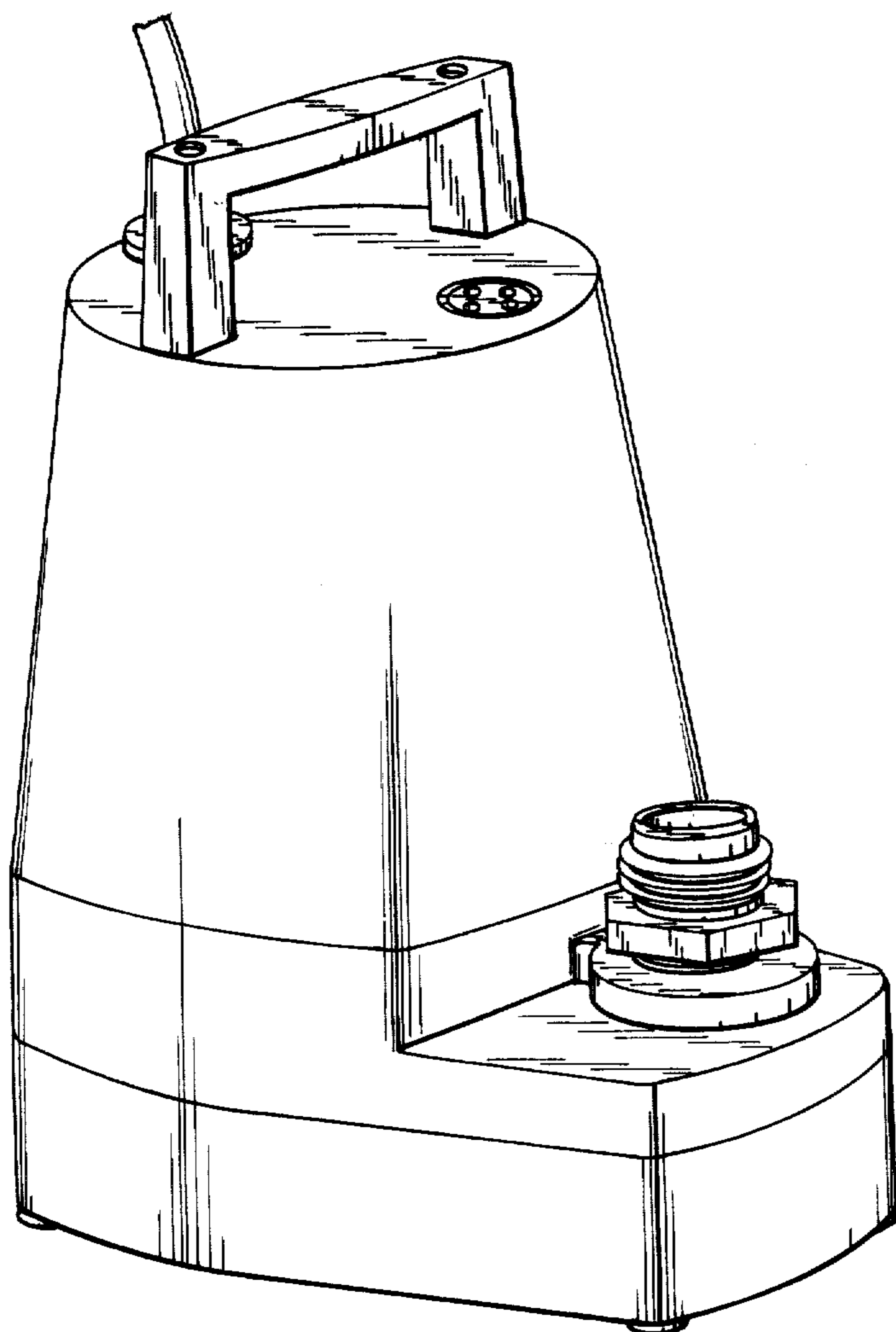


FIG. 7