

[54] WALKER

[75] Inventor: Morton I. Thomas, Nyack, N.Y.

[73] Assignee: Temco Products, Inc., Passaic, N.J.

[\*\*] Term: 14 Years

[21] Appl. No.: 181,420

[22] Filed: Aug. 26, 1980

[51] Int. Cl. .... D12-12

[52] U.S. Cl. .... D12/130

[58] Field of Search ..... D12/130; 272/70, 70.3, 272/70.4; 135/67

[56] References Cited

U.S. PATENT DOCUMENTS

D. 246,036 10/1977 Thomas ..... D12/130

D. 246,302	11/1977	Thomas	.....	D12/130
3,517,677	6/1970	Smith	.....	135/67
3,690,652	9/1972	Schneider	.....	272/70.3
3,945,389	3/1976	Smith	.....	135/67
4,180,086	12/1979	Thomas	.....	135/67

Primary Examiner—James M. Gandy  
Attorney, Agent, or Firm—Richard C. Woodbridge

[57] CLAIM

The ornamental design for a walker, as shown and described.

DESCRIPTION

FIG. 1 is a front perspective view of the walker embodying my new design;  
FIG. 2 is a rear elevational view thereof;  
FIG. 3 is a side elevational view thereof; and,  
FIG. 4 is a top plan view thereof.

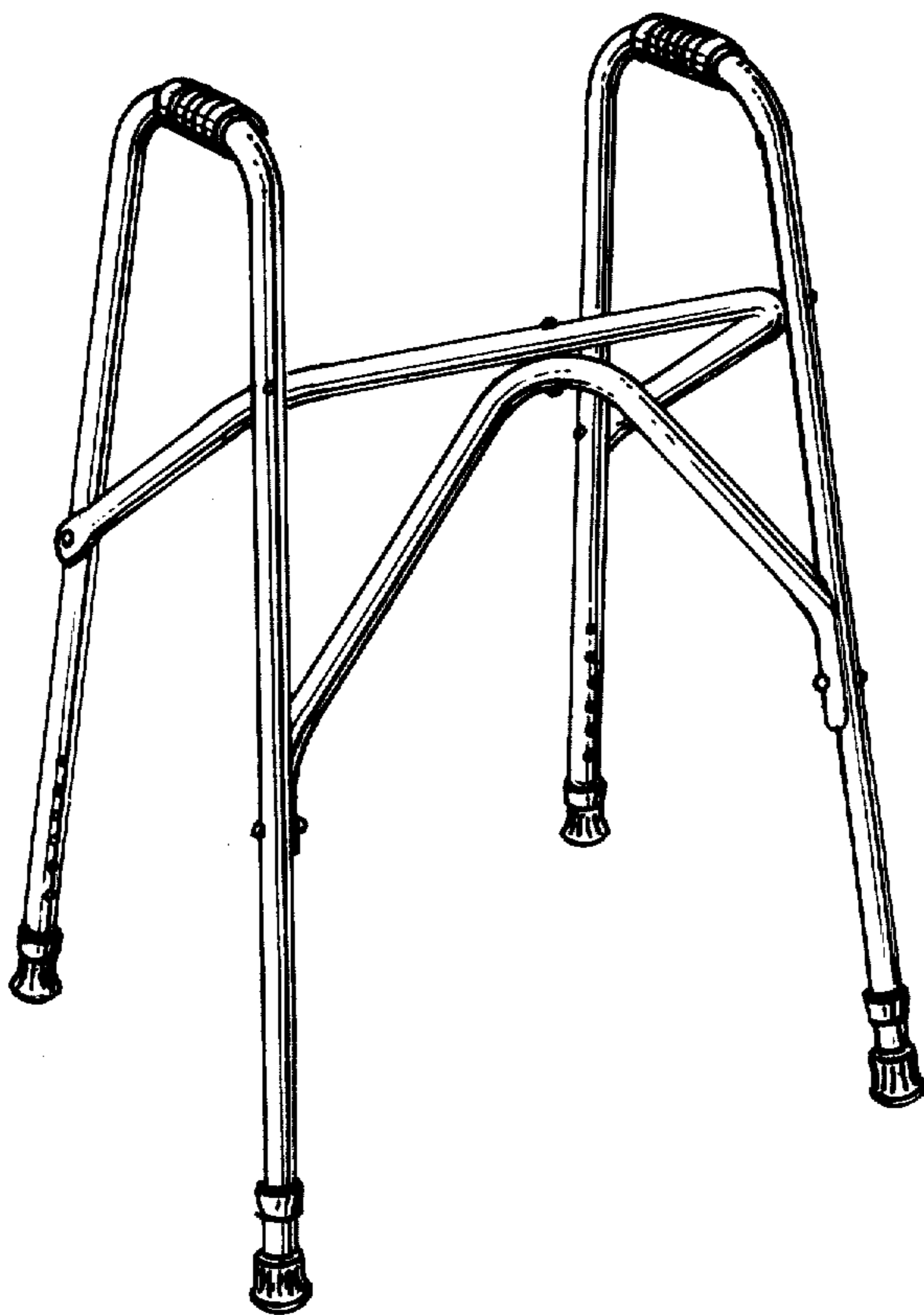


FIG. 1.

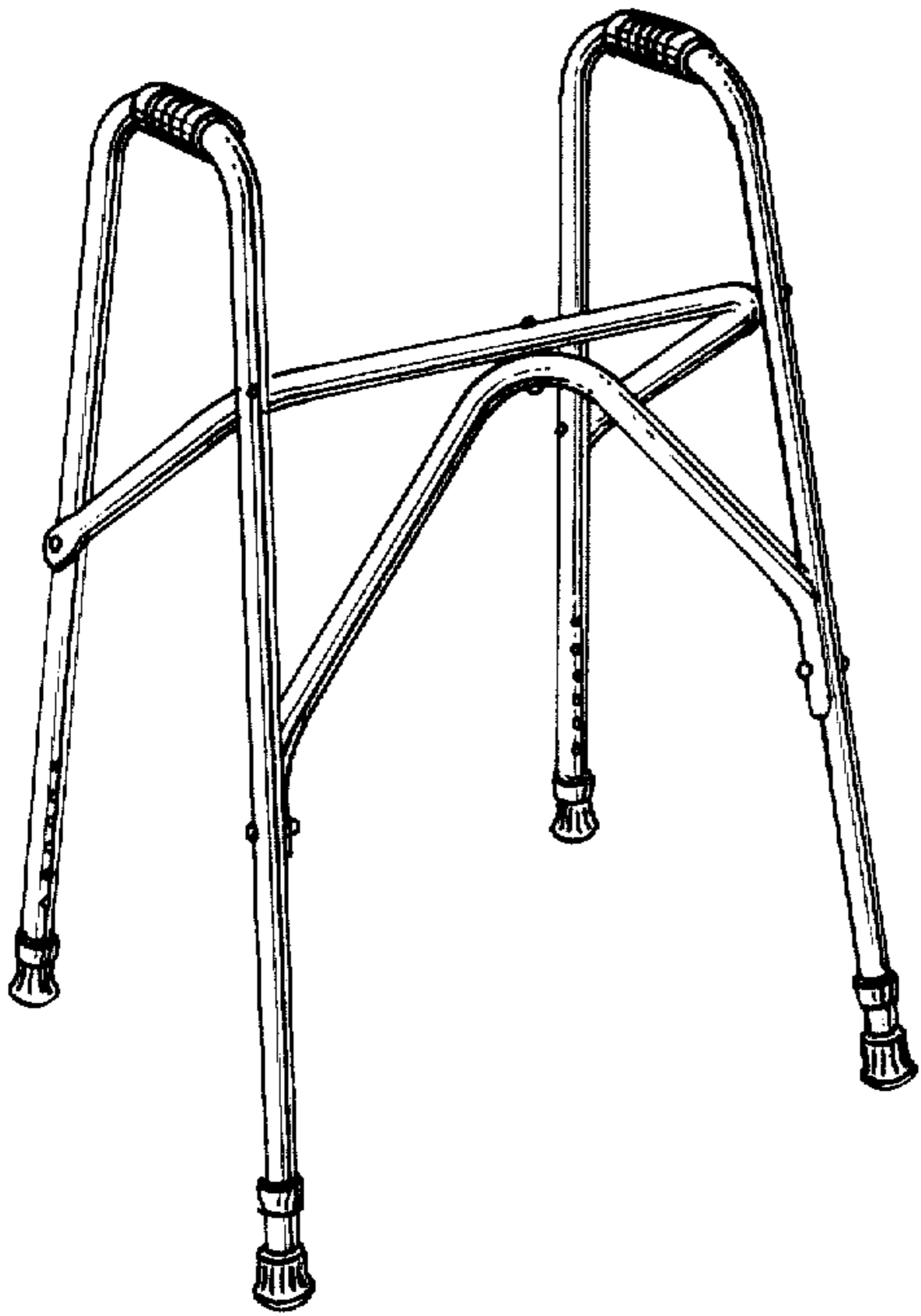


FIG. 2.

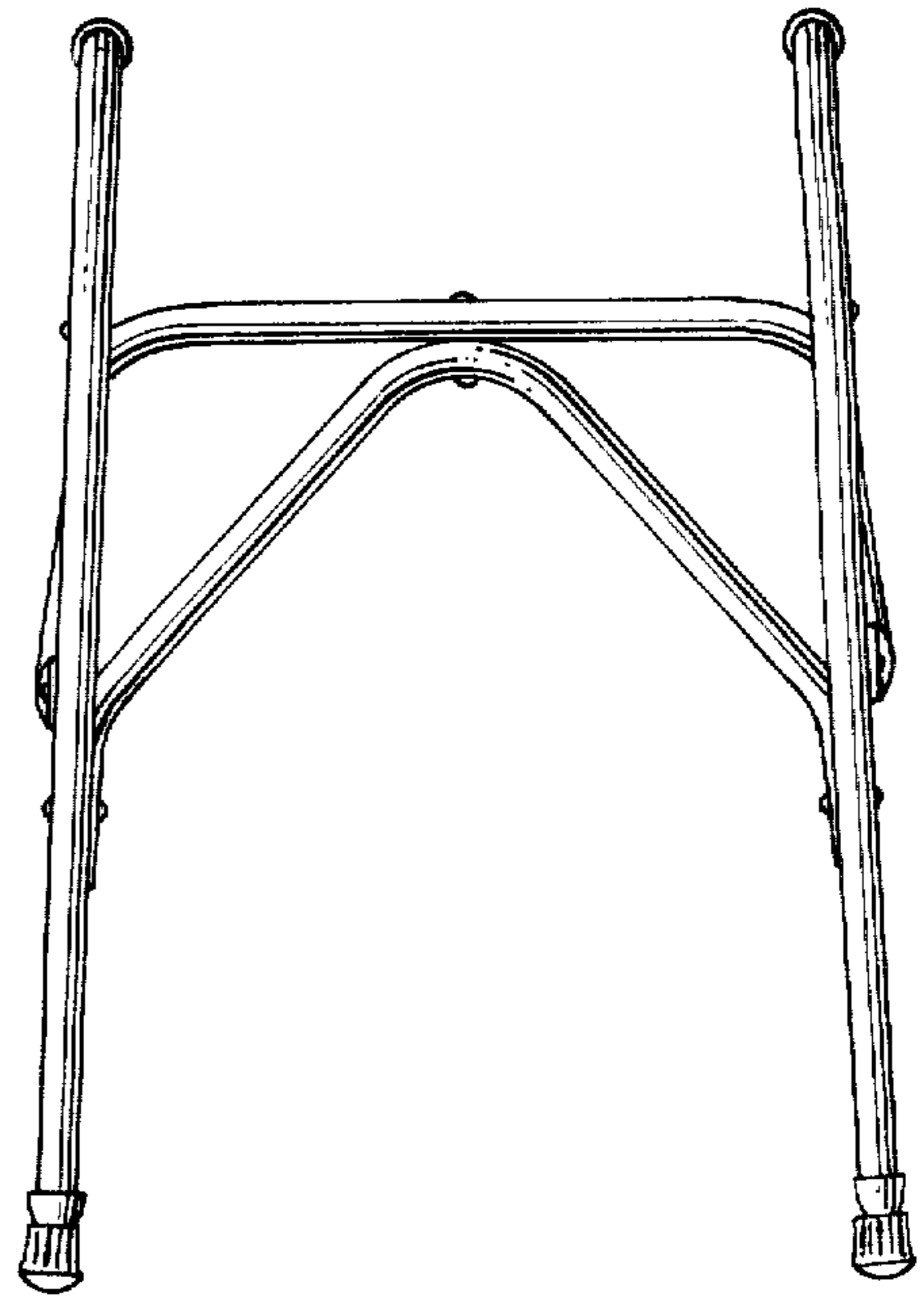


FIG. 3.

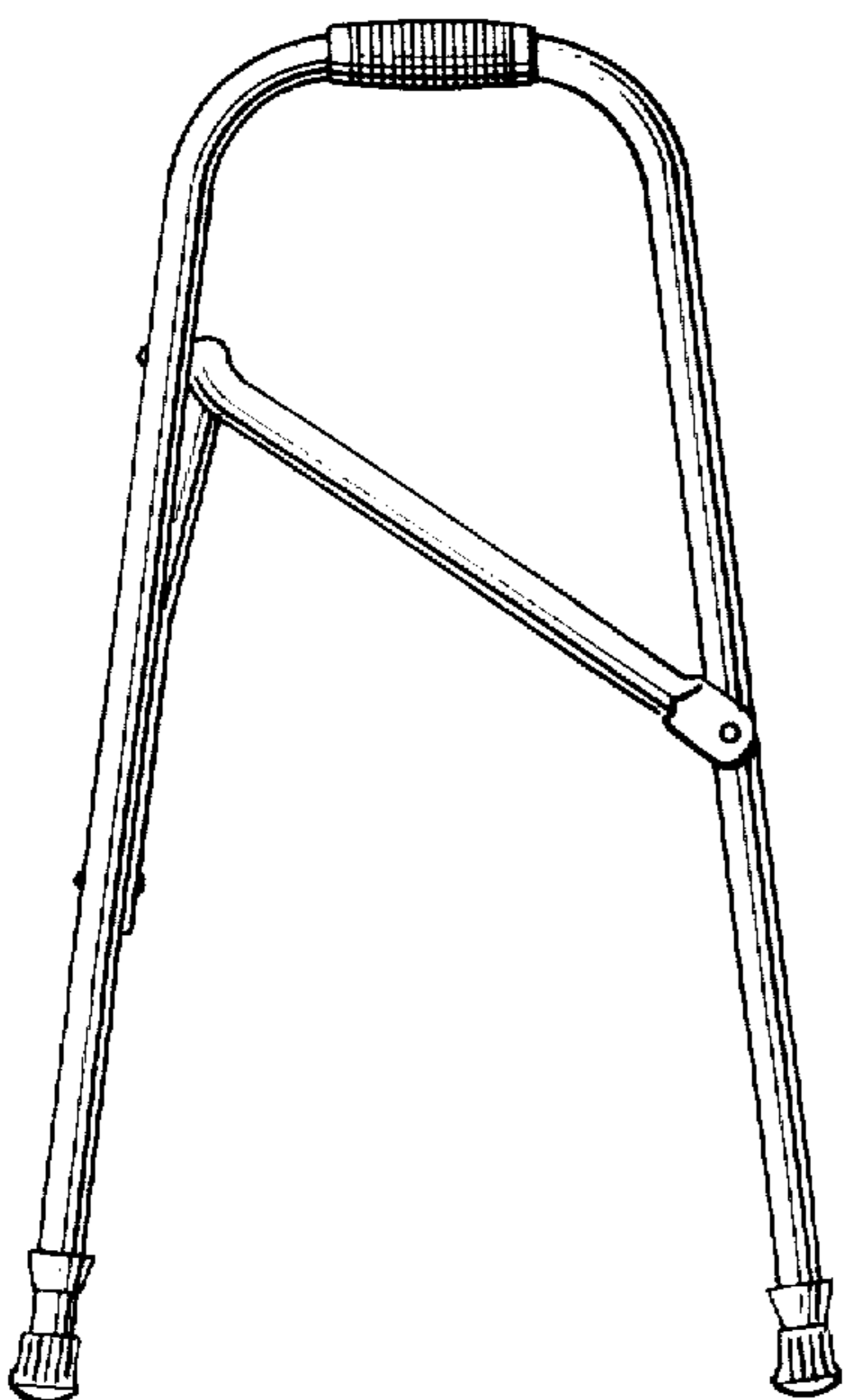


FIG. 4.

