

[54] COMBINED PEDOMETER AND CALORIE COUNTER

3,535,935 10/1970 Raudszus D10/57 X
3,818,194 6/1974 Biro 235/105
4,322,609 3/1982 Kato 235/105

[75] Inventor: Yasuji Kato, Tokyo, Japan

Primary Examiner—Nelson C. Holtje
Attorney, Agent, or Firm—Cantor and Singer

[73] Assignee: Yamasa Tokei Keiki Co., Ltd.,
Tokyo, Japan

[57] CLAIM

[**] Term: 14 Years

The ornamental design for a combined pedometer and calorie counter, as shown and described.

[21] Appl. No.: 207,002

DESCRIPTION

[22] Filed: Nov. 14, 1980

[51] Int. Cl. D10—04

FIG. 1 is a top and right front perspective view of a combined pedometer and calorie counter showing my new design;

[52] U.S. Cl. D10/97

FIG. 2 is a front elevational view thereof;

[58] Field of Search D10/97, 57; D18/6, 10;
235/78 R, 78 A, 105

FIG. 3 is a right side elevational view thereof, the left side being a mirror image thereto;

[56] References Cited

U.S. PATENT DOCUMENTS

2,724,552 11/1955 Sherwood D18/10 X

FIG. 4 is a top plan view thereof;

FIG. 5 is a bottom plan view thereof;

FIG. 6 is a rear elevational view thereof.

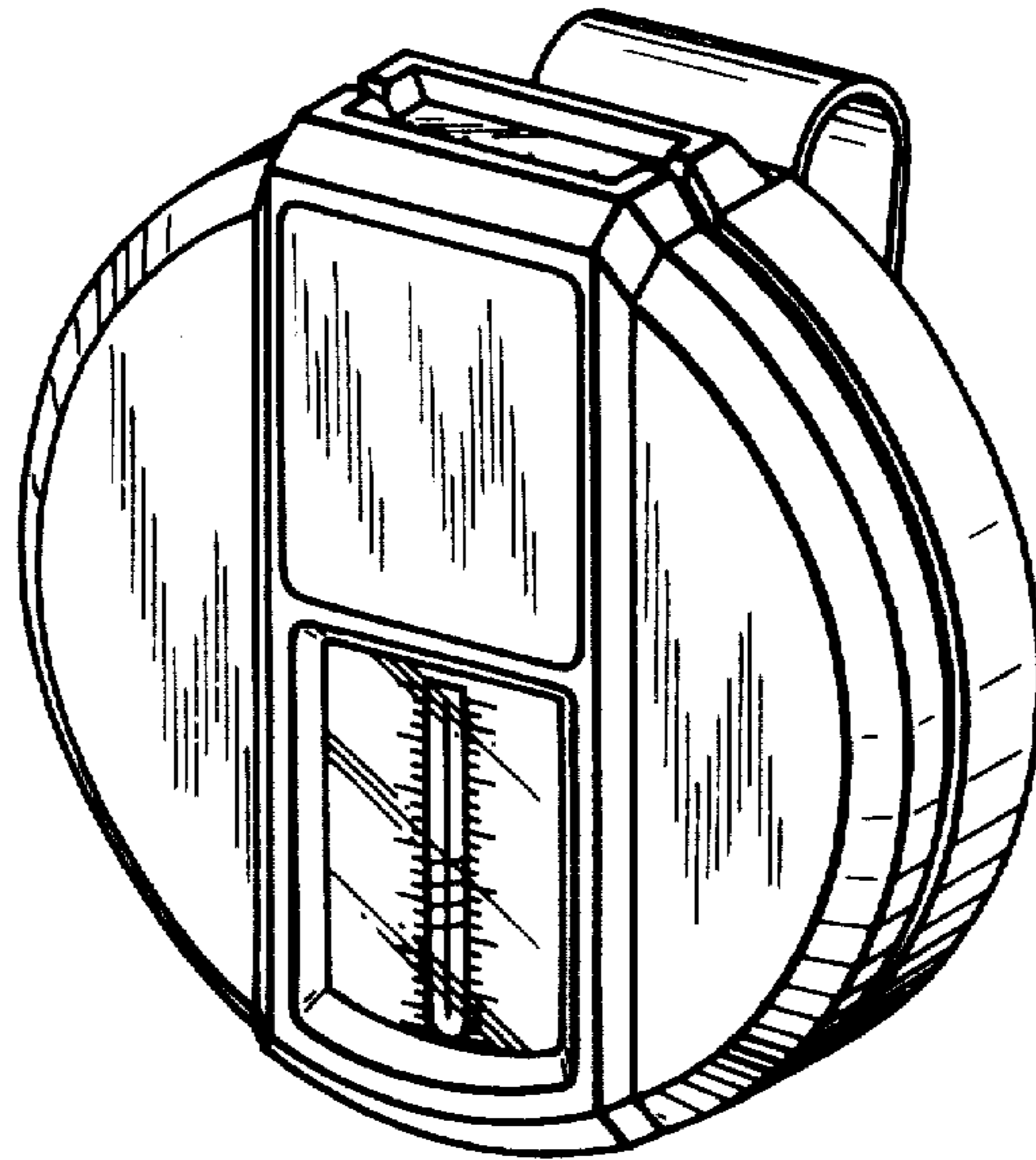


FIG. 1

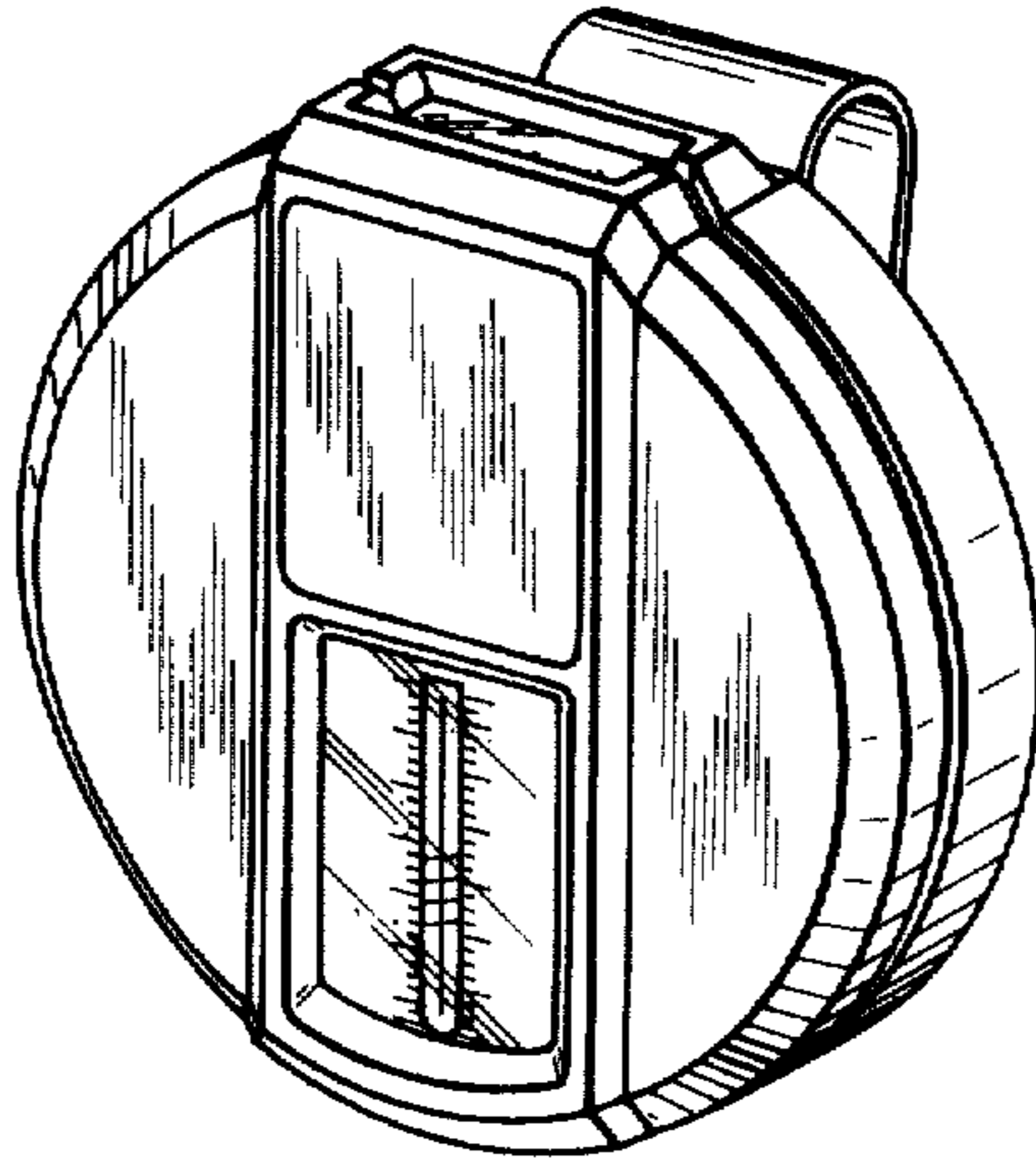


FIG. 2

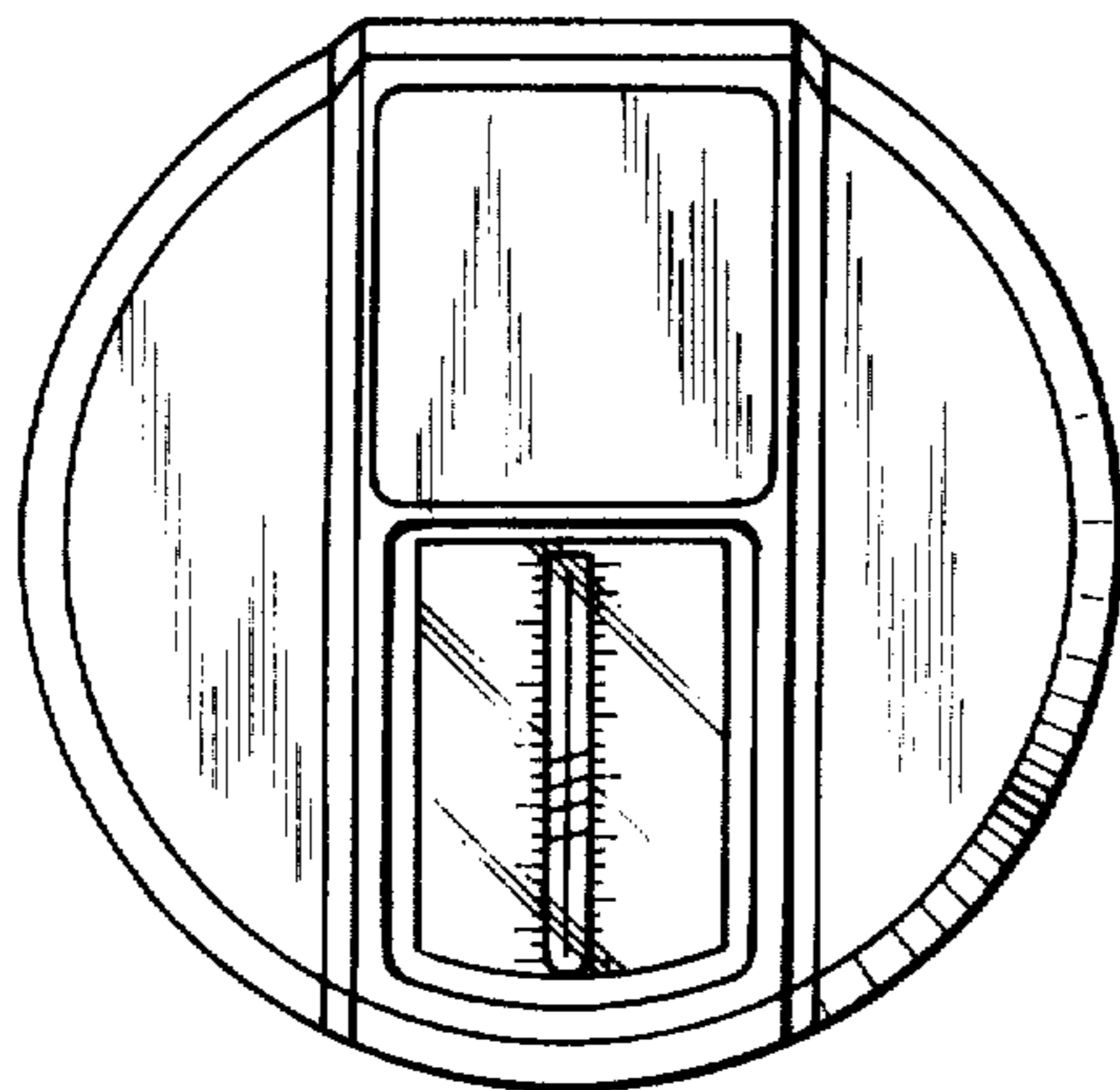


FIG. 3

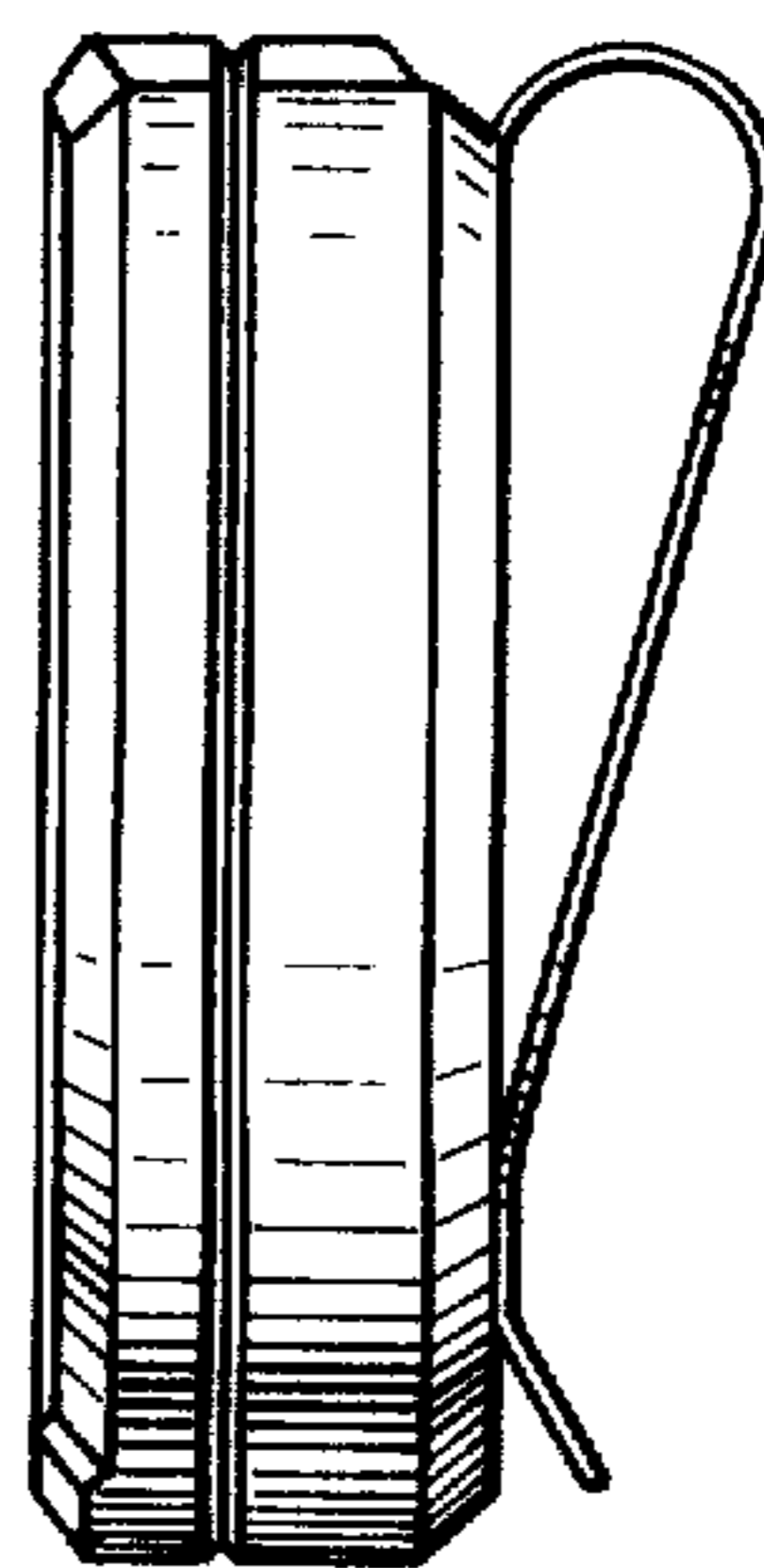


FIG. 4

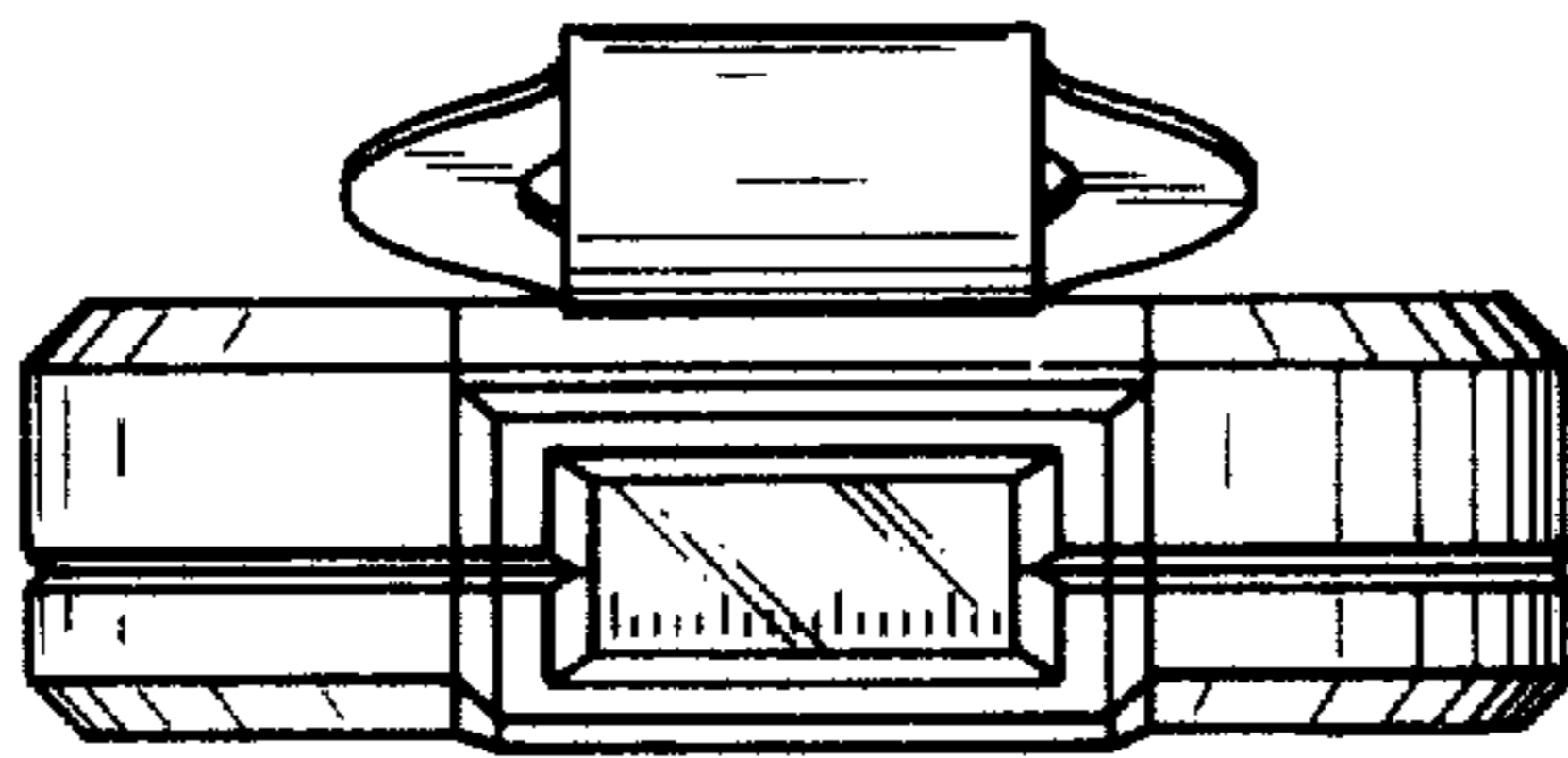


FIG. 5

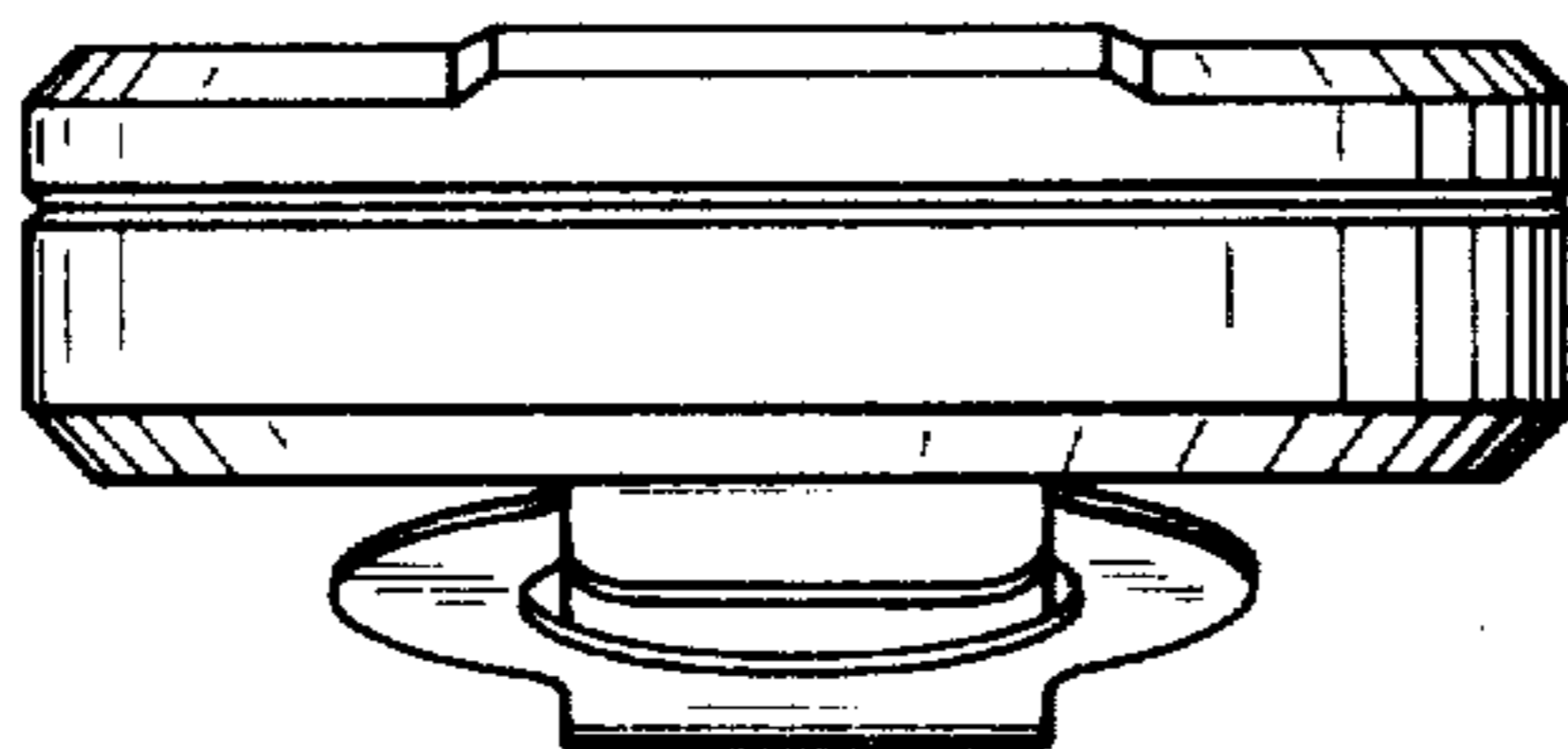


FIG. 6

