

[54] DESIGN FOR A WATCH

[75] Inventors: Susumu Suzuki; Toshihiro Ootsuki; Hiroshi Saito, all of Suwa, Japan

[73] Assignee: Kabushiki Kaisha Suwa Seikosha, Tokyo, Japan

[\*\*] Term: 7 Years

[21] Appl. No.: 126,071

[22] Filed: Feb. 29, 1980

[30] Foreign Application Priority Data

Sep. 5, 1979 [JP] Japan ..... 54-37172

[51] Int. Cl. .... D10-02

[52] U.S. Cl. .... D10/38

[58] Field of Search ..... D10/2, 15, 30-39, D10/122-126; 368/239, 241-242, 82-84, 276, 285

[56] References Cited

U.S. PATENT DOCUMENTS

4,261,049 4/1981 Komiyama ..... 368/239 X

OTHER PUBLICATIONS

*Jeweler's Circular-Keystone-2/79-p.* 294-Digital Watches.

*Jeweler's Circular-Keystone-6/79-p.* 60-Dig. Watch at top center.

*Jeweler's Circular-Keystone-5/75-p.* 13-watches at bottom center & right.

*Primary Examiner*—Nelson C. Holtje  
*Attorney, Agent, or Firm*—Blum, Kaplan, Friedman, Silberman & Beran

[57] CLAIM

The ornamental design for a watch, as shown and described.

DESCRIPTION

FIG. 1 is a front elevational view of a watch showing my new design;

FIG. 2 is a top plan view thereof;

FIG. 3 is a left side elevational view thereof;

FIG. 4 is a right side elevational view thereof;

FIG. 5 is a bottom plan view thereof;

FIG. 6 is a rear elevational view thereof; and

FIG. 7 is a top plan view of another embodiment of my new design of FIGS. 1-6, all other views are identical thereto.

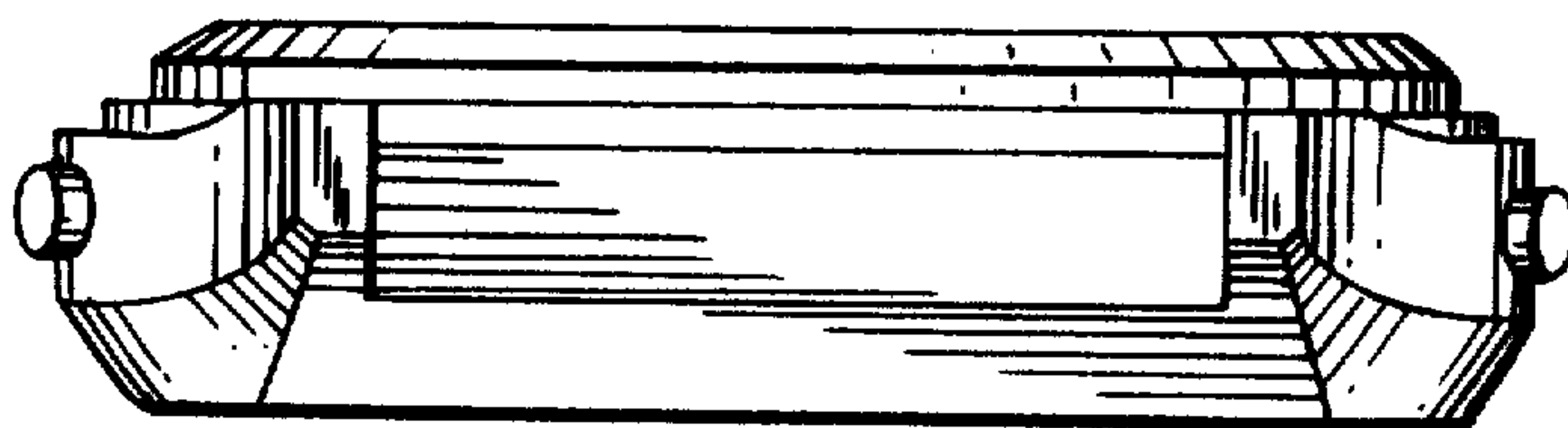


FIG. 1

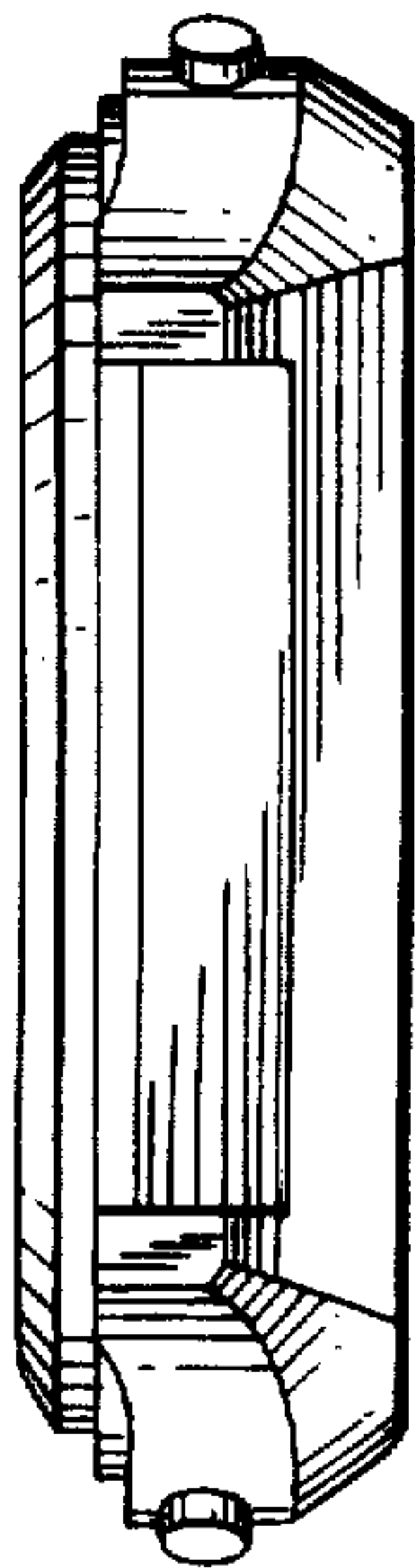


FIG. 4

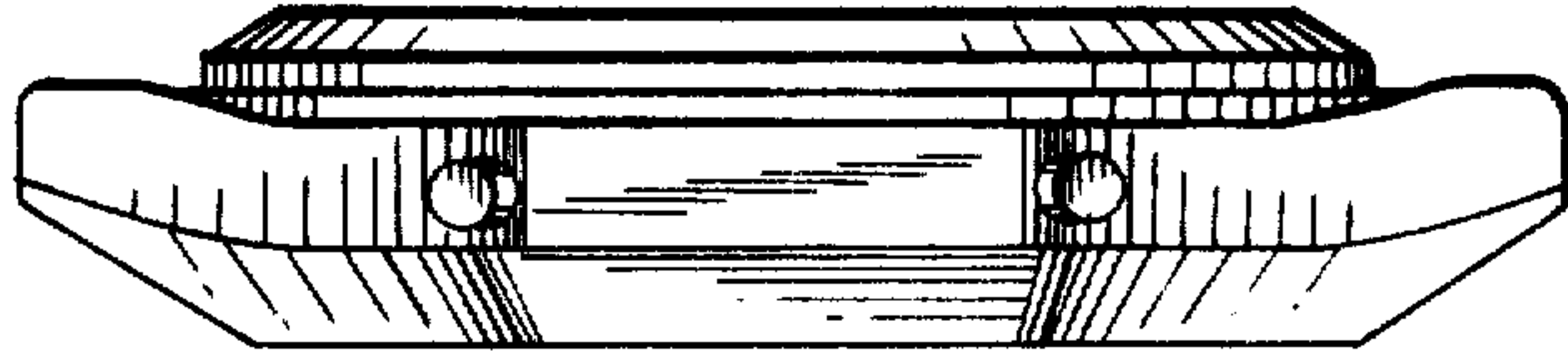


FIG. 2

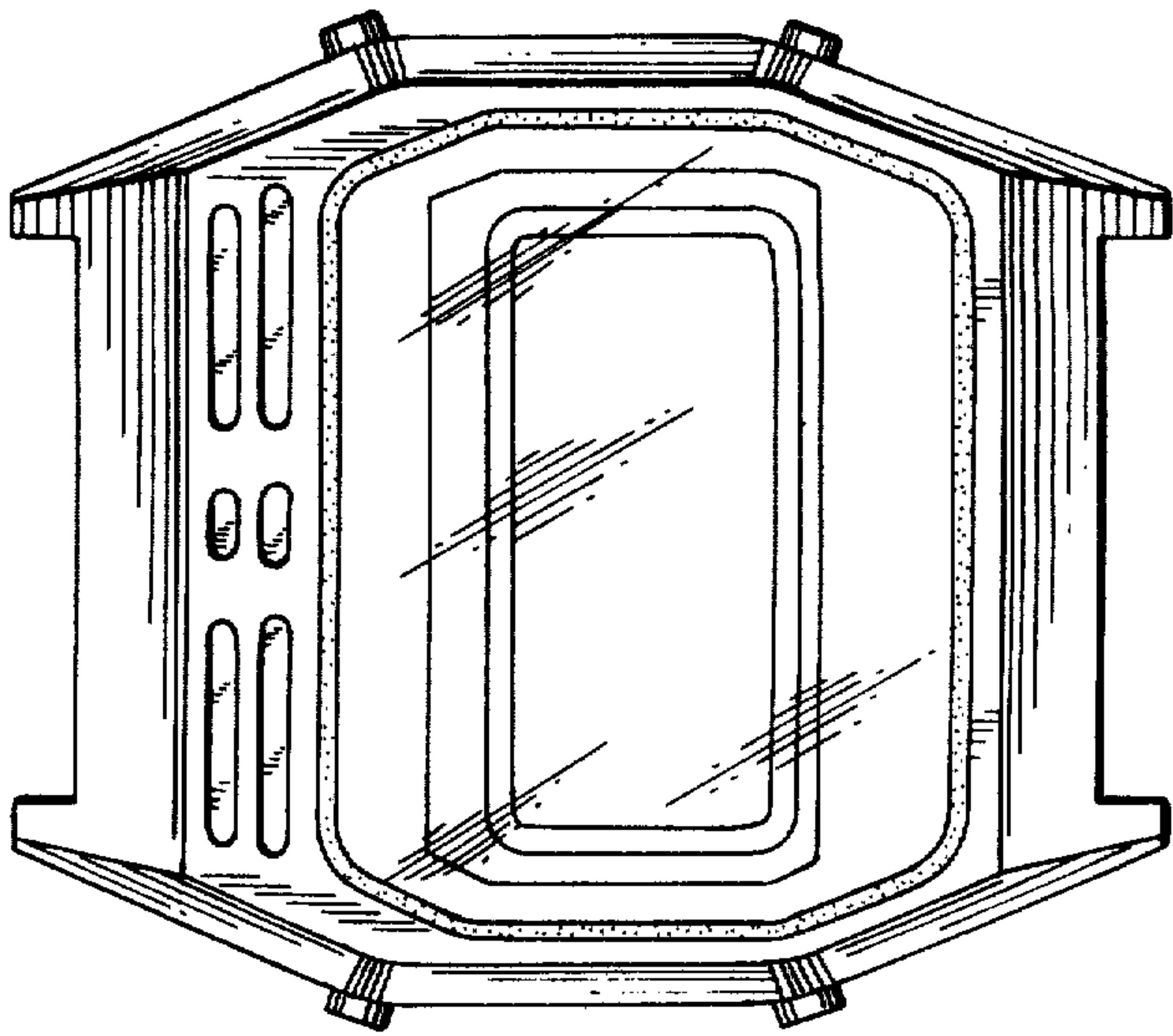


FIG. 3

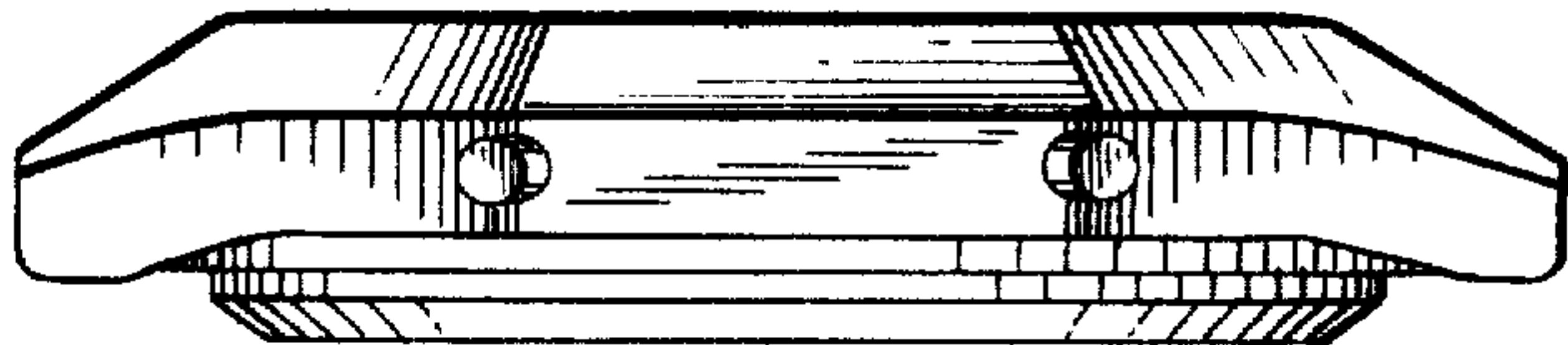


FIG. 5

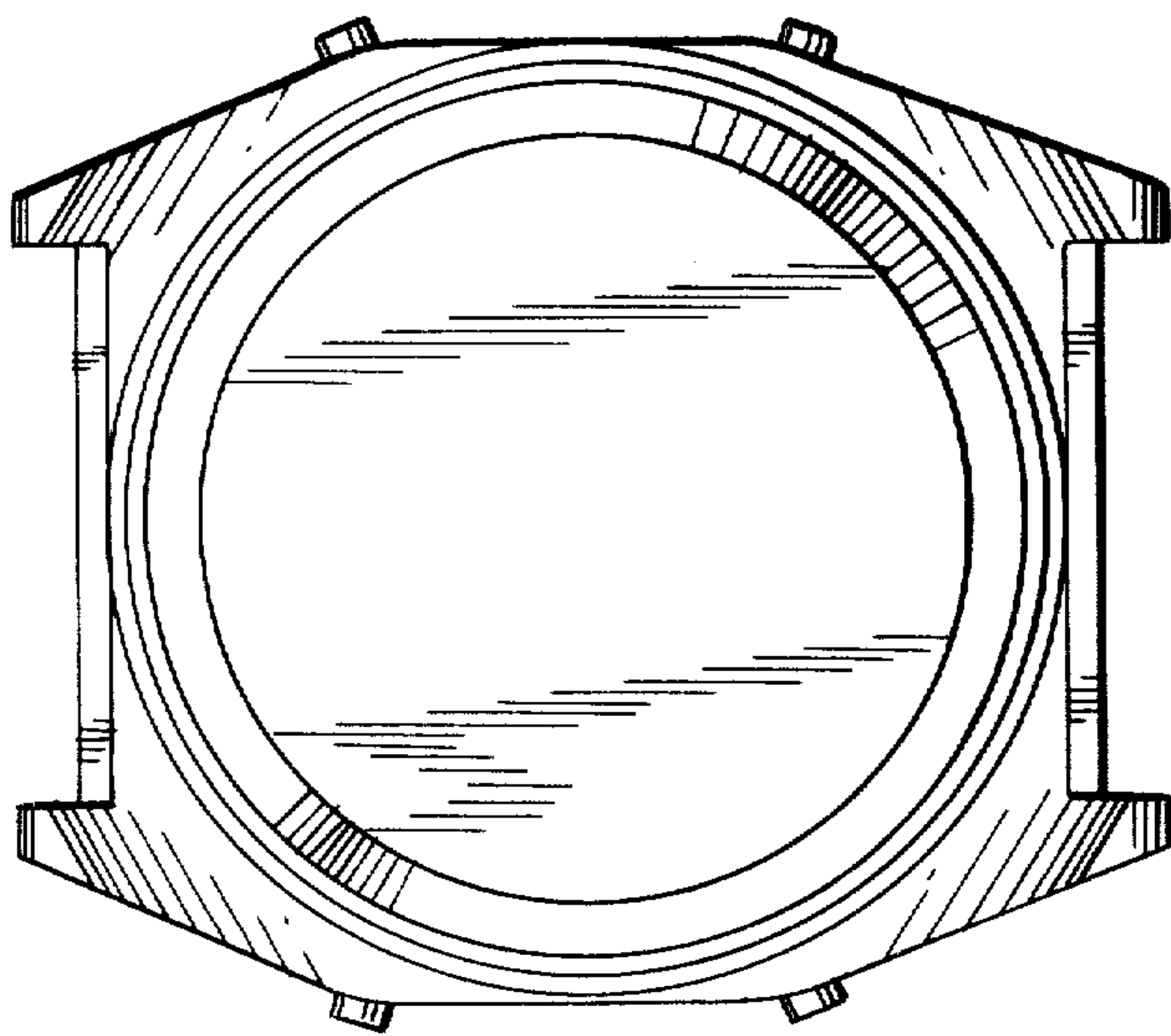


FIG. 7

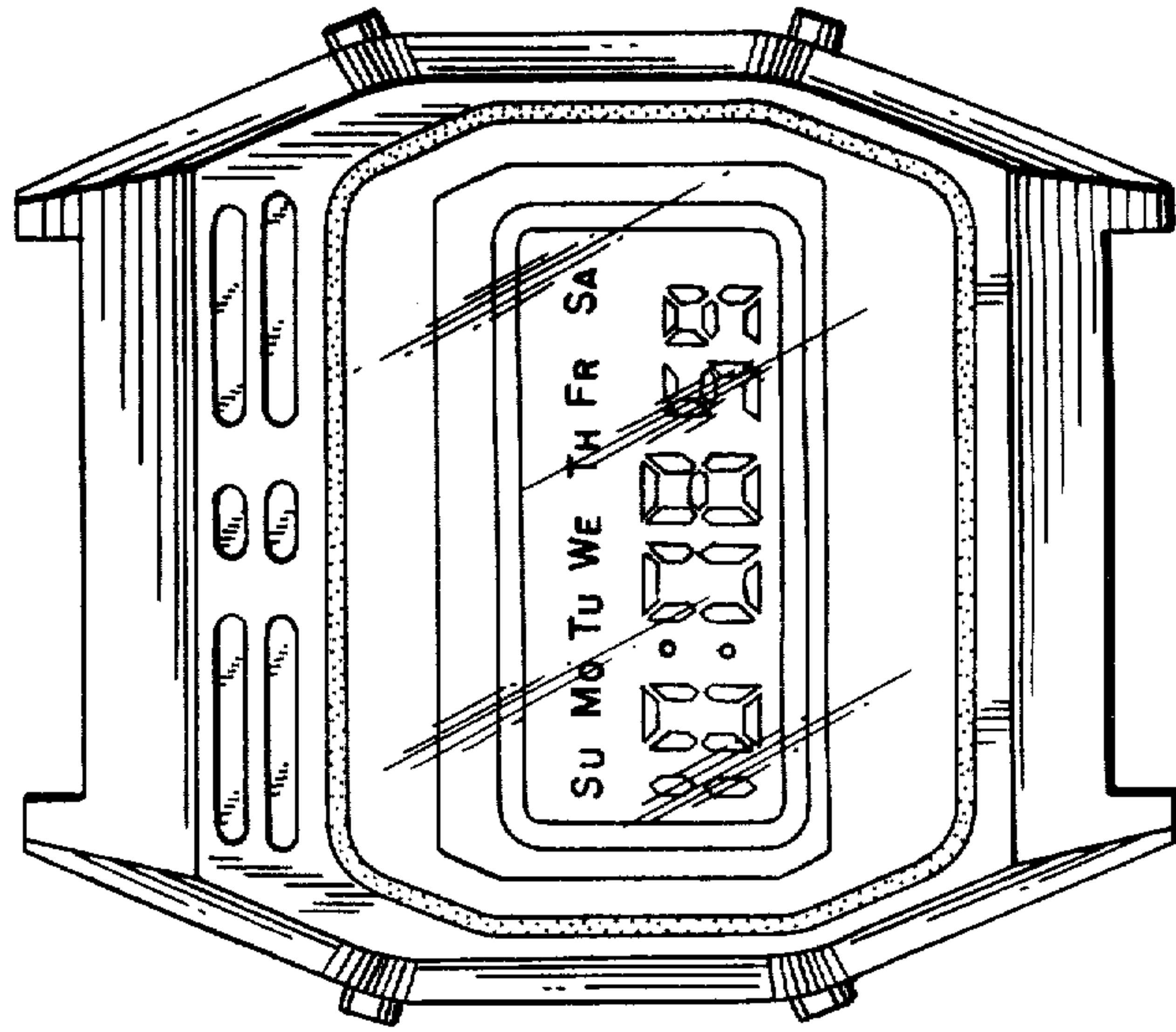


FIG. 6

