

[54] **LOCKING DEVICE FOR TELESCOPIC DISPLACEABLE TUBES**

[76] **Inventor:** Frode Fron, Boks 870, 1601 Fredrikstad, Norway

[**] **Term:** 14 Years

[21] **Appl. No.:** 204,453

[22] **Filed:** Nov. 6, 1980

Related U.S. Application Data

[63] Continuation of Ser. No. 950,388, Oct. 11, 1978, abandoned.

Foreign Application Priority Data

Sep. 28, 1978 [SE] Sweden 782222
 Oct. 6, 1978 [CA] Canada 06-10-78
 Oct. 10, 1978 [DE] Fed. Rep. of Germany MR14576

[51] **Int. Cl.** **D8-08**

[52] **U.S. Cl.** **D8/385**

[58] **Field of Search** D8/385; 411/33, 42, 411/60

References Cited

U.S. PATENT DOCUMENTS

D. 241,618 9/1976 Toomigas D8/385

3,283,640	11/1966	Ono	411/33
3,766,819	10/1973	Giannuzzi	411/60
4,033,222	7/1977	Wilson	411/33
4,089,249	5/1978	Binns	411/510
4,242,939	1/1981	Osborne et al.	411/60 X

OTHER PUBLICATIONS

P. 74 of Hardware Age, Jun. 30, 1960, Arro Expansion Bolt Co., Stud Bolt Anchor.
 Design Fasteners Book, ©1960, p. 191, McCormick-Selph Explosive Bolt.

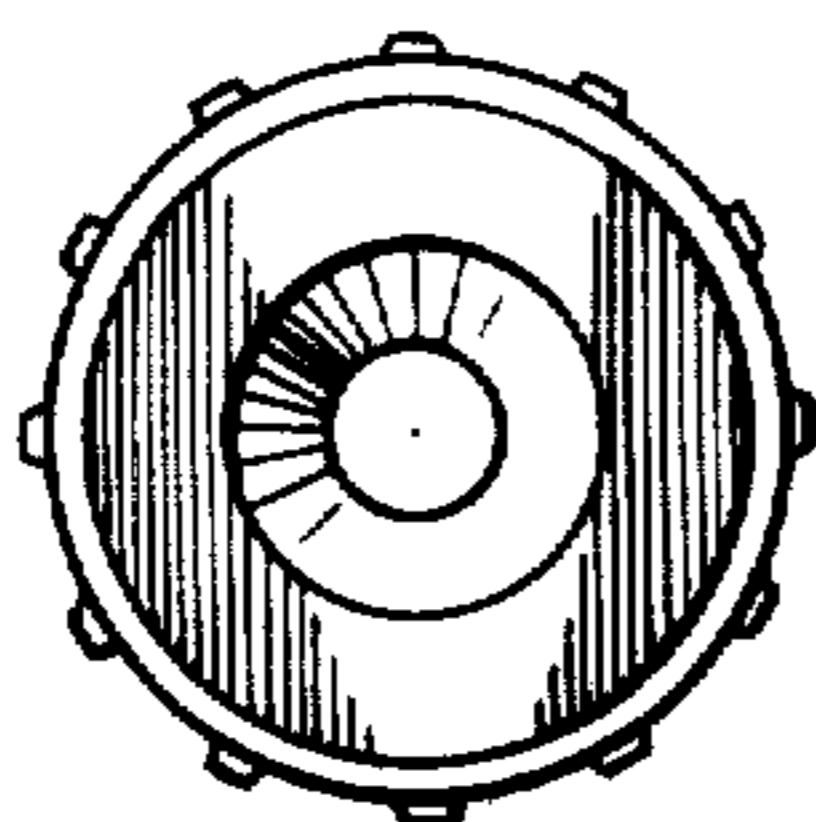
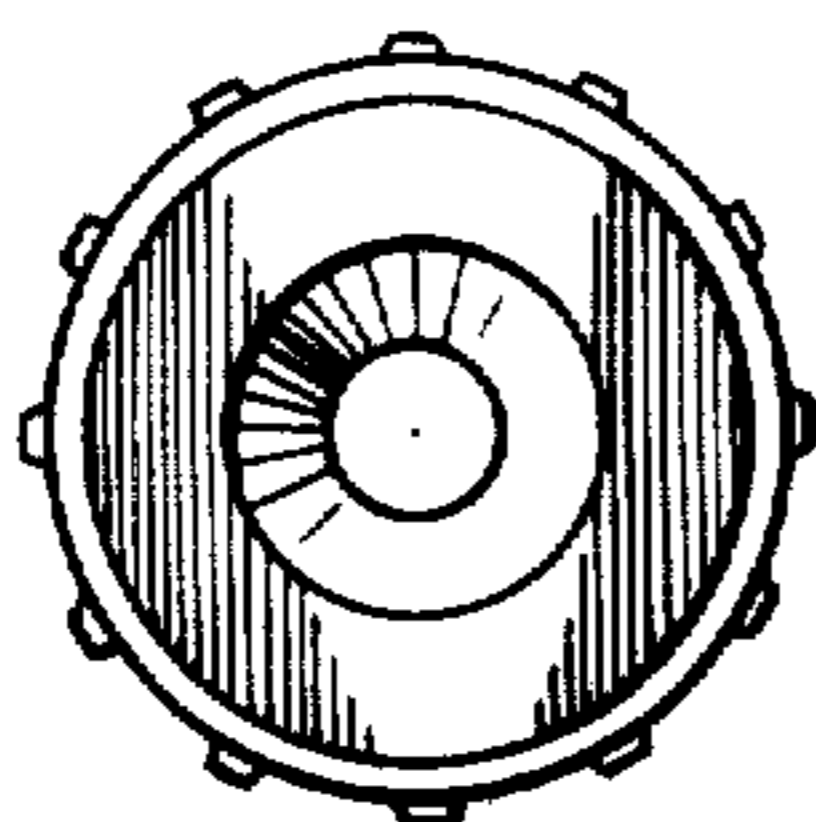
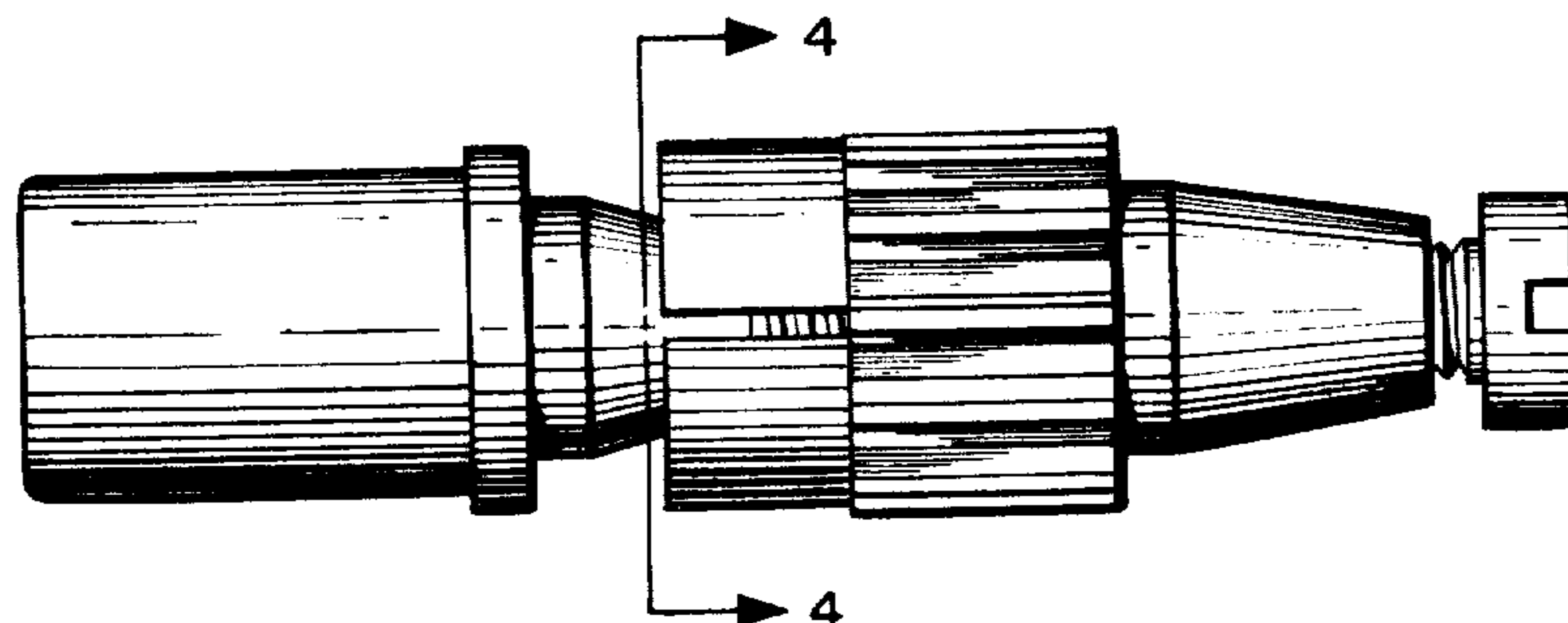
Primary Examiner—Bernard Ansher
Attorney, Agent, or Firm—Howson and Howson

[57] **CLAIM**

The ornamental design for a locking device for telescopic displaceable tubes, substantially as shown and described.

DESCRIPTION

FIG. 1 is a side elevation of a locking device embodying my new design;
 FIG. 2 is an elevation thereof, as viewed from the right-hand side of FIG. 1;
 FIG. 3 is an elevation thereof, as viewed from the left-hand side of FIG. 1; and
 FIG. 4 is a vertical section thereof, taken on the plane 4—4, indicated in FIG. 1.



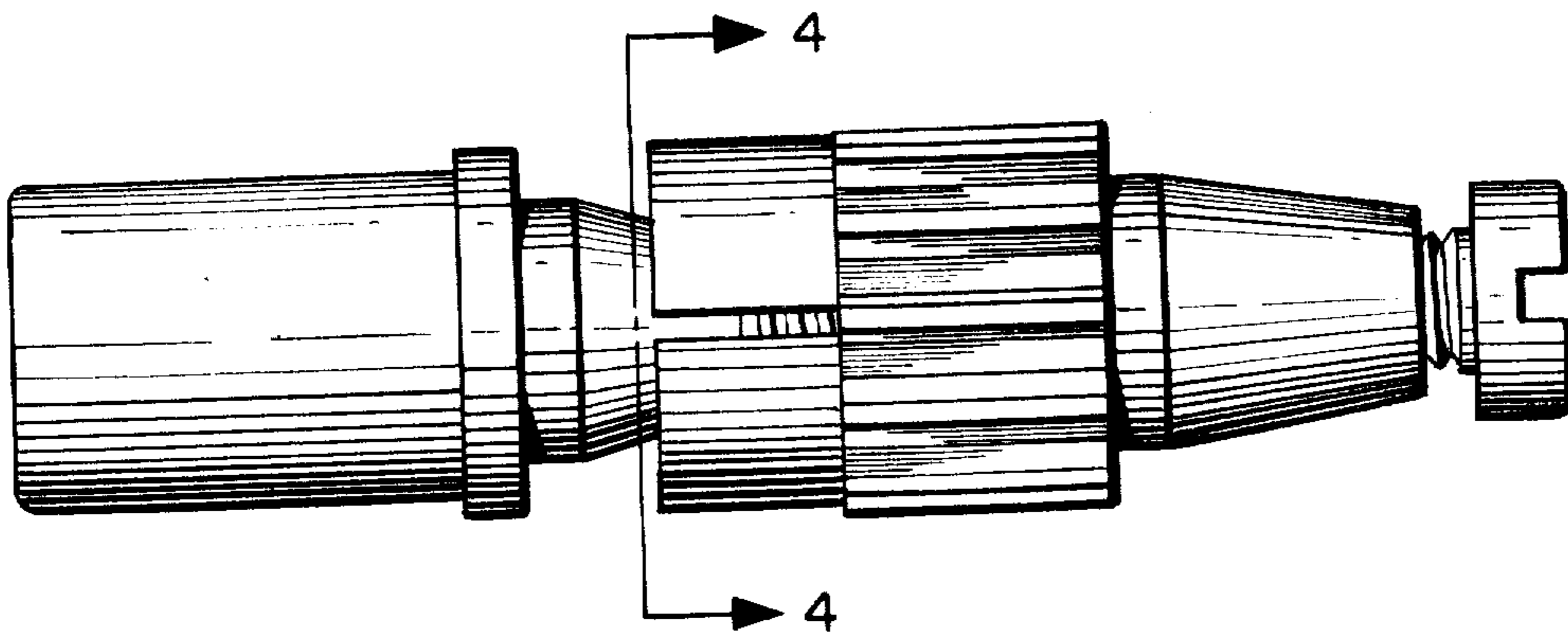


FIG. 1.

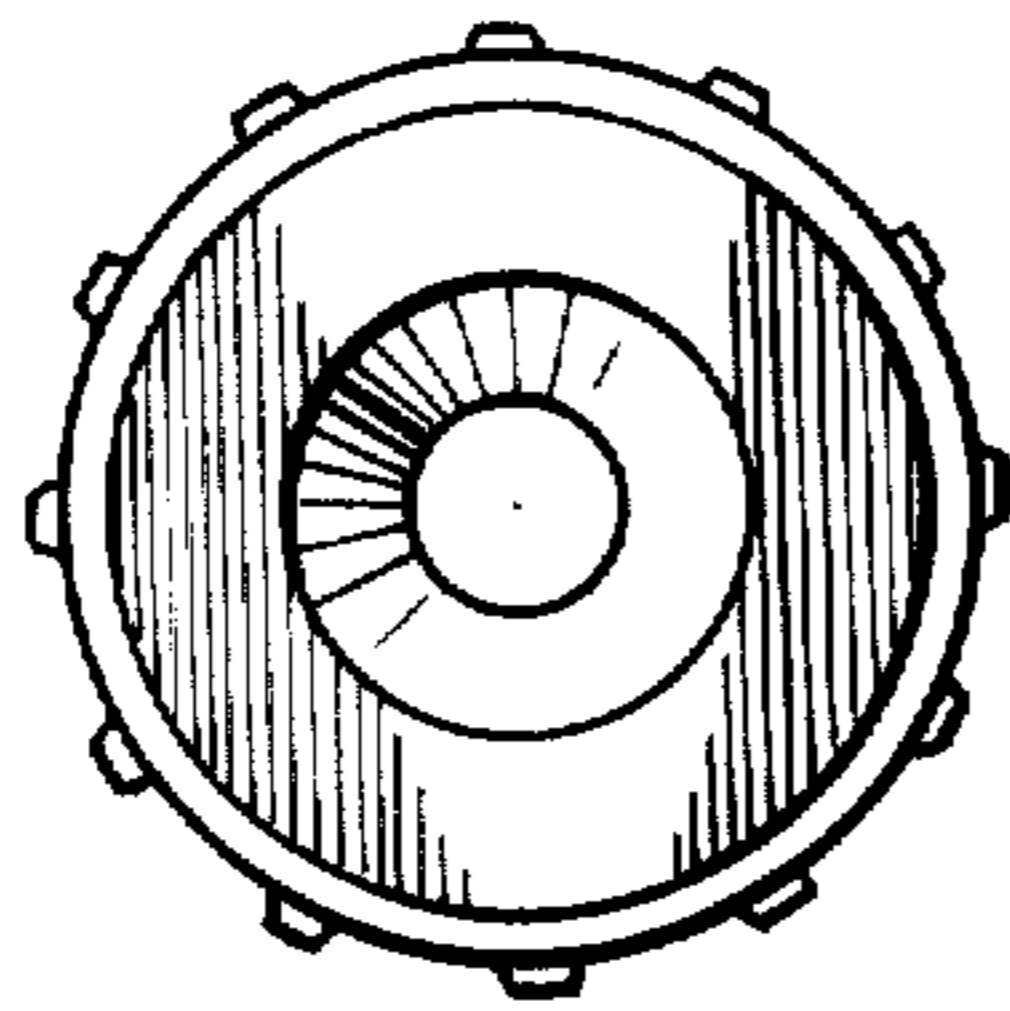


FIG. 3.

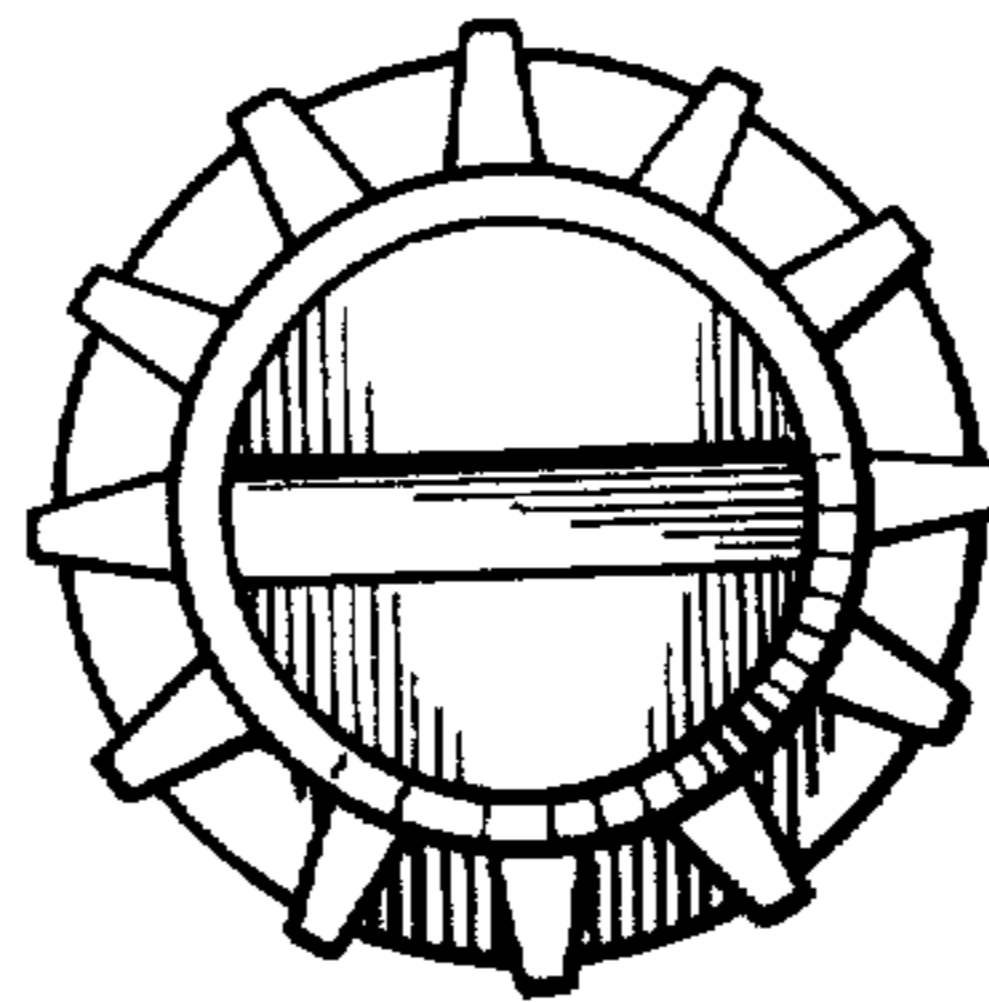


FIG. 2.

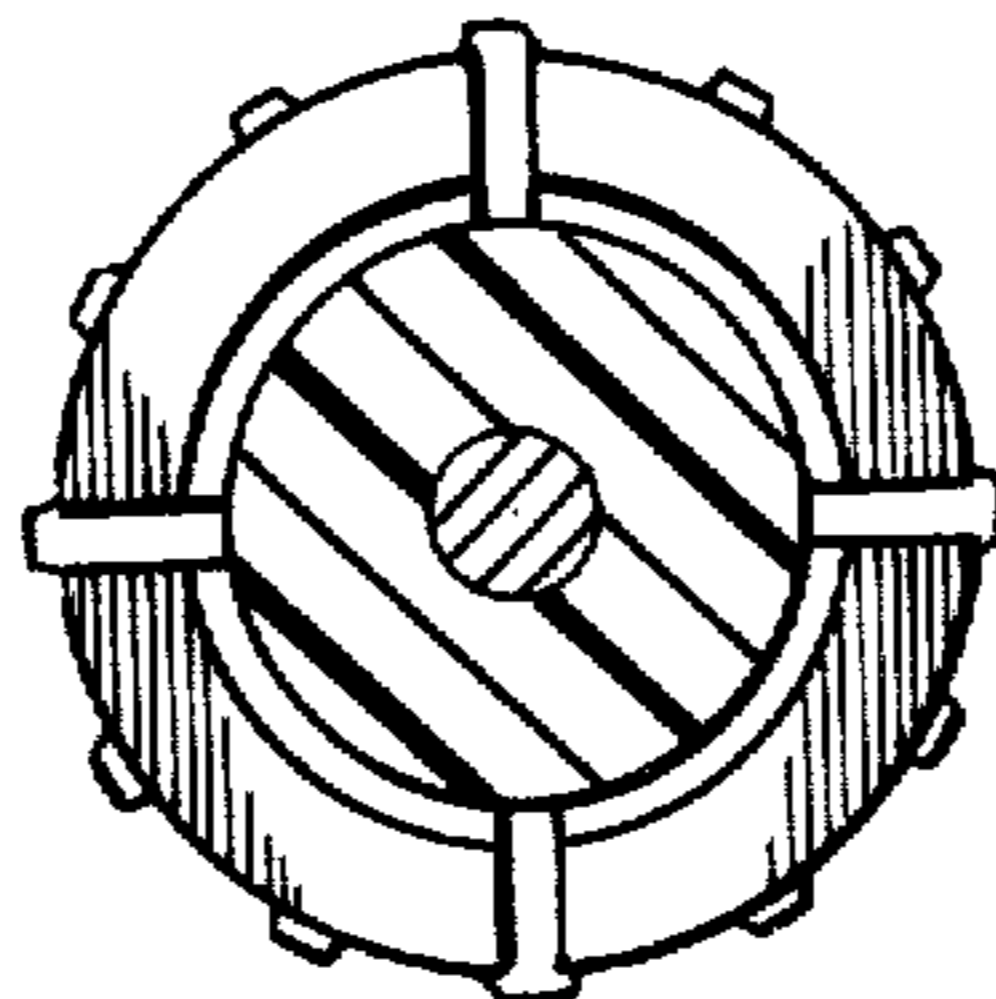


FIG. 4.