

[54] GLASS CUTTER ATTACHMENT

[75] Inventor: Thomas A. Insolio, Bristol, Conn.

[73] Assignee: The Fletcher-Terry Company, Farmington, Conn.

[\*\*] Term: 14 Years

[21] Appl. No.: 197,785

[22] Filed: Oct. 17, 1980

[51] Int. Cl. .... D8-03; D8-05

[52] U.S. Cl. .... D8/51

[58] Field of Search .... D8/51; 30/164.95

[56] References Cited

U.S. PATENT DOCUMENTS

4,040,182	8/1977	O'Dell	30/164.95
4,203,209	5/1980	Insolio	30/164.95
4,283,852	8/1981	Hooper	30/164.95

Primary Examiner—Alan P. Douglas

[57] CLAIM

The ornamental design for a glass cutter attachment, as shown.

DESCRIPTION

FIG. 1 is a perspective top right side quartering view illustrating my attachment design with a conventional glass cutter being illustrated in phantom lines with reference thereto.

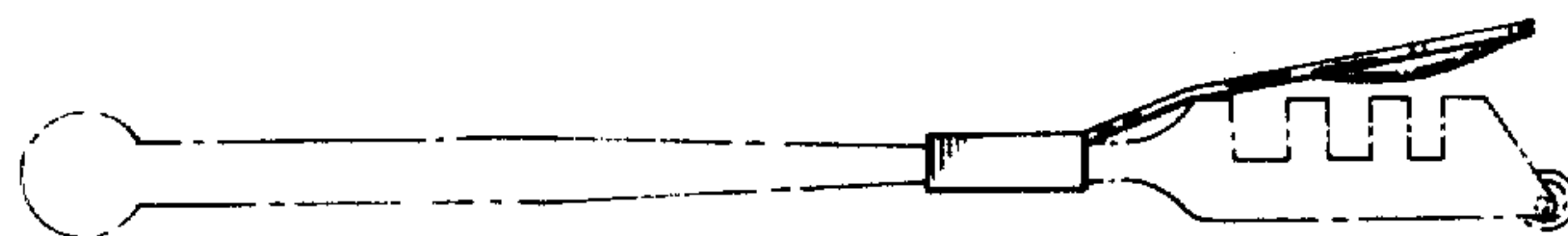
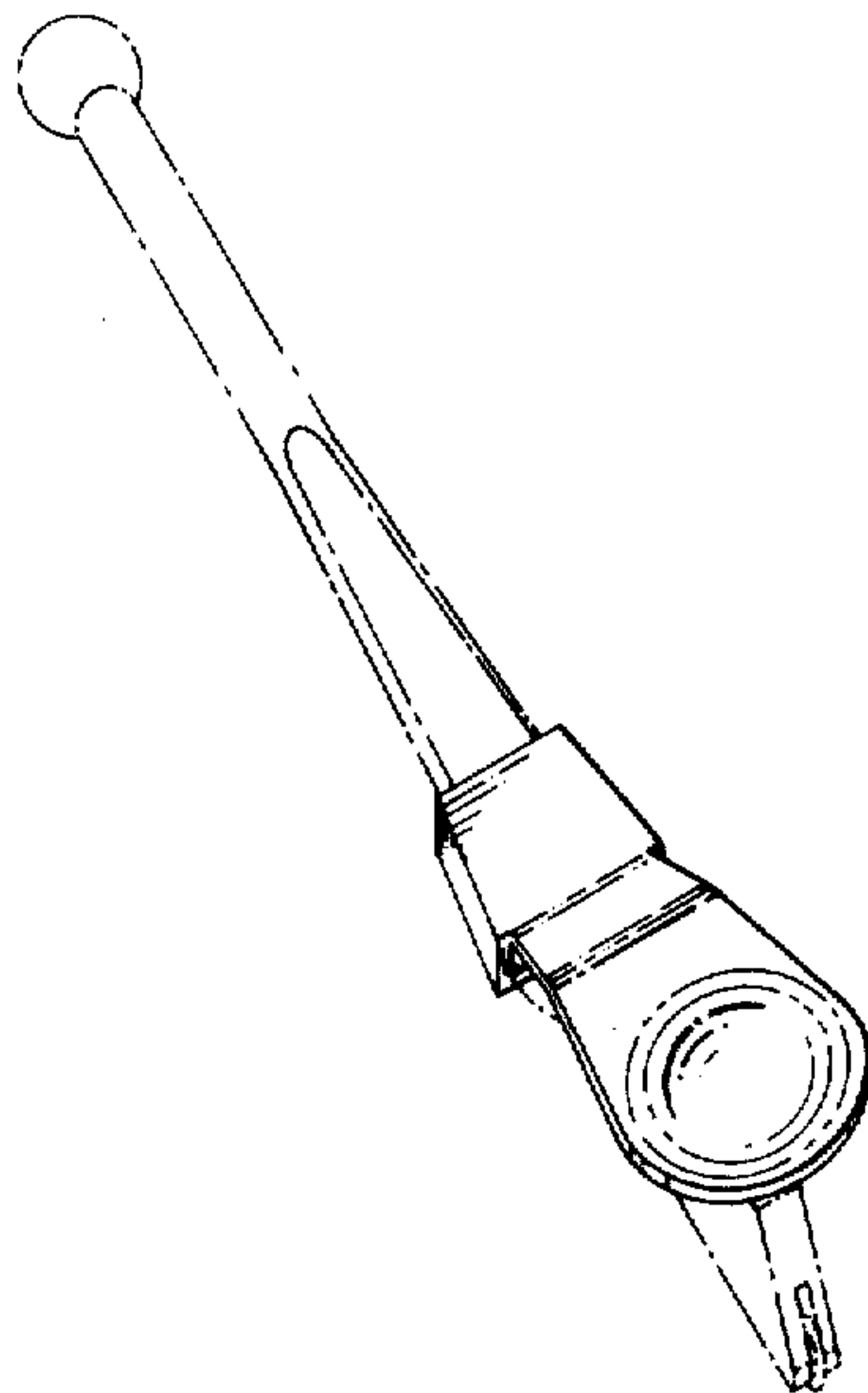
FIG. 2 is a plan view of the attachment from FIG. 1 with glass cutter again illustrated in phantom lines.

FIG. 3 is a side elevational view of the attachment illustrated in FIGS. 1 and 2 again with the glass cutter illustrated in phantom lines.

FIG. 4 is an end view of the attachment illustrated FIGS. 1, 2, and 3.

FIG. 5 is a bottom view of the attachment illustrated in FIGS. 1-4 inclusively, again with the glass cutter illustrated in phantom lines and

FIG. 6 is an end view of the attachment taken from the opposite end from that of FIG. 4.



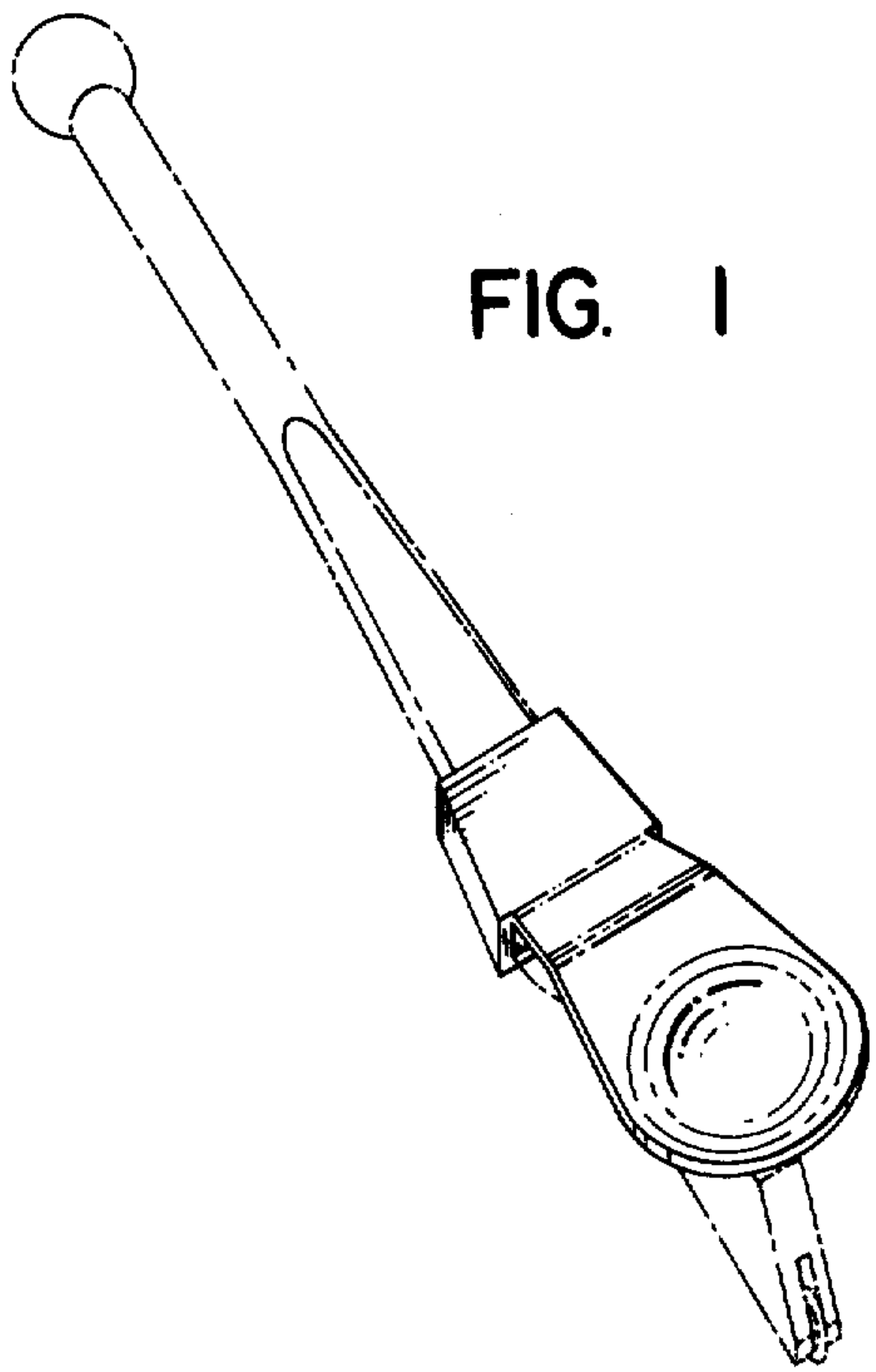


FIG. 1

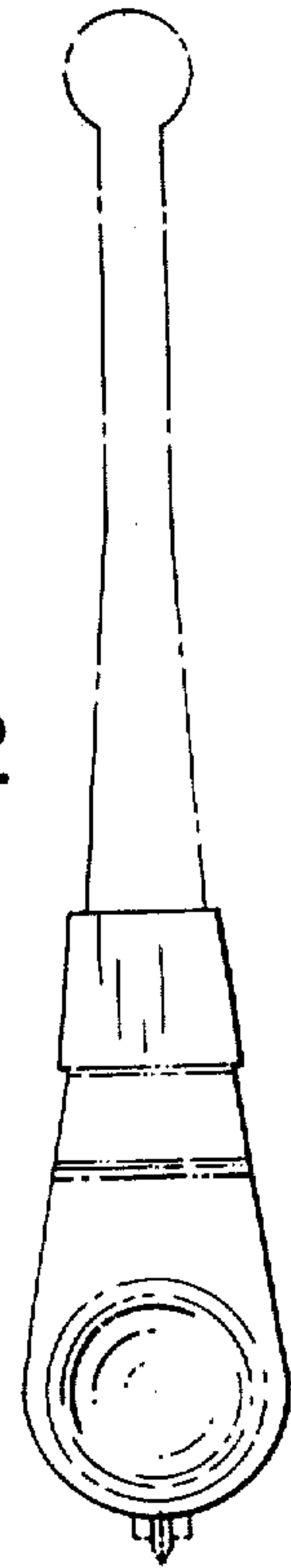


FIG. 2

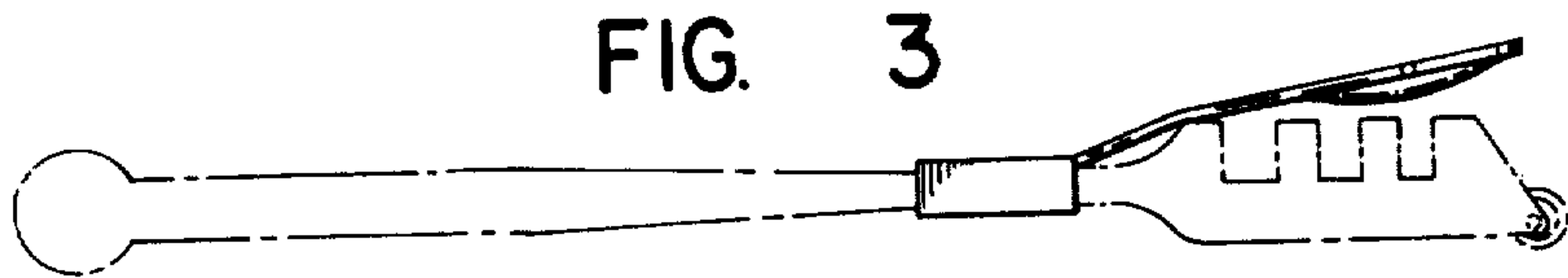


FIG. 3

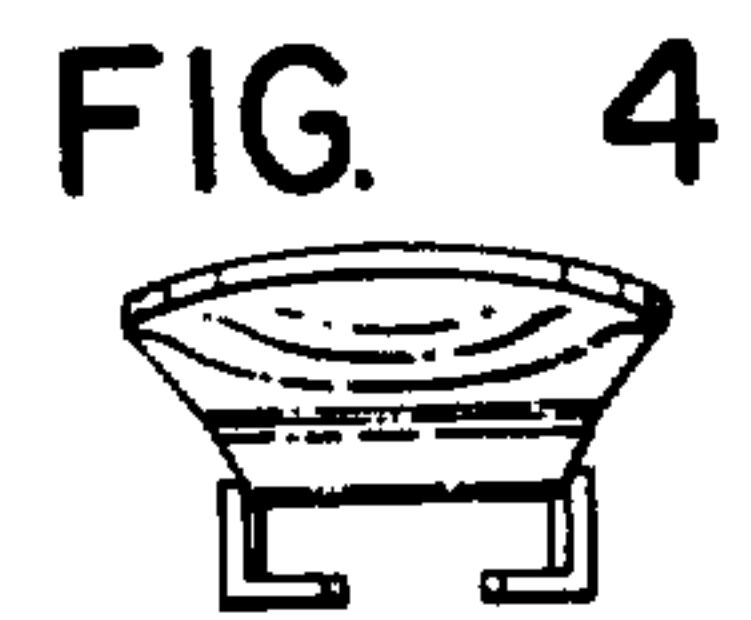


FIG. 4

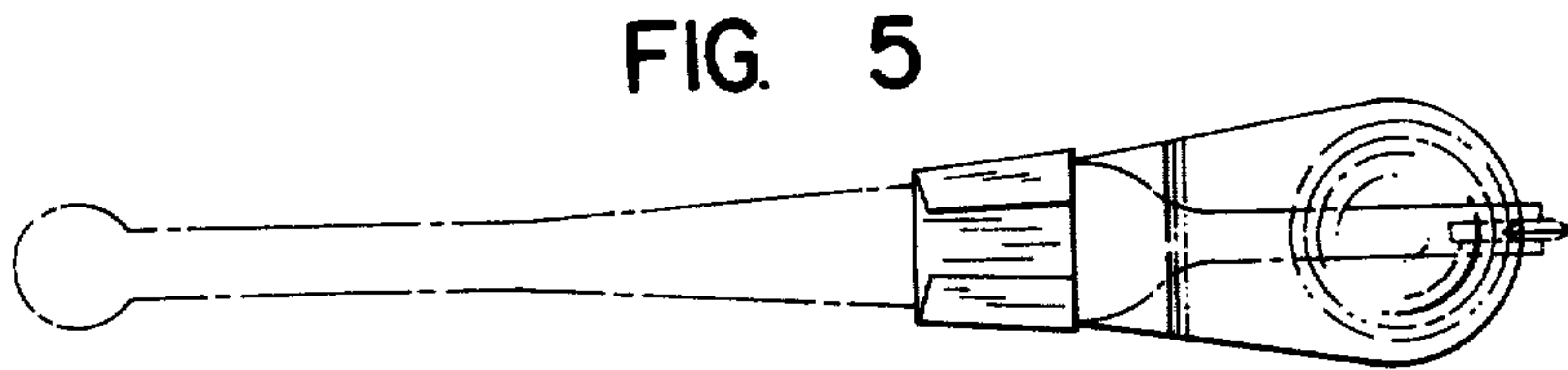


FIG. 5



FIG. 6