

[54] COMBINED LUNCH BOX AND RADIO

[76] Inventor: James D. Shaughnessy, R.R. #2, Kamloops, British Columbia, Canada

[**] Term: 14 Years

[21] Appl. No.: 226,744

[22] Filed: Jan. 21, 1981

[30] Foreign Application Priority Data

Oct. 31, 1980 [CA] Canada 31-10-80

[51] Int. Cl. D03-01

[52] U.S. Cl. D7/76; D14/69; D14/72

[58] Field of Search D3/72; D7/76, 77; D14/5, 70, 69, 72, 20

[56] References Cited

U.S. PATENT DOCUMENTS

D. 120,103 4/1940 Boor et al. D14/20
D. 209,372 11/1967 Schurman D3/72

D. 237,134 10/1975 Westmoreland D7/76
D. 243,860 3/1977 Simpson, Jr. D14/5
D. 263,015 2/1982 Loncasty D7/76
3,347,354 10/1967 West D7/76 X
4,279,342 7/1981 Van Pelt D7/76 X

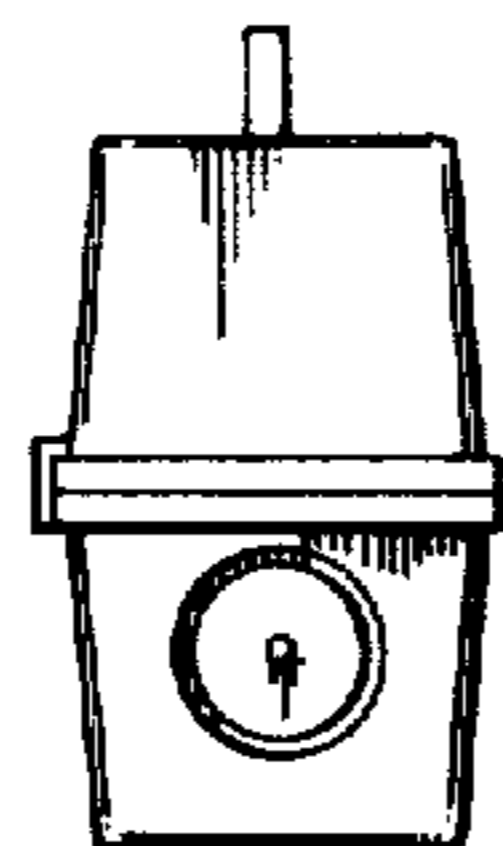
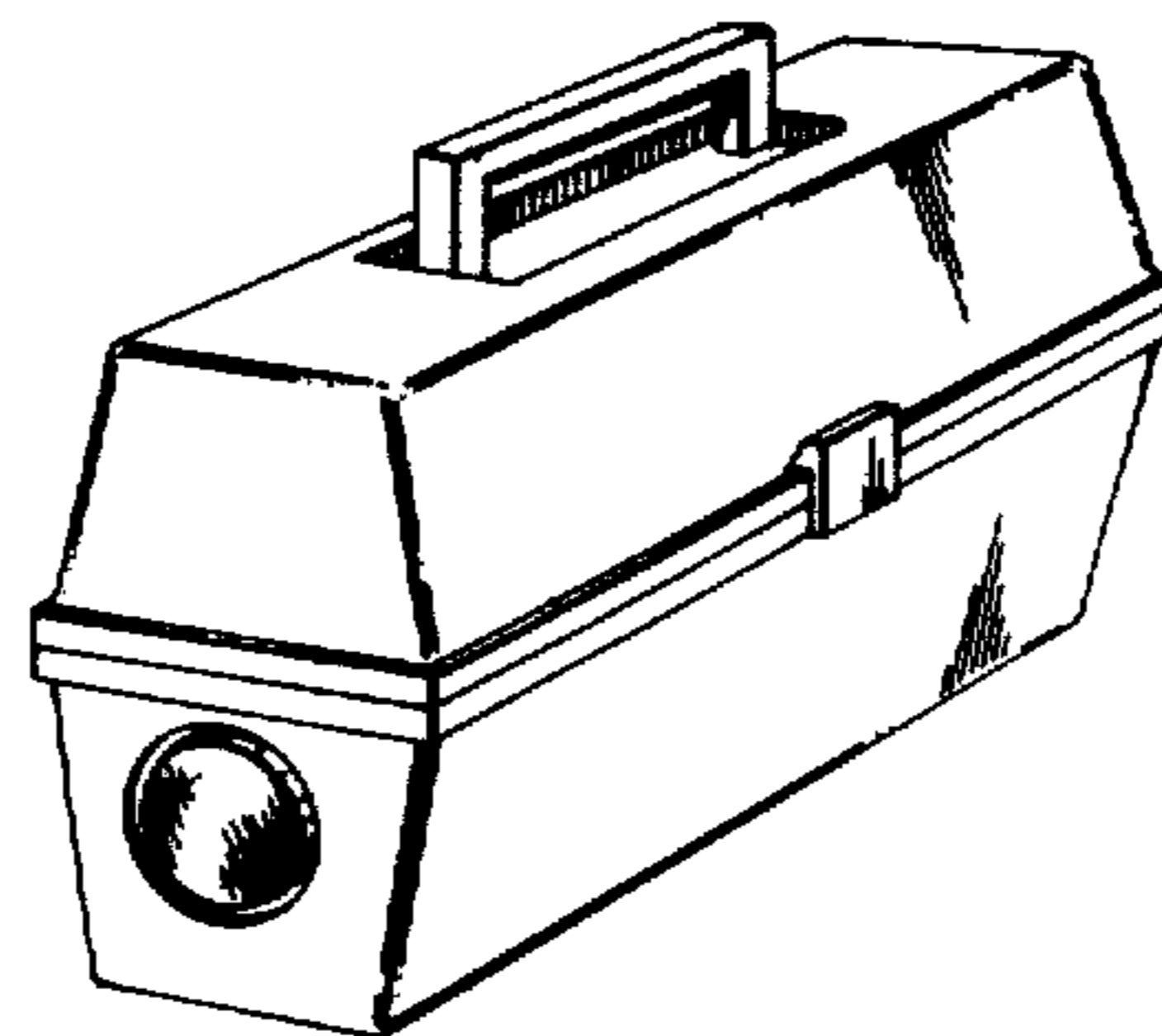
Primary Examiner—Winifred E. Herrmann
Attorney, Agent, or Firm—Frishauf, Holtz, Goodman & Woodward

[57] CLAIM

The ornamental design for a combined lunch box and radio, as shown.

DESCRIPTION

FIG. 1 is a front and left side perspective view of a combined lunch box and radio showing my new design; FIG. 2 is a top plan view thereof; FIG. 3 is a bottom plan view thereof; FIG. 4 is a right side elevational view thereof; FIG. 5 is a left side elevational view thereof; FIG. 6 is a rear elevational view thereof; and FIG. 7 is a front elevational view thereof.



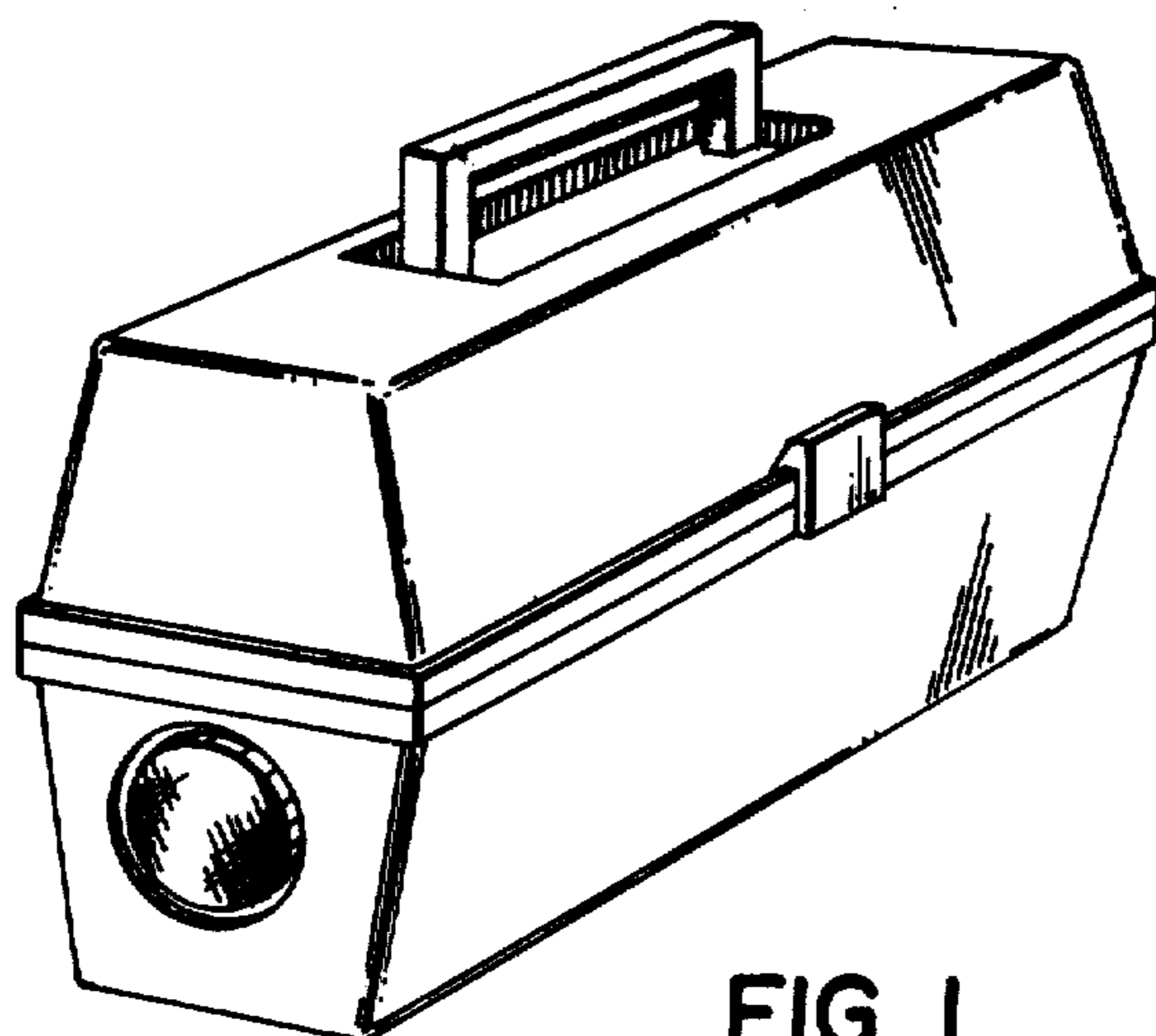


FIG. 1

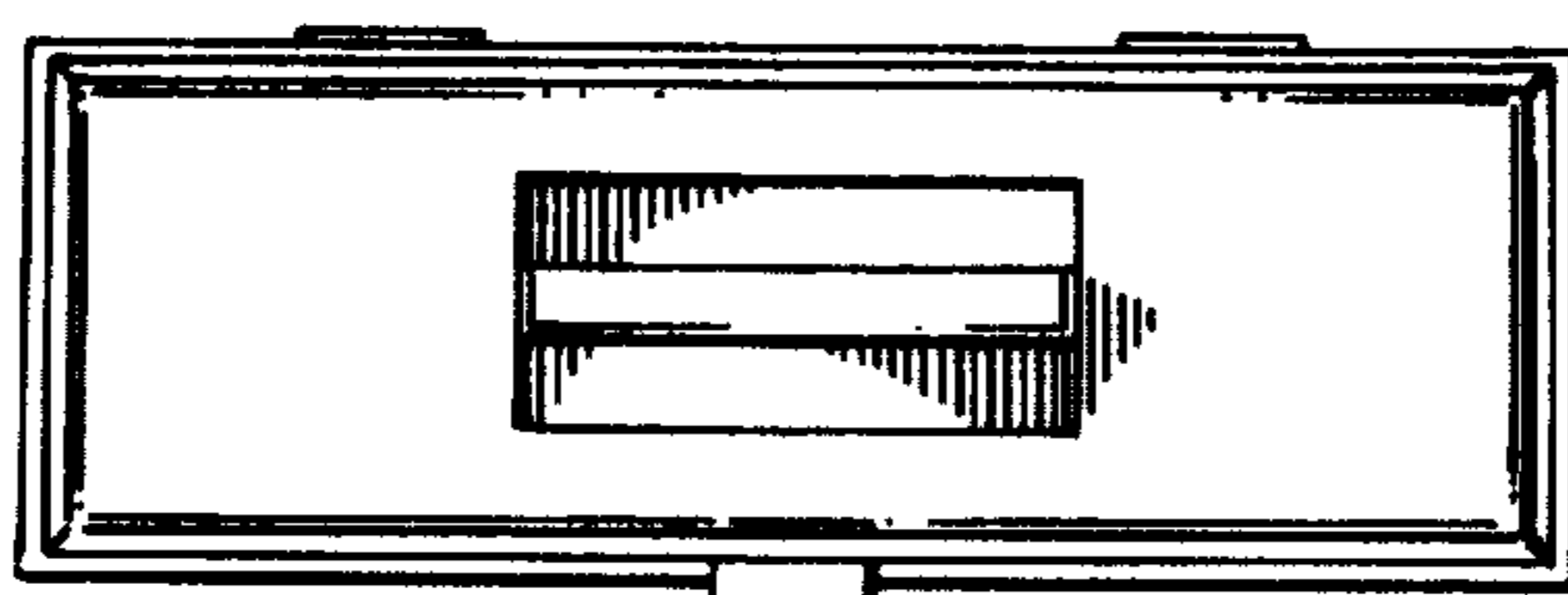


FIG. 2

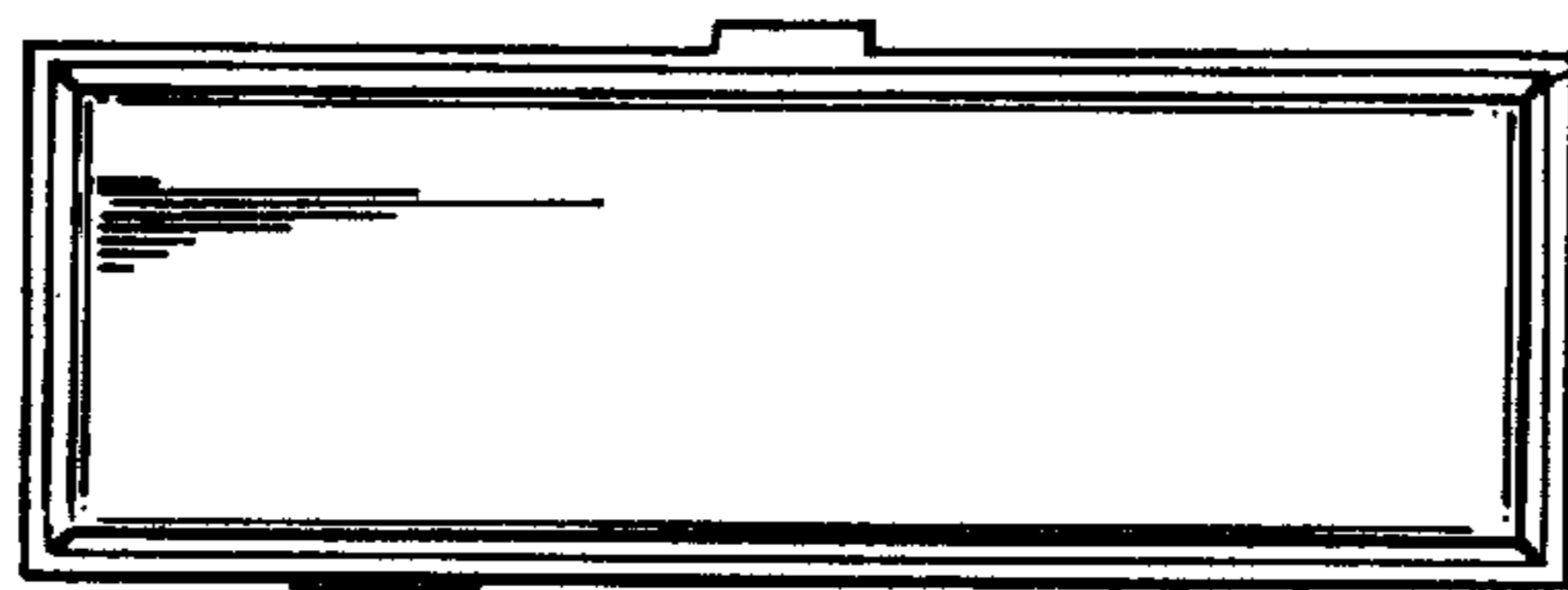


FIG. 3

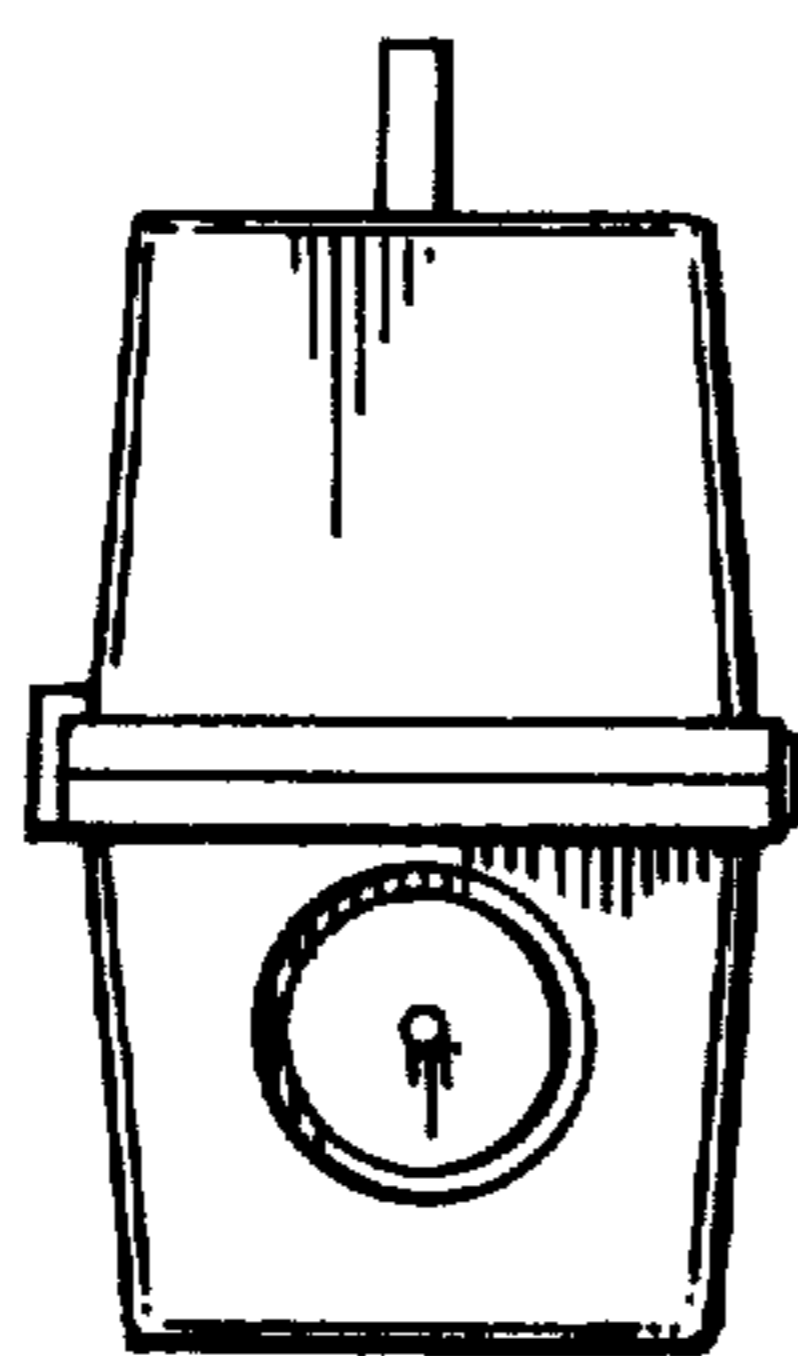


FIG. 4

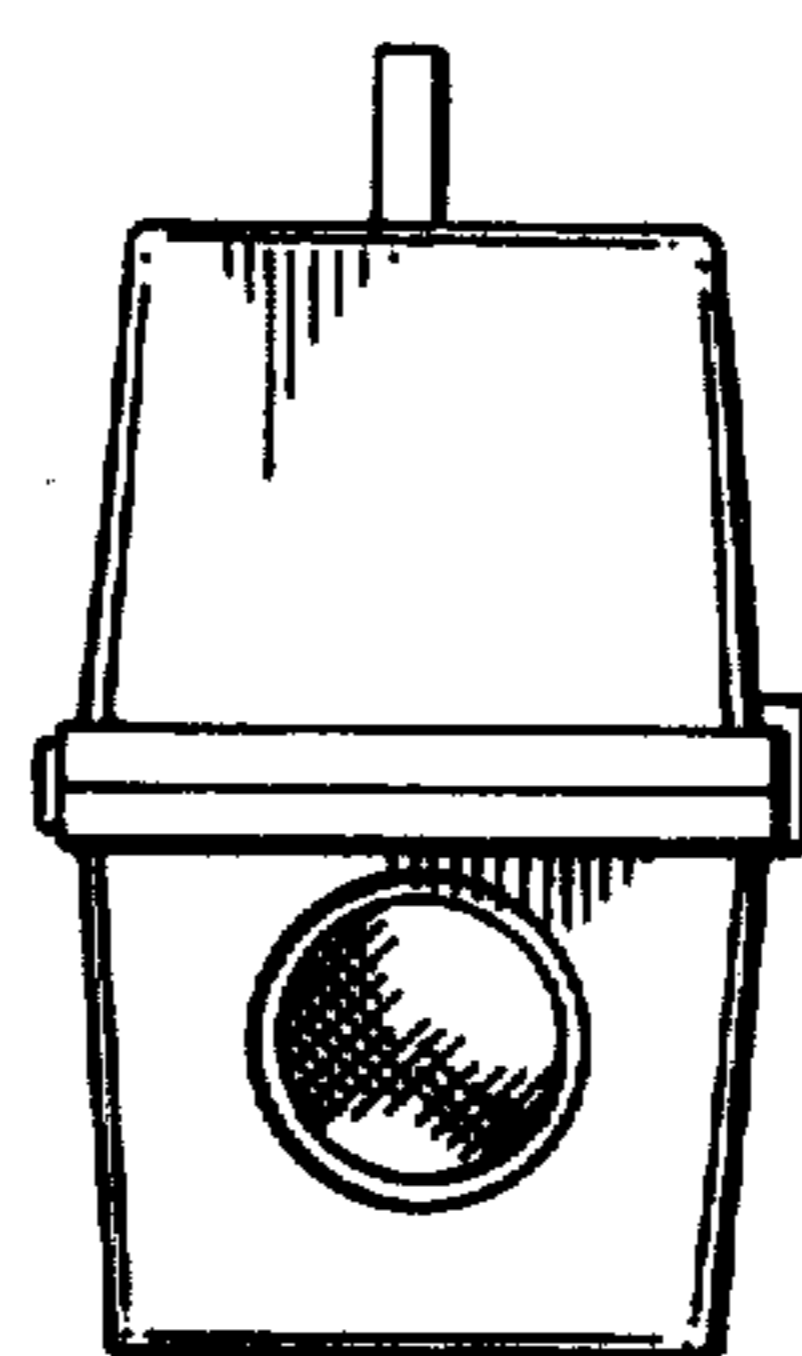


FIG. 5

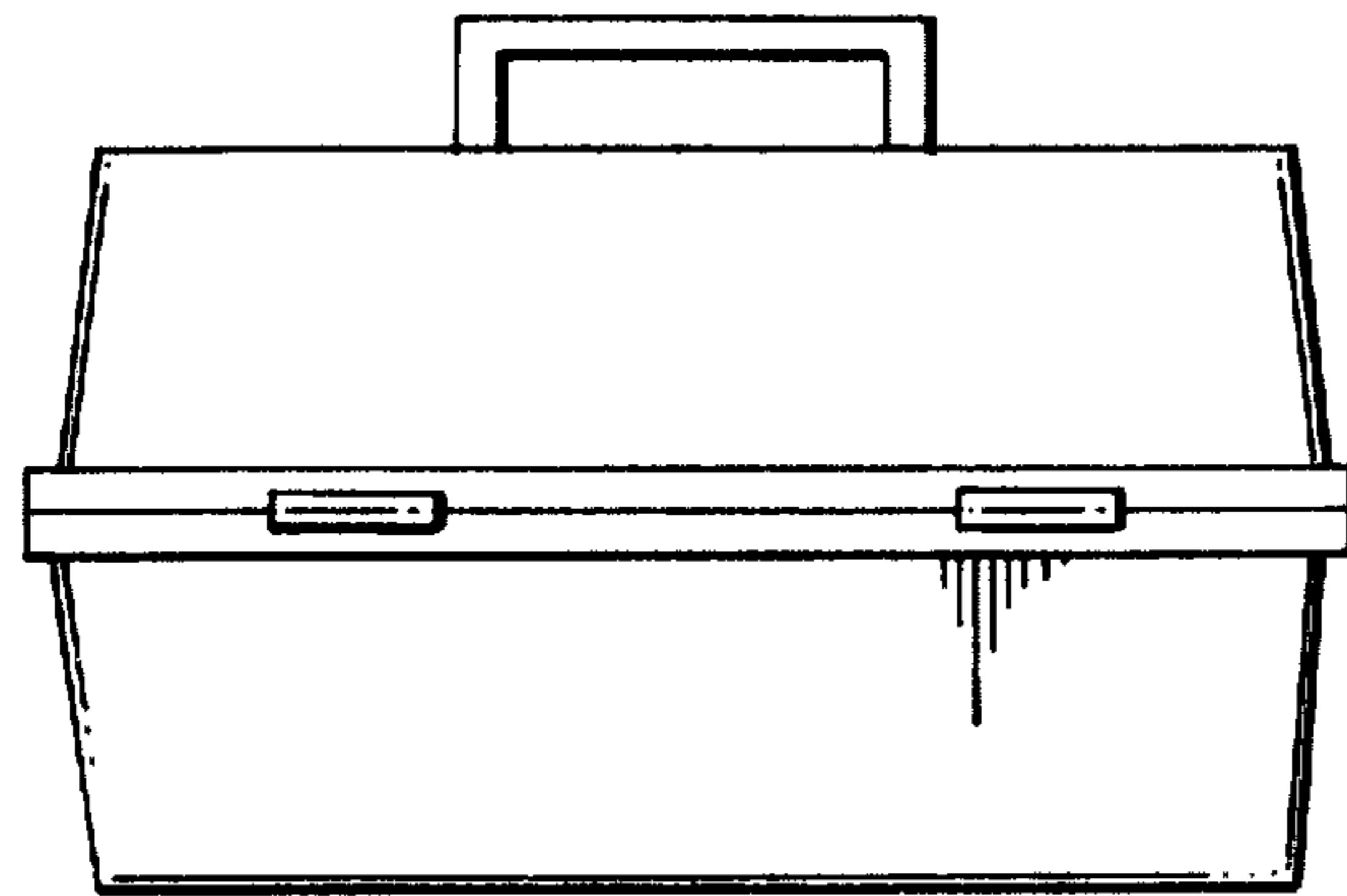


FIG. 6

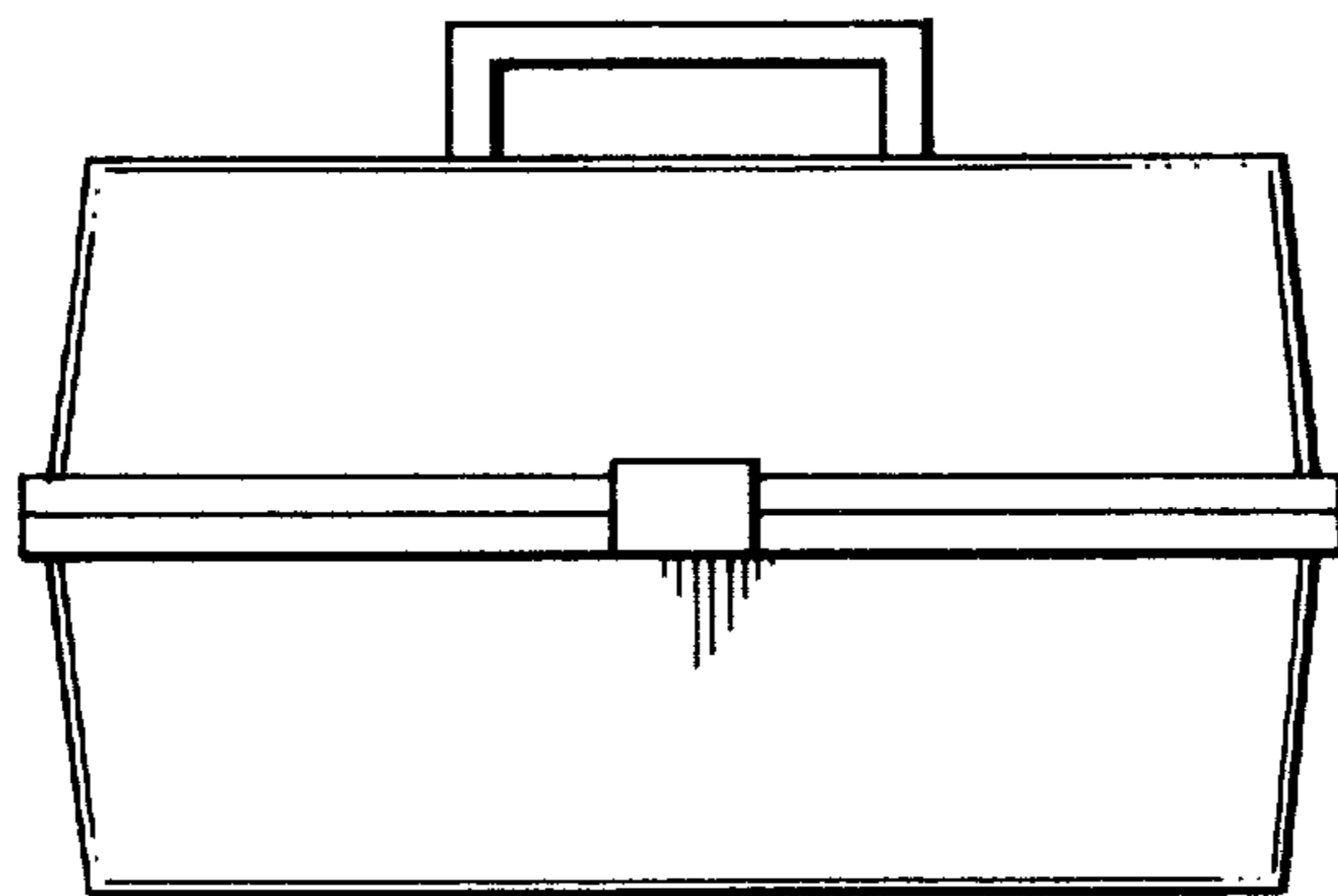


FIG. 7