

[54] **TABLE**

[75] Inventor: **Leon Rosen**, Scarsdale, N.Y.

[73] Assignee: **The Pace Collection, Inc.**, New York, N.Y.

[**] Term: **14 Years**

[21] Appl. No.: **119,482**

[22] Filed: **Feb. 7, 1980**

[51] Int. Cl. **D6-03**

[52] U.S. Cl. **D6/145**

[58] Field of Search **D6/145, 146-149, D6/175, 177**

[56] **References Cited**

U.S. PATENT DOCUMENTS

- D. 143,426 1/1946 Karp D6/145
- D. 253,624 12/1979 Browne D6/145

Primary Examiner—Bruce W. Dunkins
Attorney, Agent, or Firm—Darby & Darby

[57] **CLAIM**

The ornamental design for a table as shown and described.

DESCRIPTION

FIG. 1 is a perspective view of a table made of stone material such as onyx showing my new design; FIG. 2 is a front view thereof; FIG. 3 is a top plan view thereof; FIG. 4 is a side view, the opposite side being a mirror image thereof; FIG. 5 is a rear view thereof; and FIG. 6 is a bottom view.

It is characteristic of the new design that the table is formed from three relatively thick slabs having flat, substantially smooth surfaces connected with invisible joints and having sharp corners wherever the surfaces of two different slabs intersect, thereby providing continuous inner and outer surfaces of the table, the visual impression being that the table is hewn from a solid block of material.

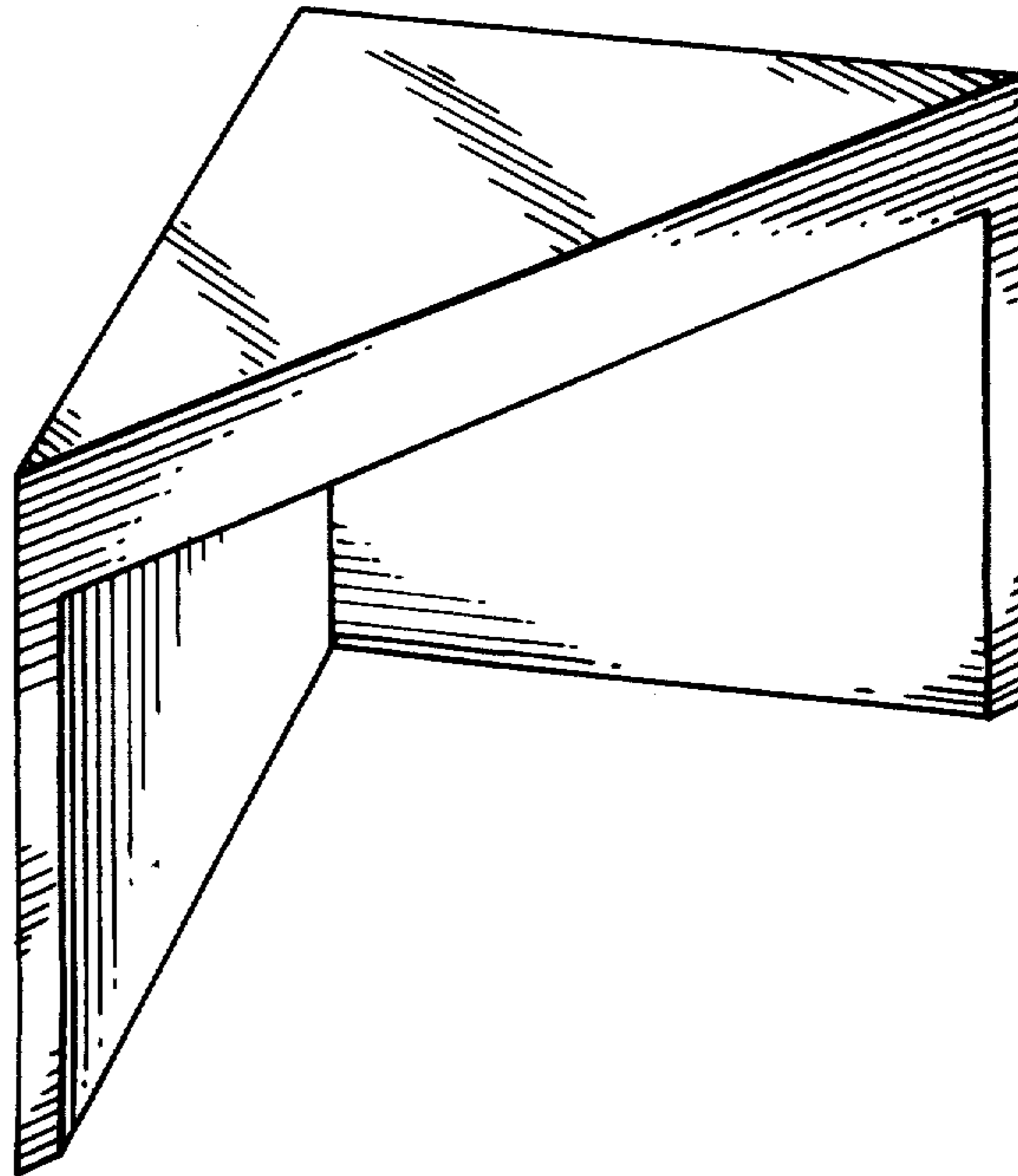


FIG. 1

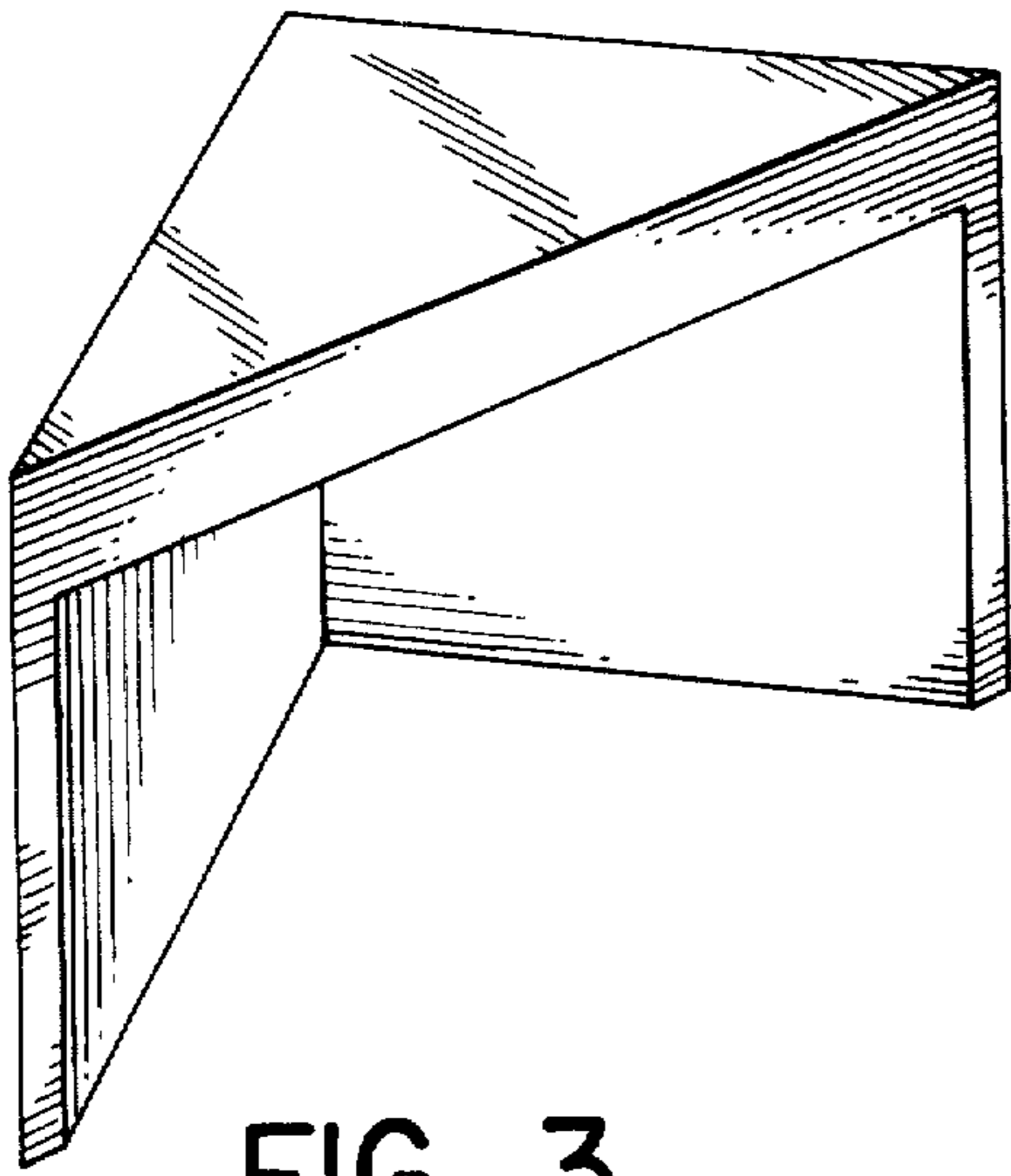


FIG. 2

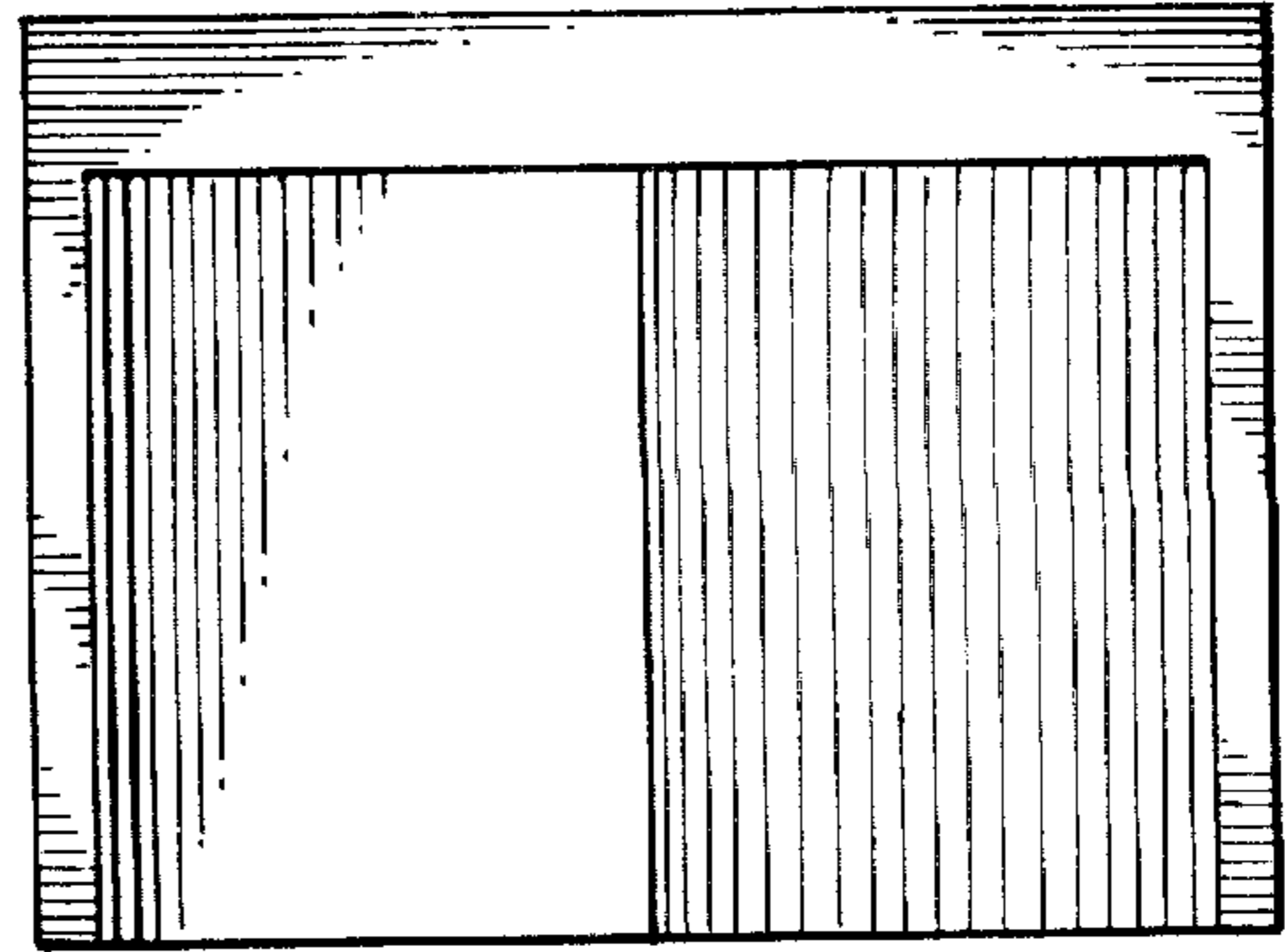


FIG. 3

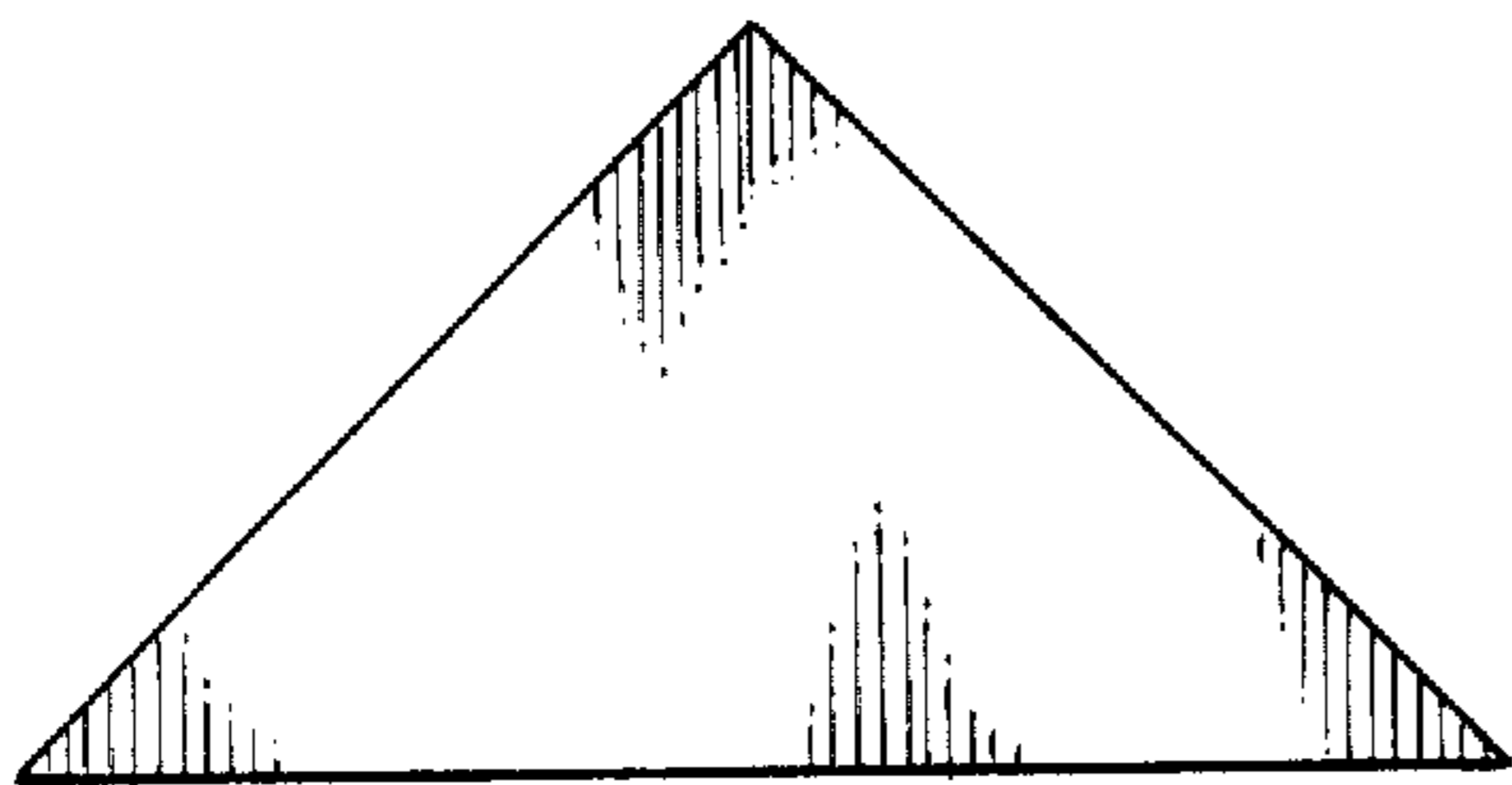


FIG. 4

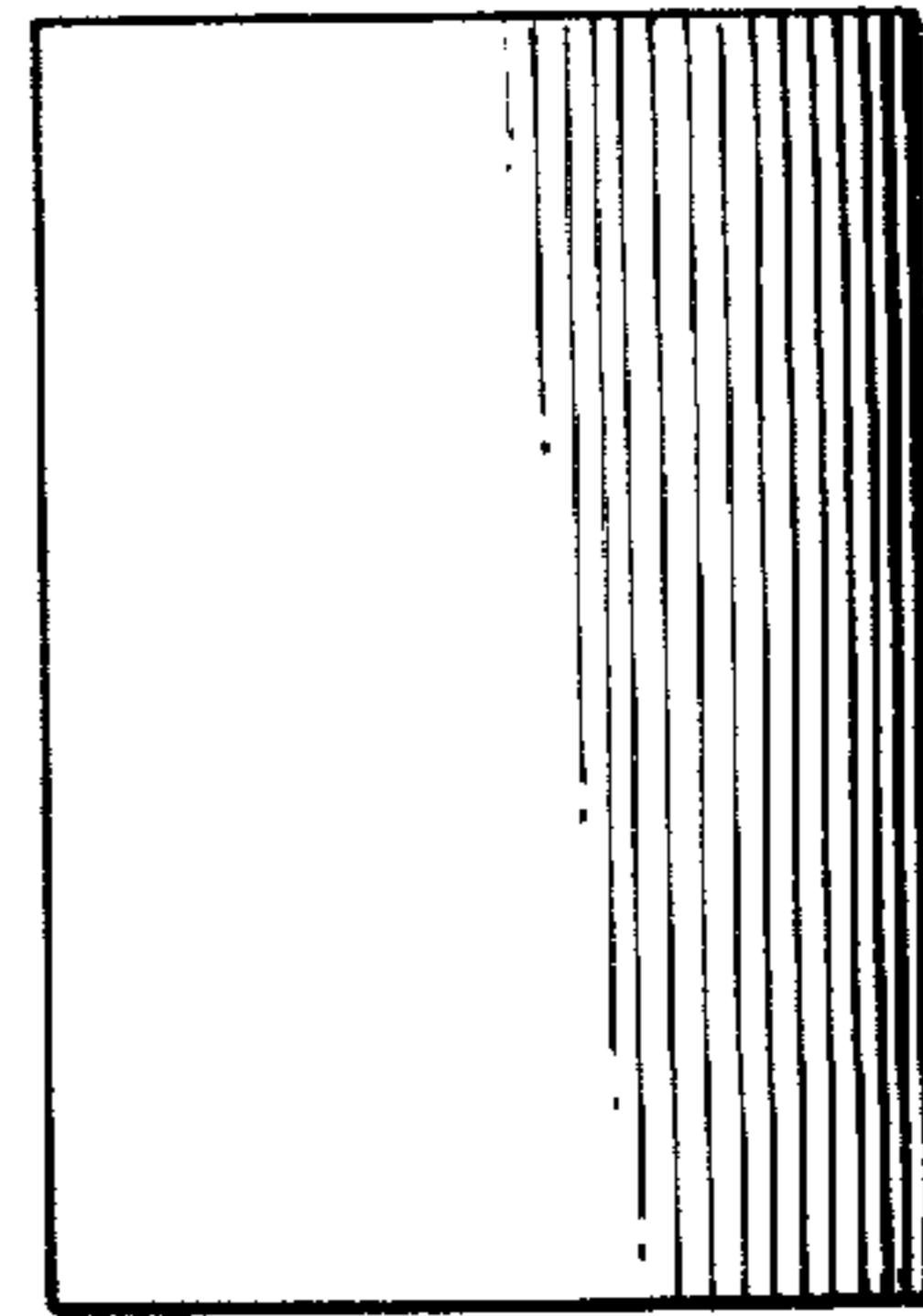


FIG. 5

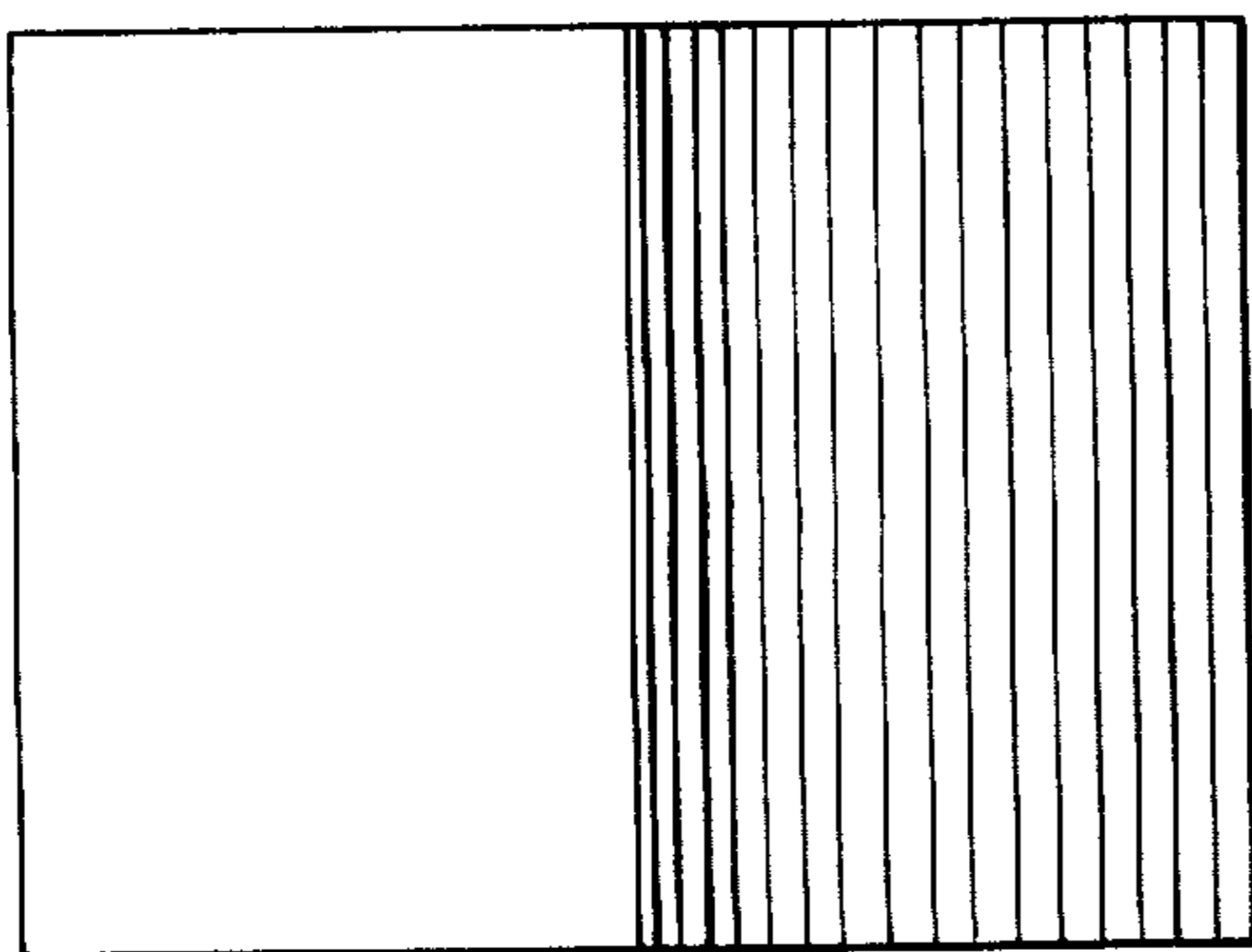


FIG. 6

