

[54] COMBINED APERTURED BOARD AND STORAGE ELEMENTS THEREFOR

[75] Inventors: Lawrence Peabody, New York; Theodore W. Schriever, Syracuse; Stephen K. Wenczl, Fayetteville, all of N.Y.

[73] Assignee: Syroco, Inc., N.Y.

[**] Term: 14 Years

[21] Appl. No.: 169,016

[22] Filed: Jul. 15, 1980

[51] Int. Cl. D6-04

[52] U.S. Cl. D6/125; D6/96; D6/130; D6/136

[58] Field of Search D6/86, 91, 96, 97, 114, D6/125, 132, 136; D25/88, 90; 211/87, 88, 90, 60 R, 60 T; 248/220.2, 220.3, 222.2, 222.3, 221.2, 223.3; 108/152, 29; 242/55.2, 55.3, 55.53, 55.54, 55.55, 55.42; 312/39, 40, 41, 38, 37

[56] References Cited

U.S. PATENT DOCUMENTS

D. 242,098	11/1976	Leopold	D6/131
824,150	6/1906	De Saint Chamas	211/90
2,028,694	1/1936	Spinks	D6/94
3,014,597	12/1961	McWherter	D25/90

3,310,271	3/1967	King	248/221.2
4,234,094	11/1980	Jorgensen	211/88

FOREIGN PATENT DOCUMENTS

449096	6/1948	Canada	242/55.53
--------	--------	--------	-------	-----------

OTHER PUBLICATIONS

Bloomington's "Living Quarters" Cat. p. 9; combined towel holder/shelf 9B.

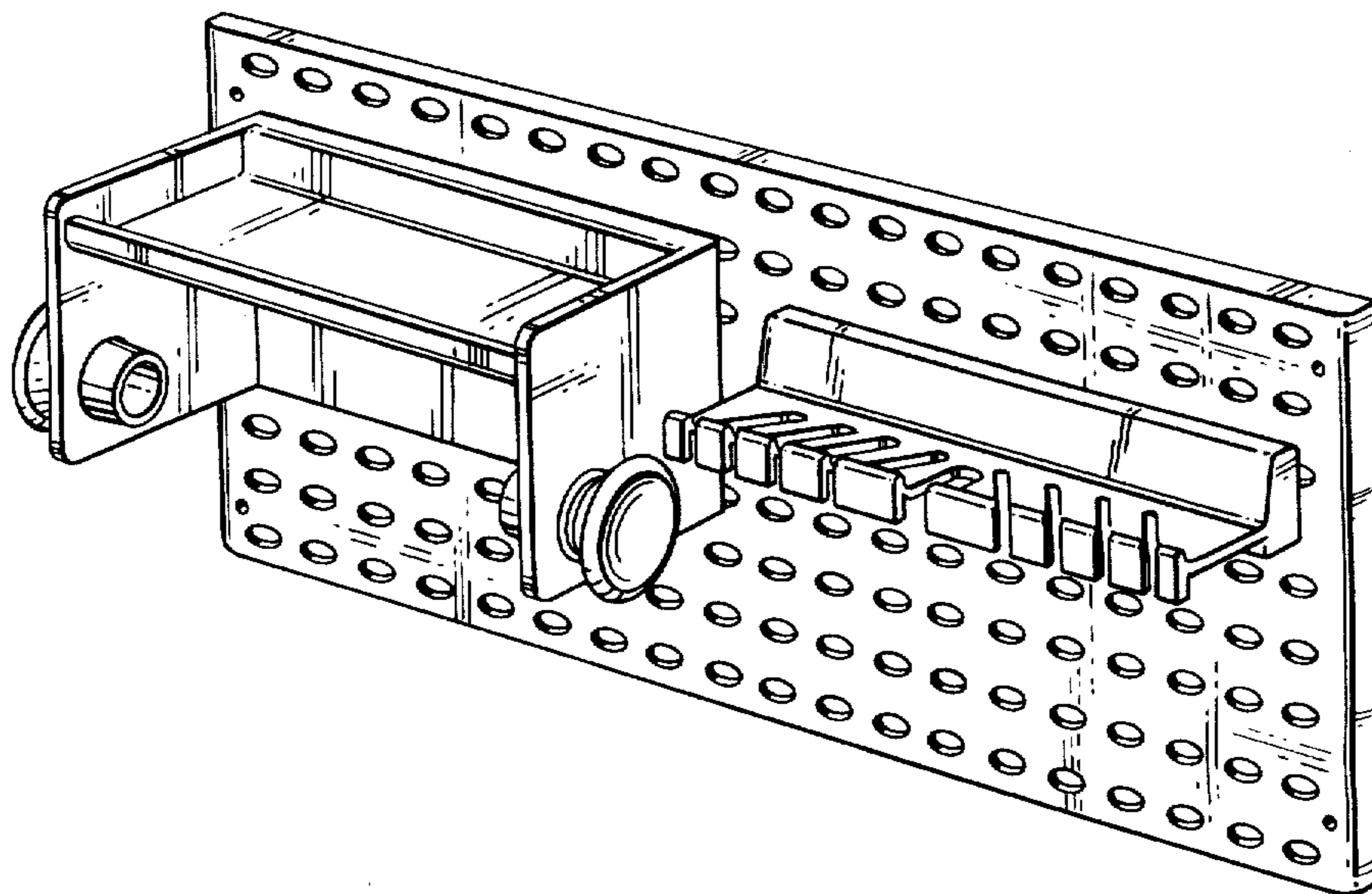
Primary Examiner—B. J. Bullock
Attorney, Agent, or Firm—Stanley R. Moore; Thomas L. Crisman

[57] CLAIM

The ornamental design for a combined apertured board and storage elements, therefor substantially as shown.

DESCRIPTION

FIG. 1 is a front perspective view of a combined apertured board and storage elements therefor showing our new design;
FIG. 2 is a top plan view;
FIG. 3 is a side elevational view taken from the left of FIG. 1;
FIG. 4 is a front elevational view;
FIG. 5 is a side elevational view taken from the right of FIG. 1;
FIG. 6 is a bottom plan view; and,
FIG. 7 is a back elevational view.



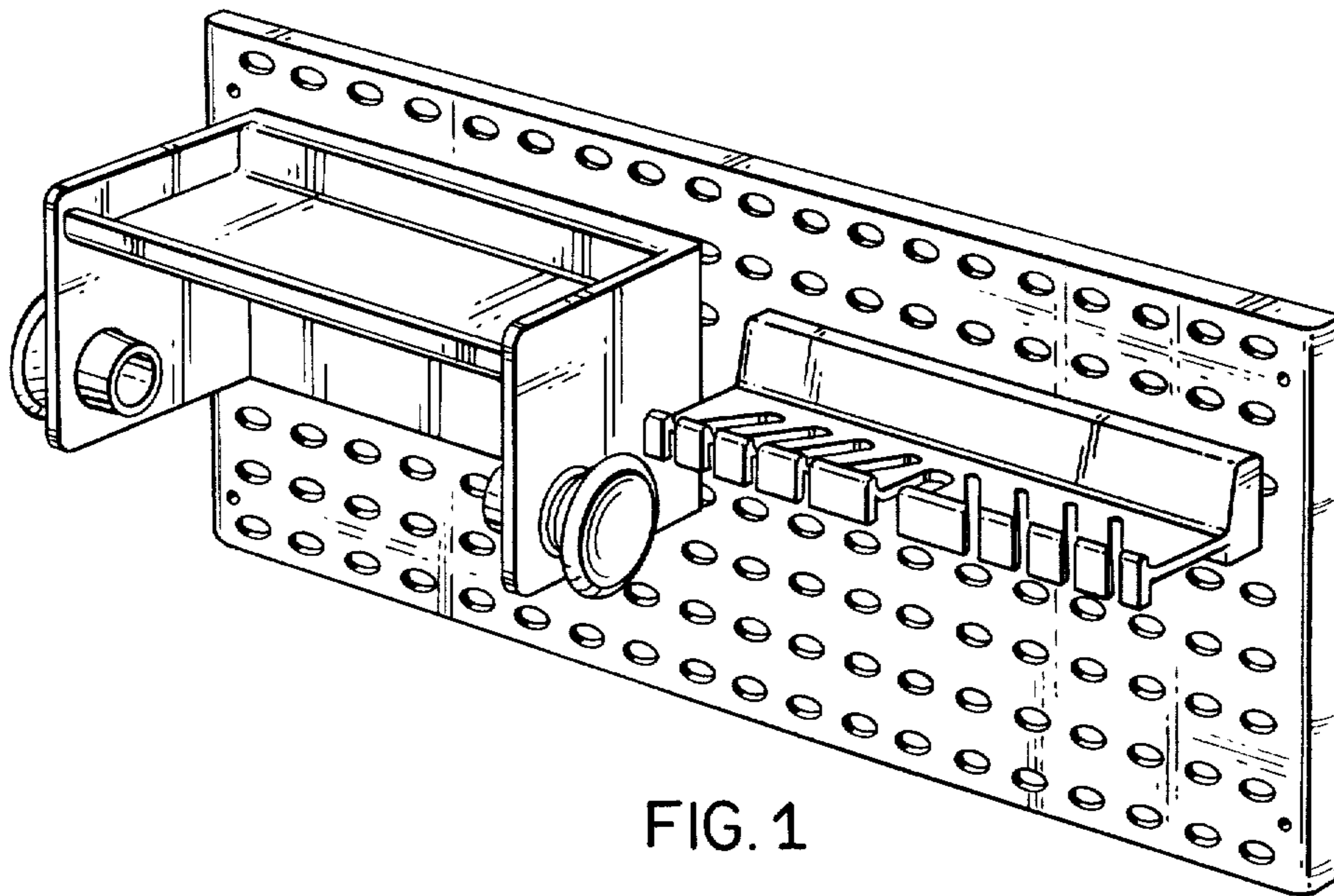


FIG. 1

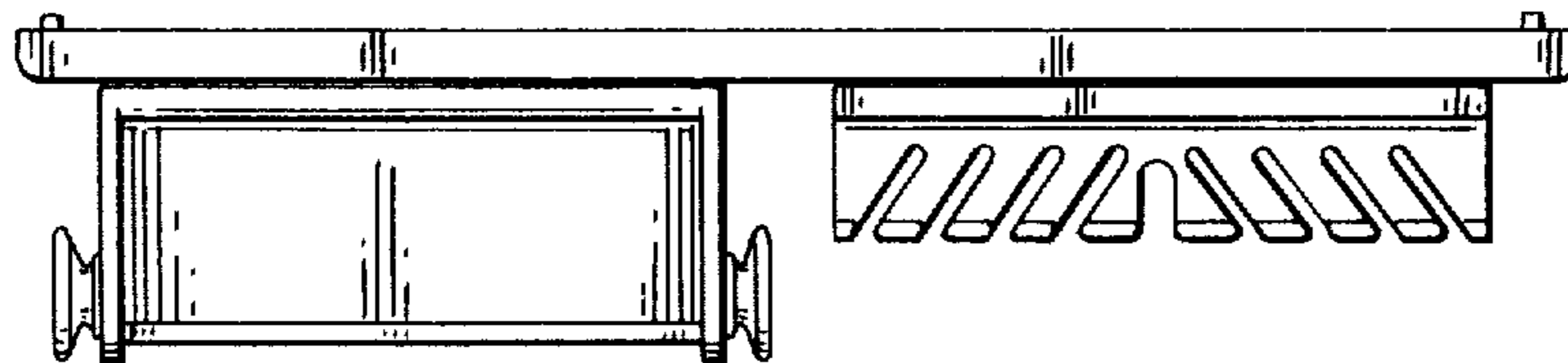


FIG. 2

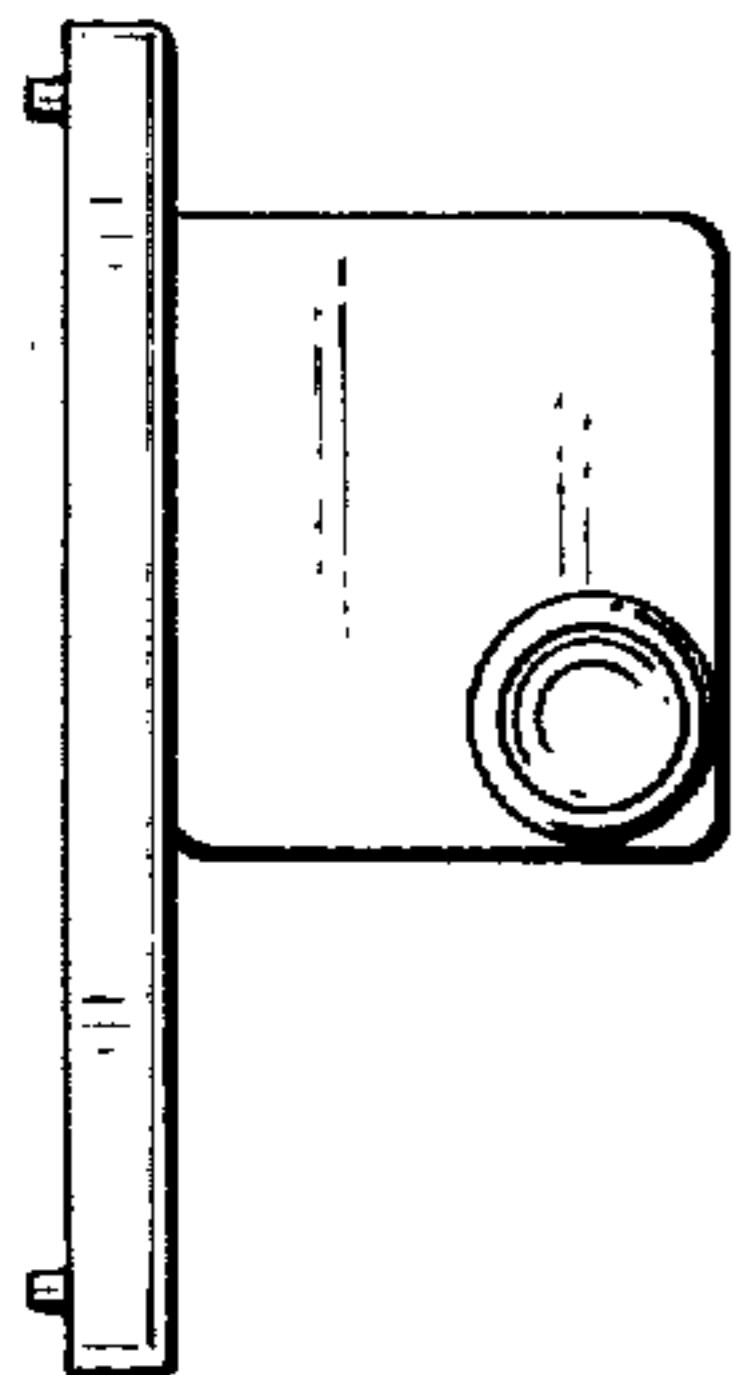


FIG. 3

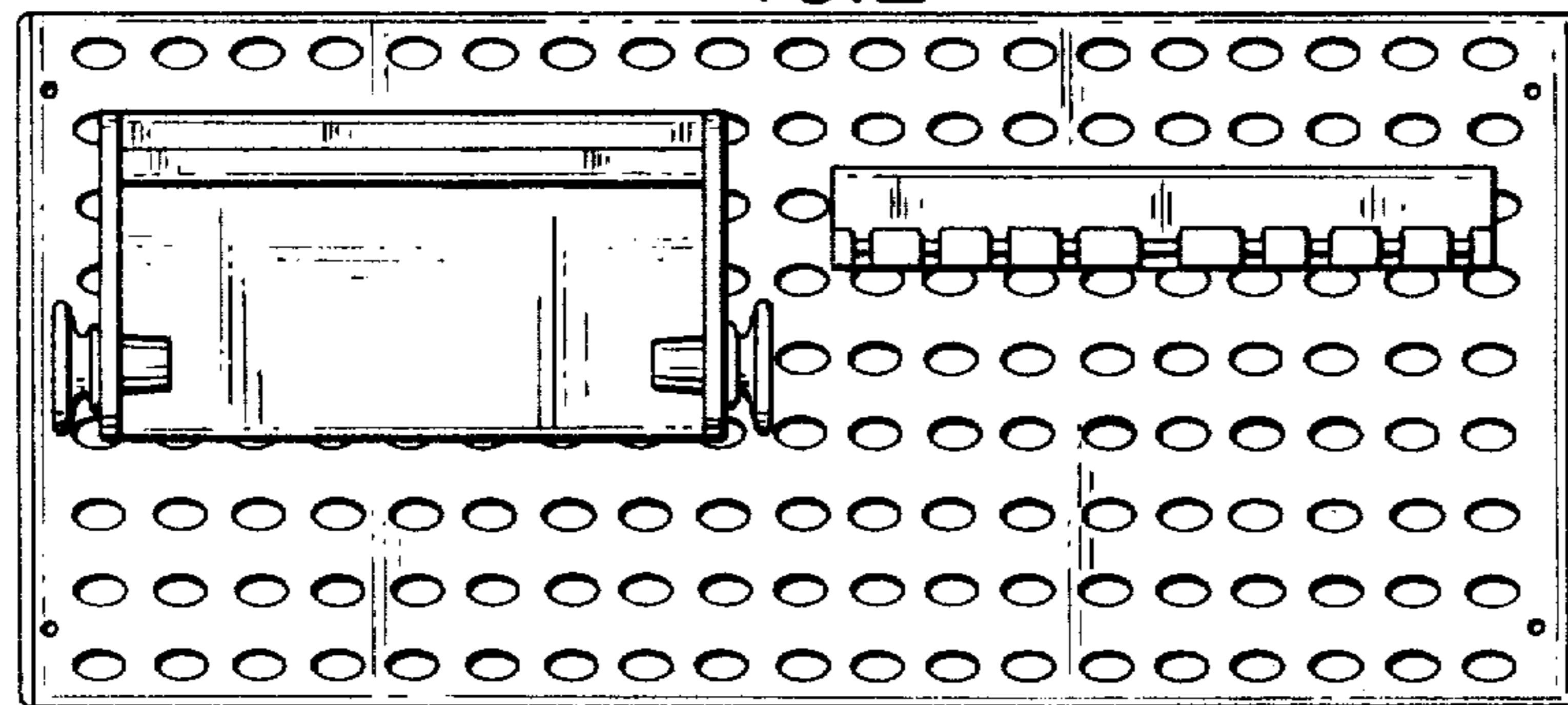


FIG. 4

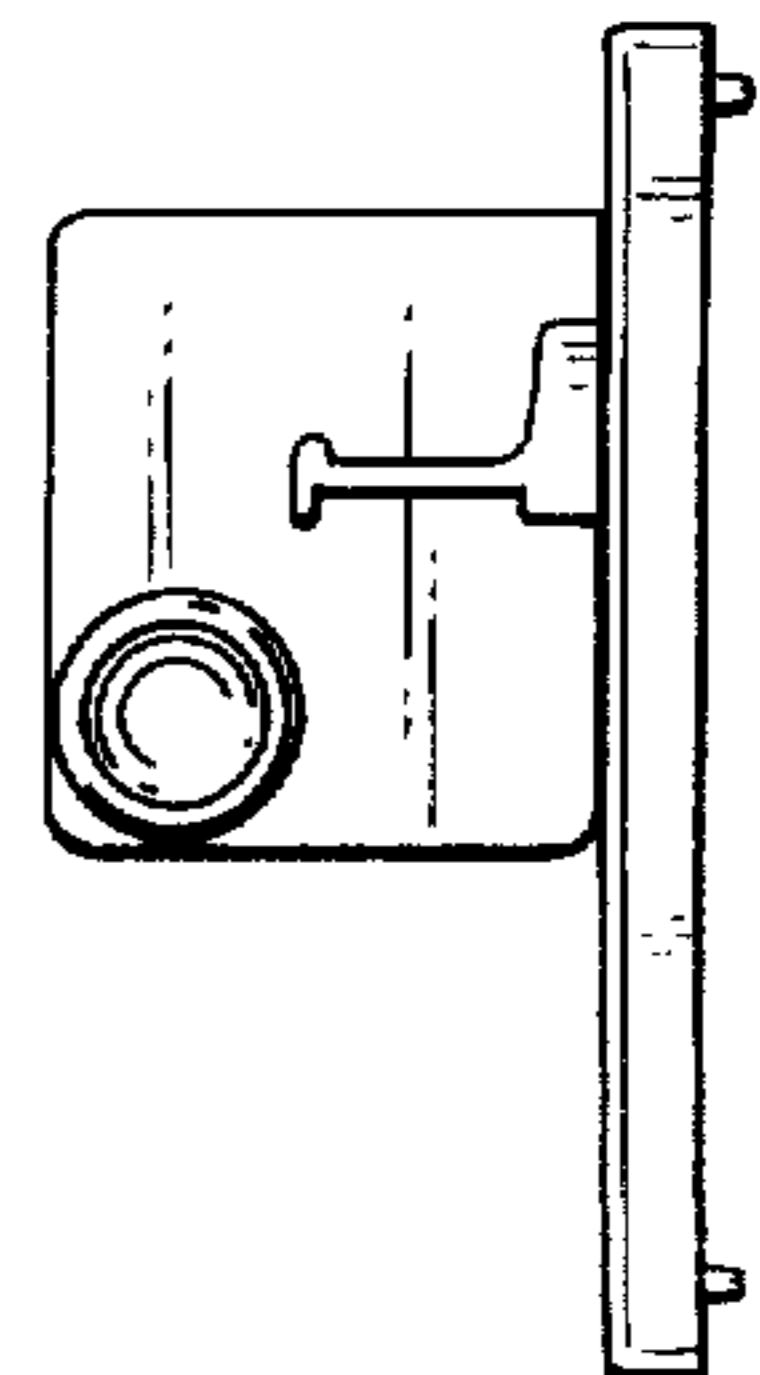


FIG. 5

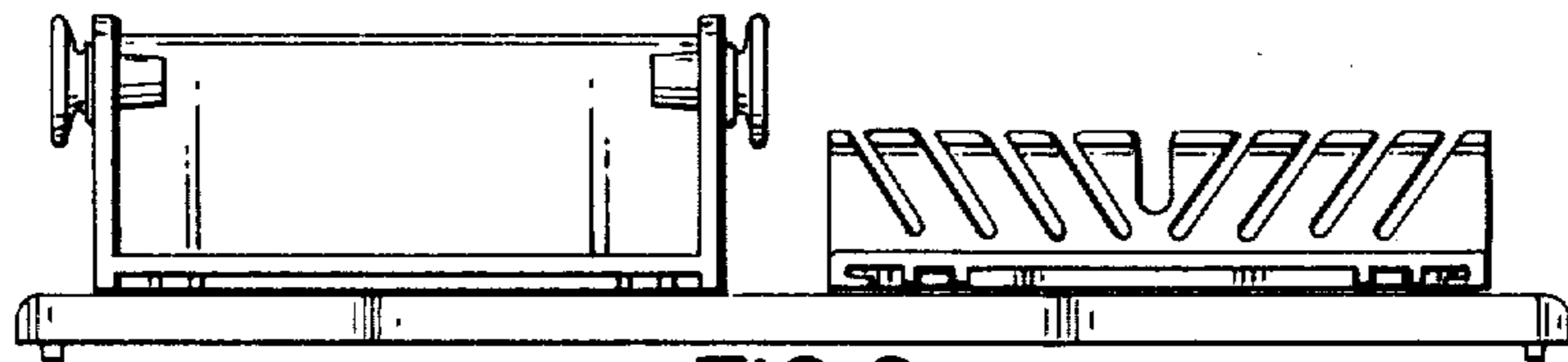


FIG. 6

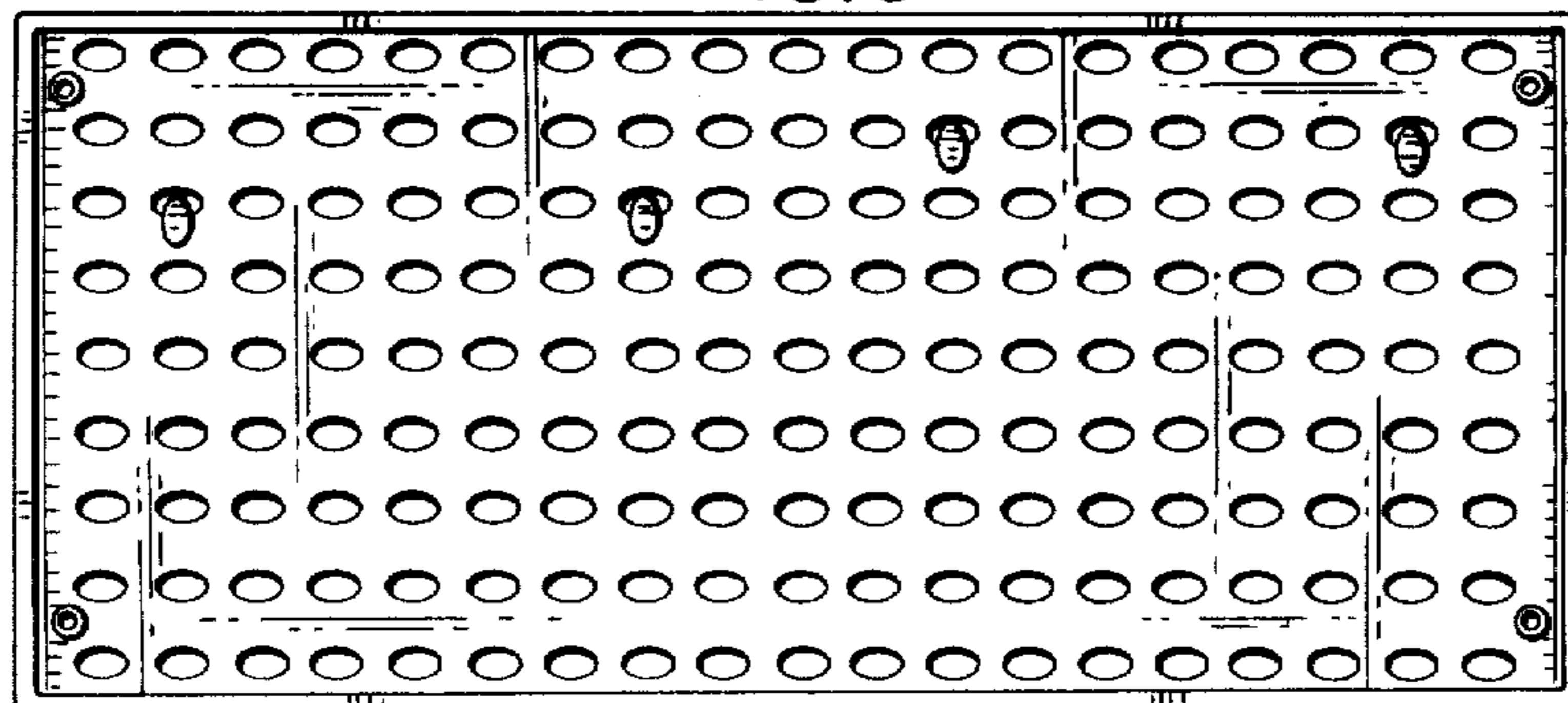


FIG. 7