

[54] COMBINED STORAGE AND CARRYING CASE FOR CASSETTES

[76] Inventor: Kenneth A. Dishell, 26721 Carol, Franklin, Mich. 48025

[**] Term: 14 Years

[21] Appl. No.: 972,145

[22] Filed: Dec. 21, 1978

[51] Int. Cl. D3-02

[52] U.S. Cl. D3/35; D3/73; D3/74

[58] Field of Search D3/30, 35, 33, 73, 74; D6/188, 189; 206/387, 351

[56] References Cited

U.S. PATENT DOCUMENTS

D. 212,316	9/1968	Larkin	D3/35
D. 212,794	11/1968	Dilyard	D3/35
D. 220,989	6/1971	Di Ioia	D3/35
D. 250,433	11/1978	Malcolm	D3/73

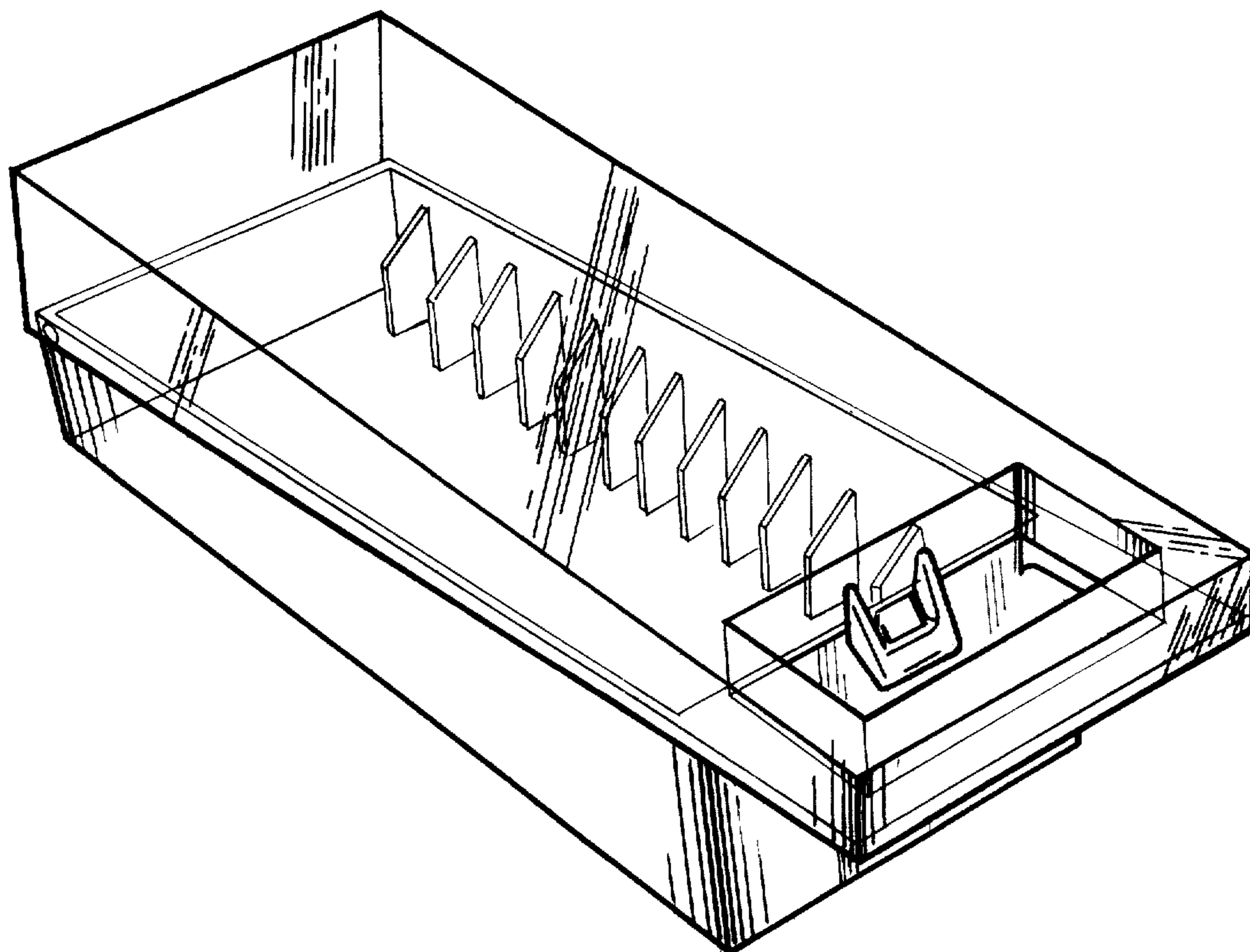
Primary Examiner—George P. Word
Attorney, Agent, or Firm—Krass, Young & Schivley

[57] CLAIM

The ornamental design for a combined storage and carrying case for cassettes, as shown and described.

DESCRIPTION

FIG. 1 is a perspective view of a combined storage and carrying case for cassettes showing my new design; FIG. 2 is a top plan view; FIG. 3 is a left side elevational view; FIG. 4 is a bottom plan view; FIG. 5 is a rear elevational view; FIG. 6 is a front elevational view; FIG. 7 is a perspective view of an alternative embodiment of the combined storage and carrying case for cassettes; FIG. 8 is a top plan view thereof; FIG. 9 is a left side elevational view thereof; FIG. 10 is a bottom plan view thereof; FIG. 11 is a rear elevational view thereof; and FIG. 12 is a front elevational view thereof.



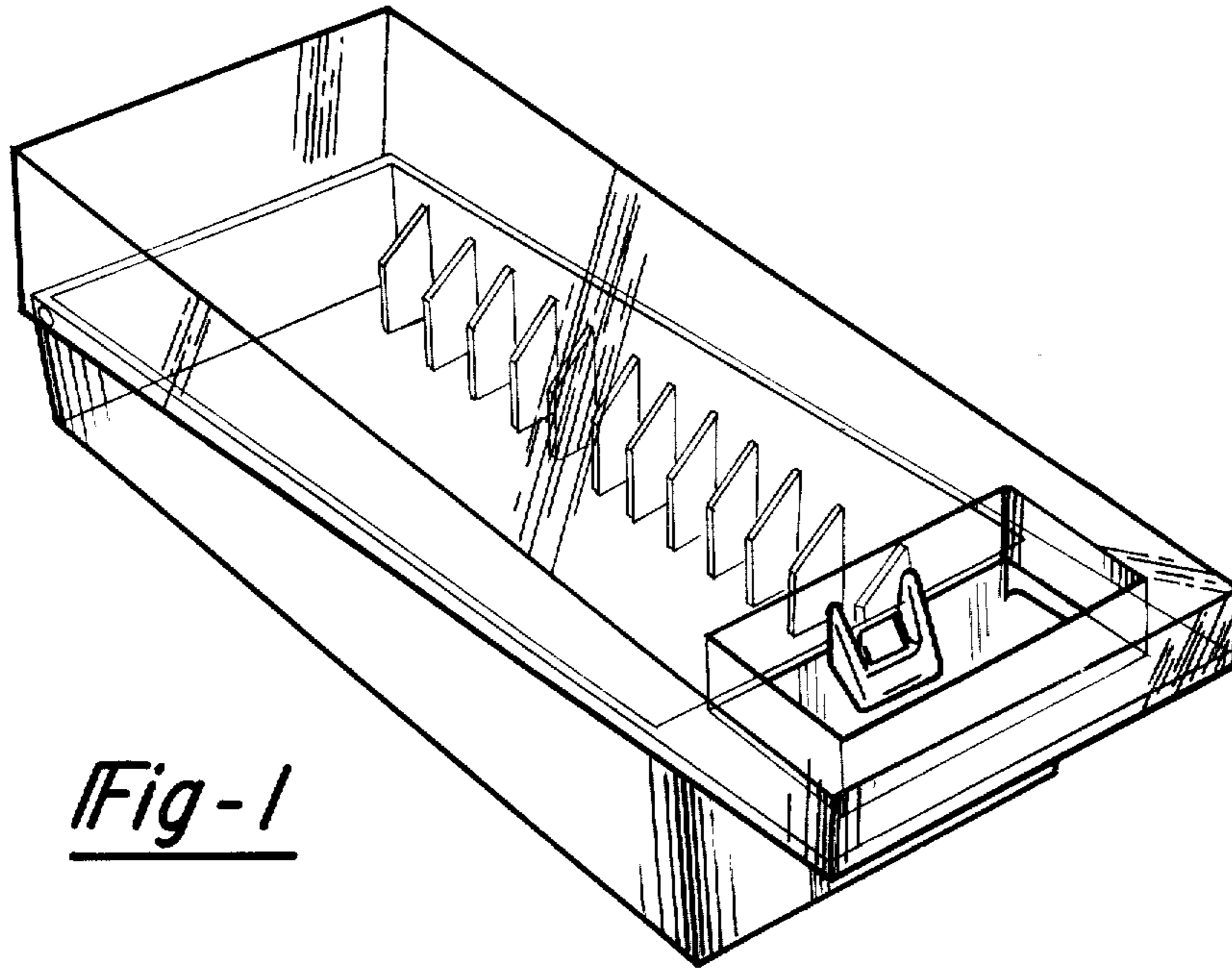


Fig-1

Fig-2

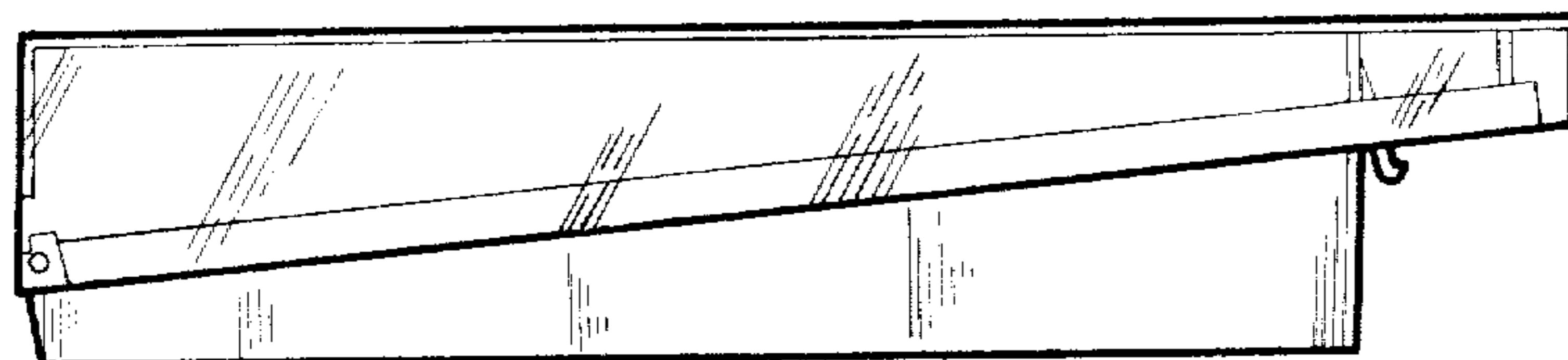
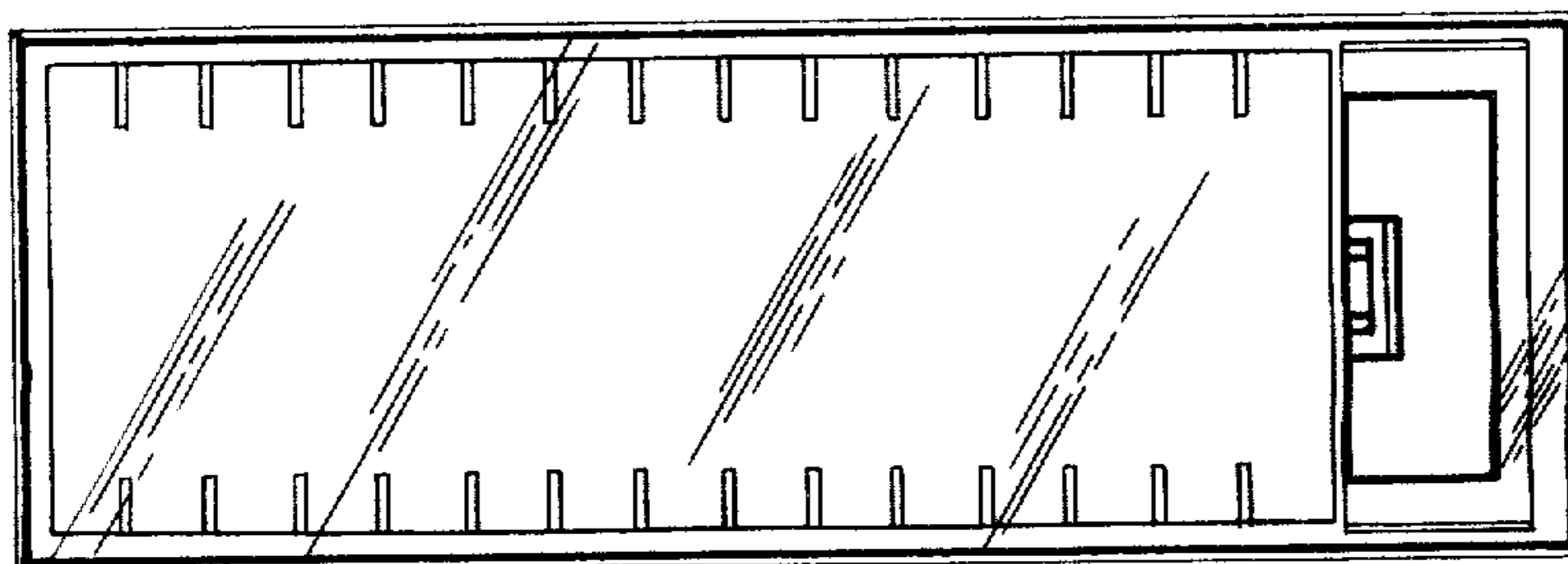


Fig-3

Fig-4

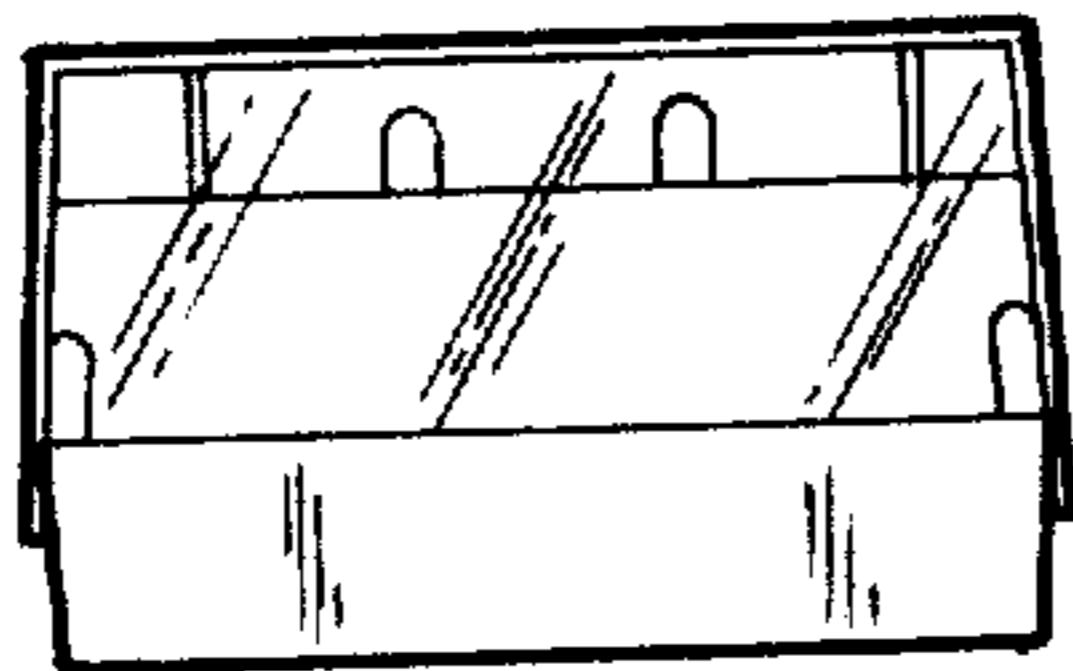
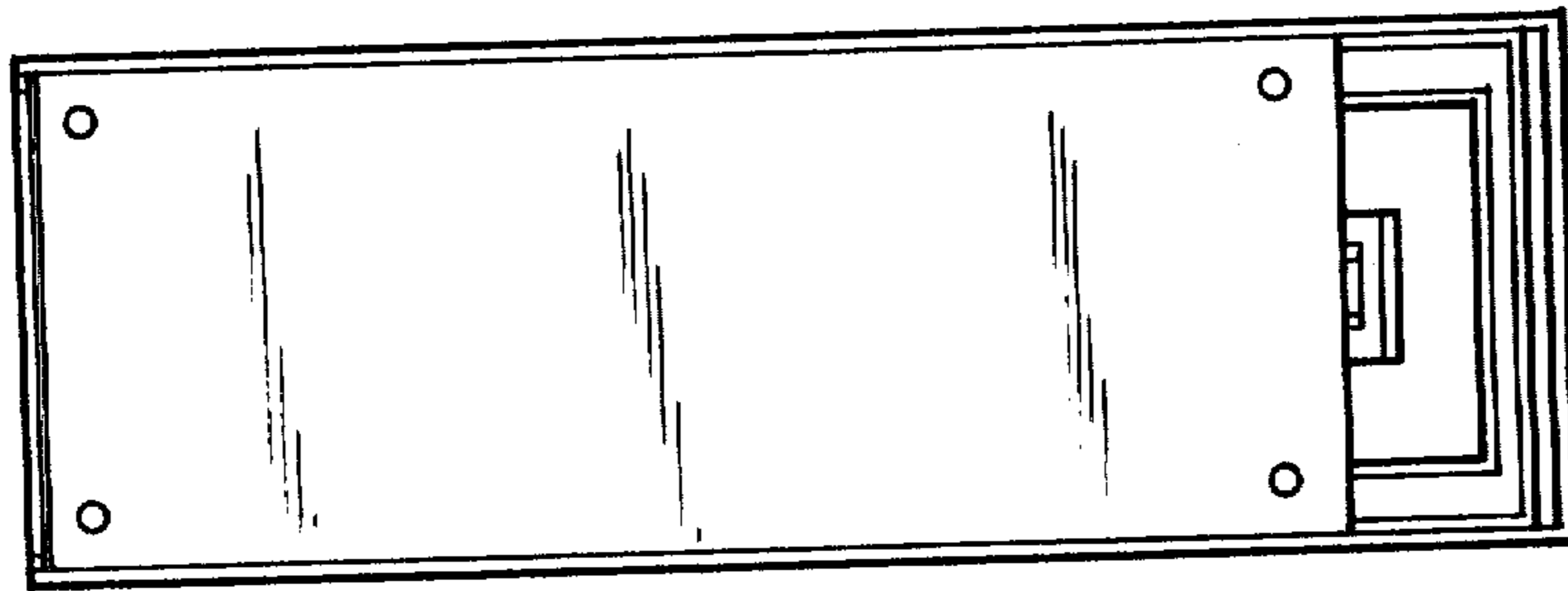


Fig-5

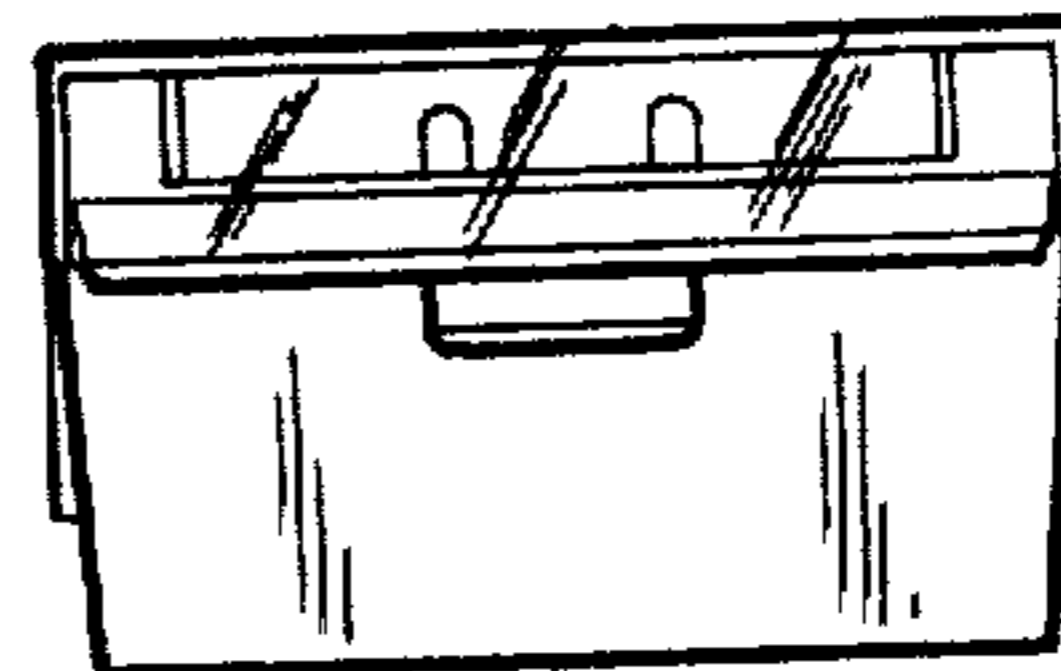


Fig-6

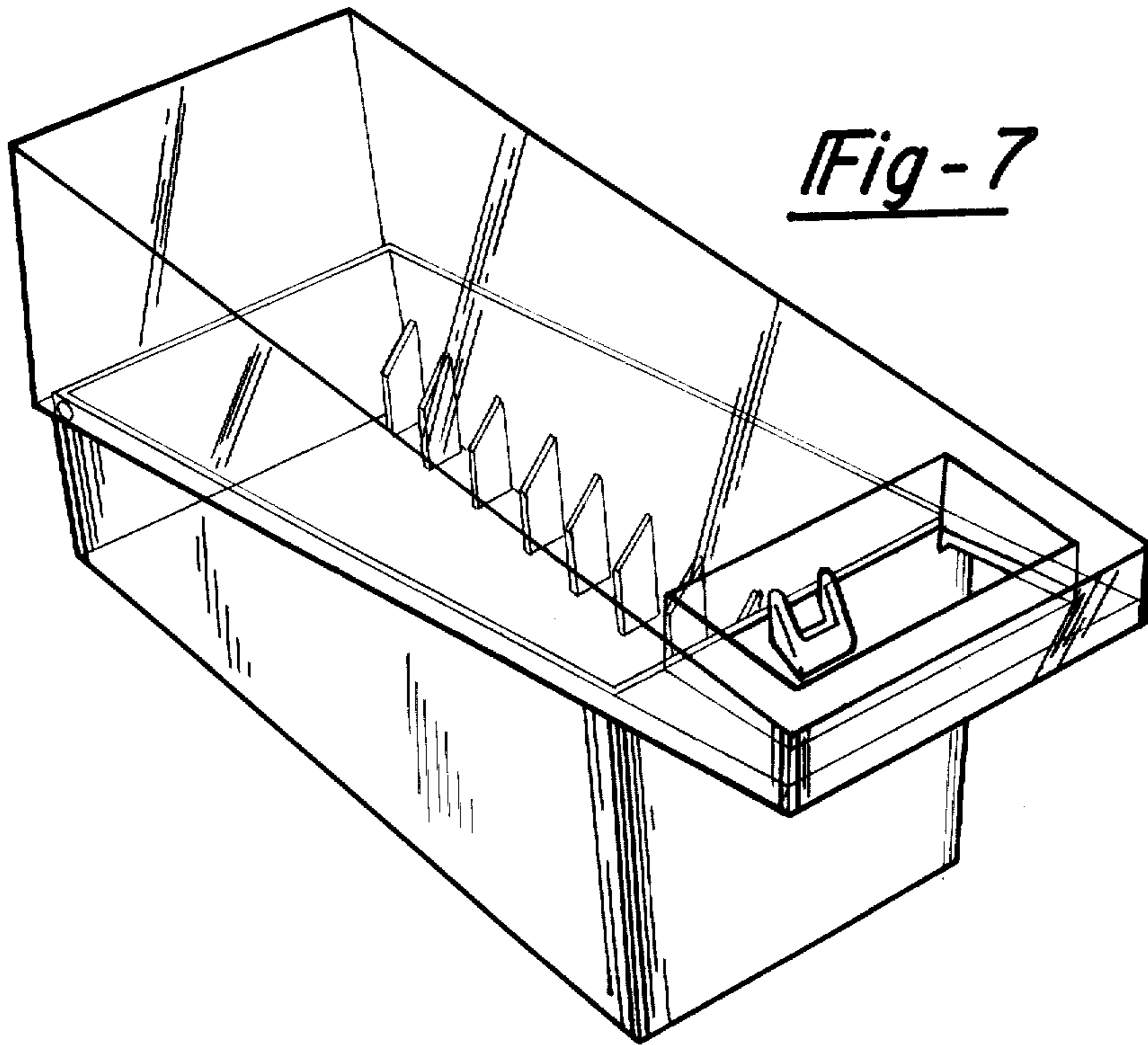


Fig-7

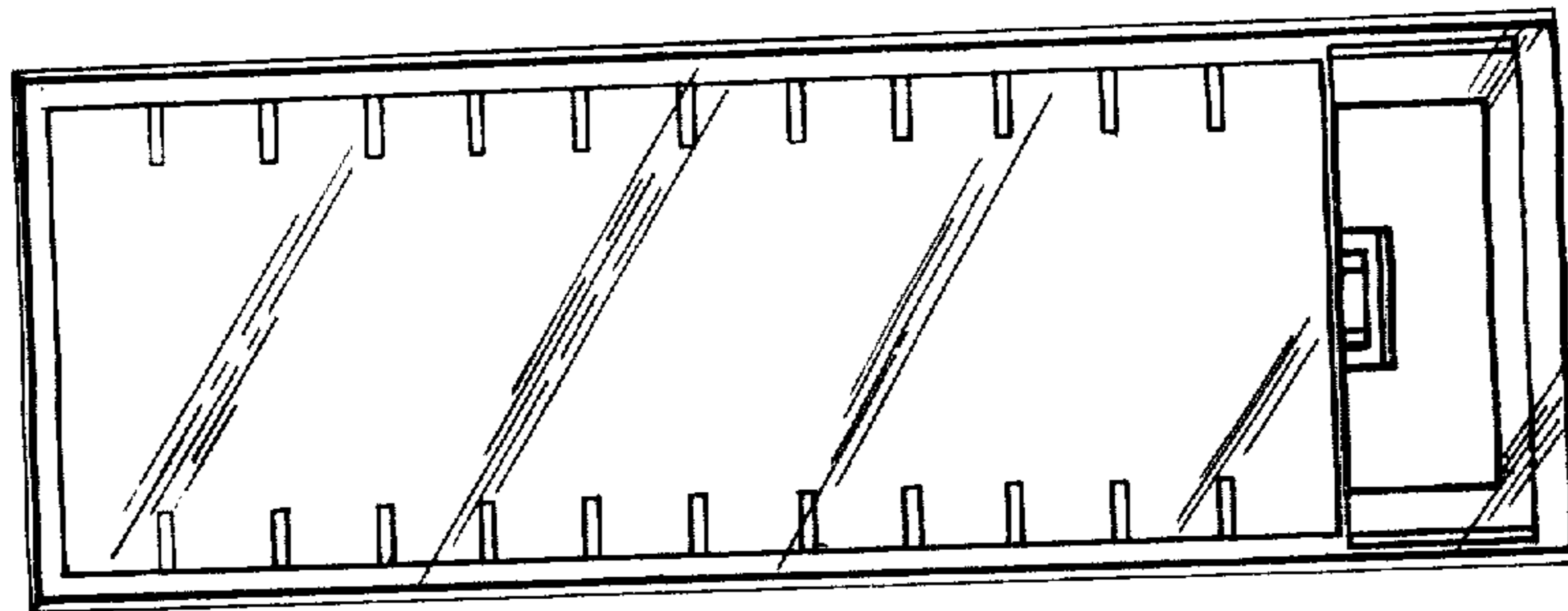


Fig-8

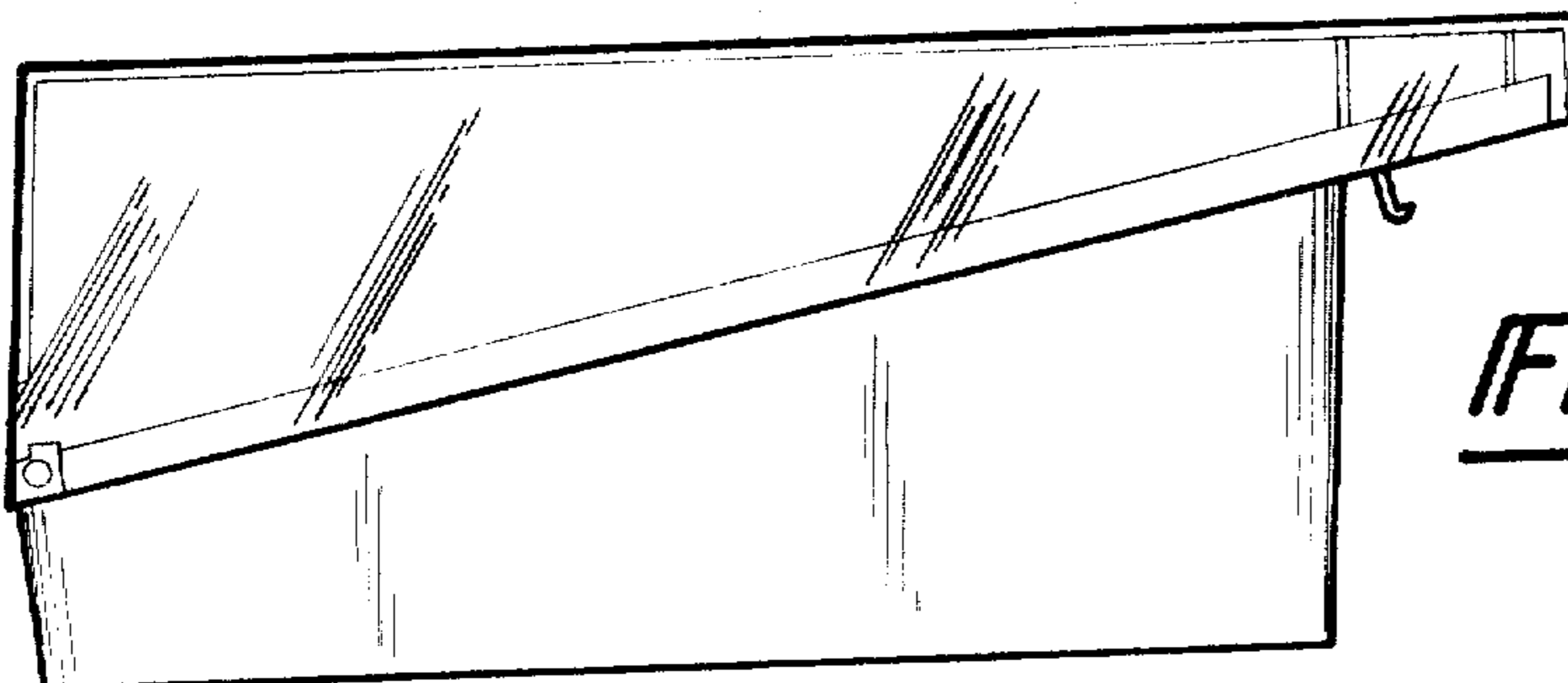


Fig-9

Fig-10

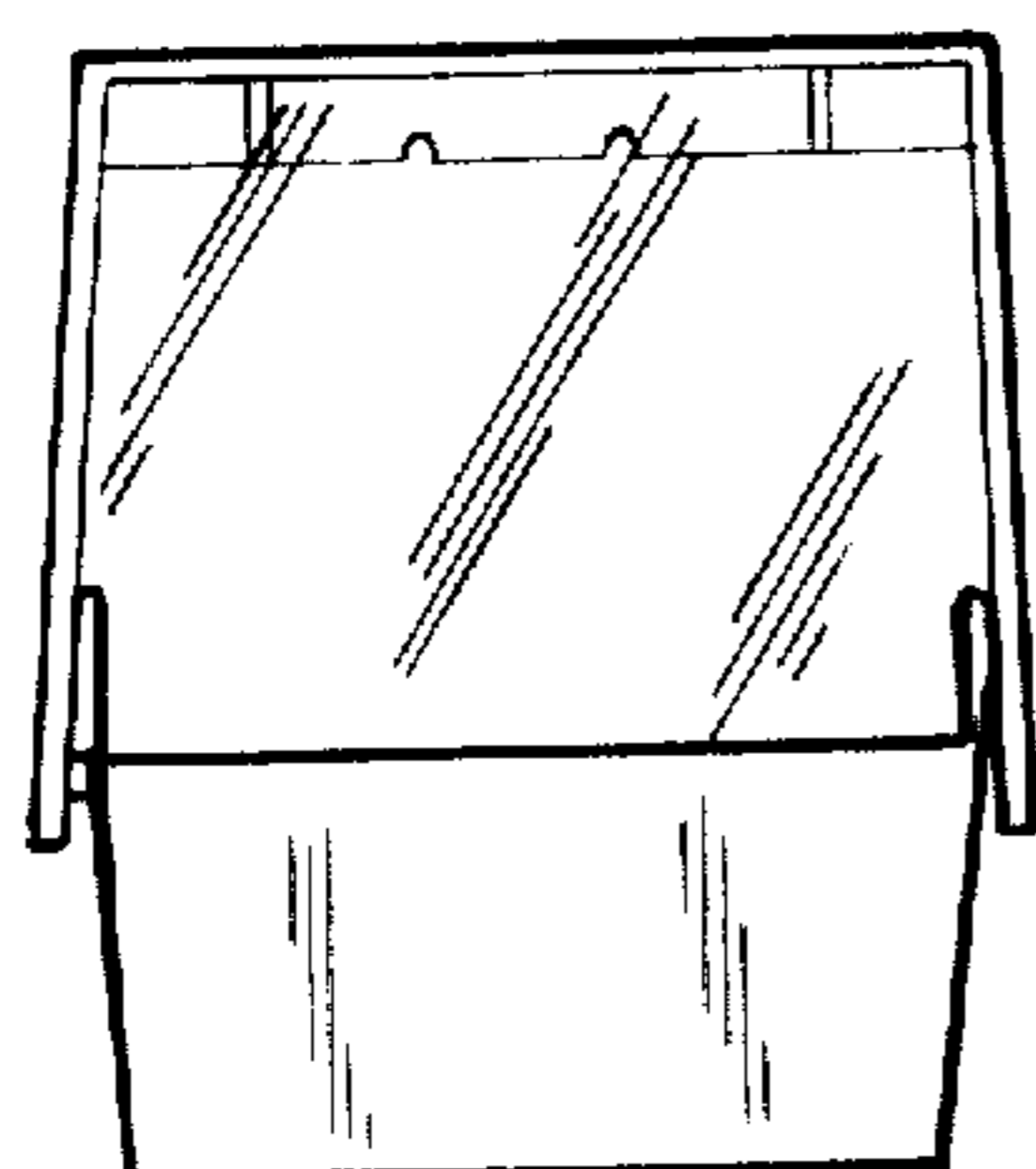
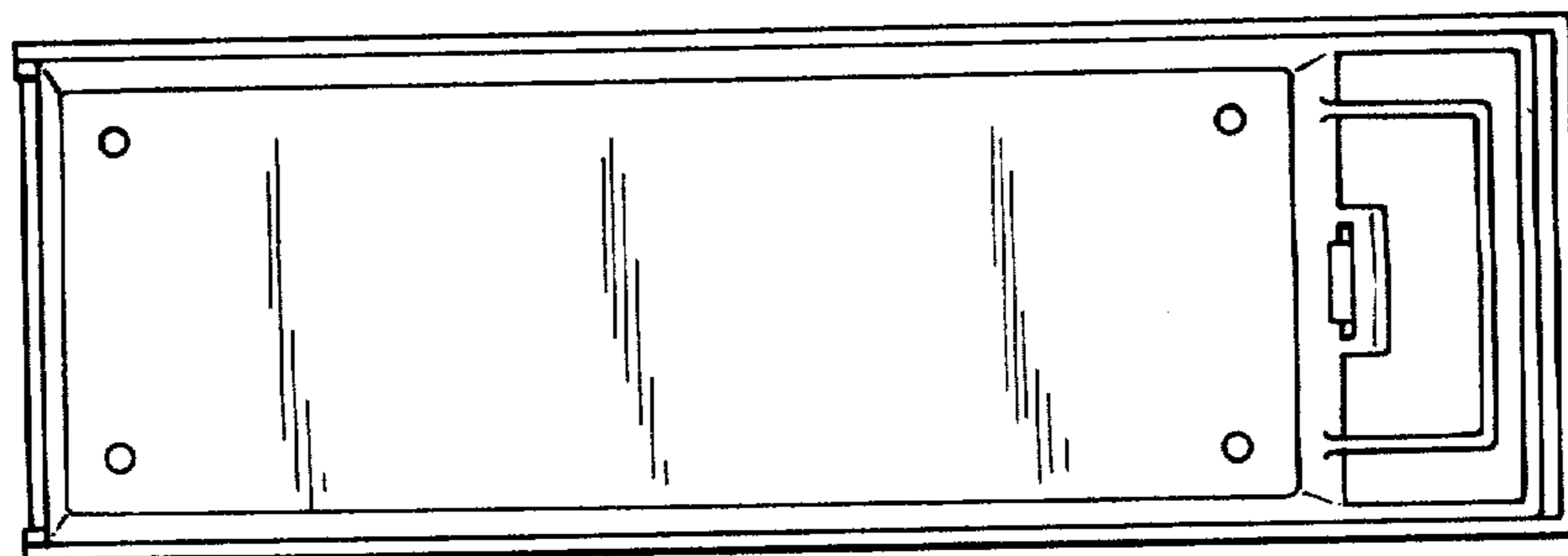


Fig-11

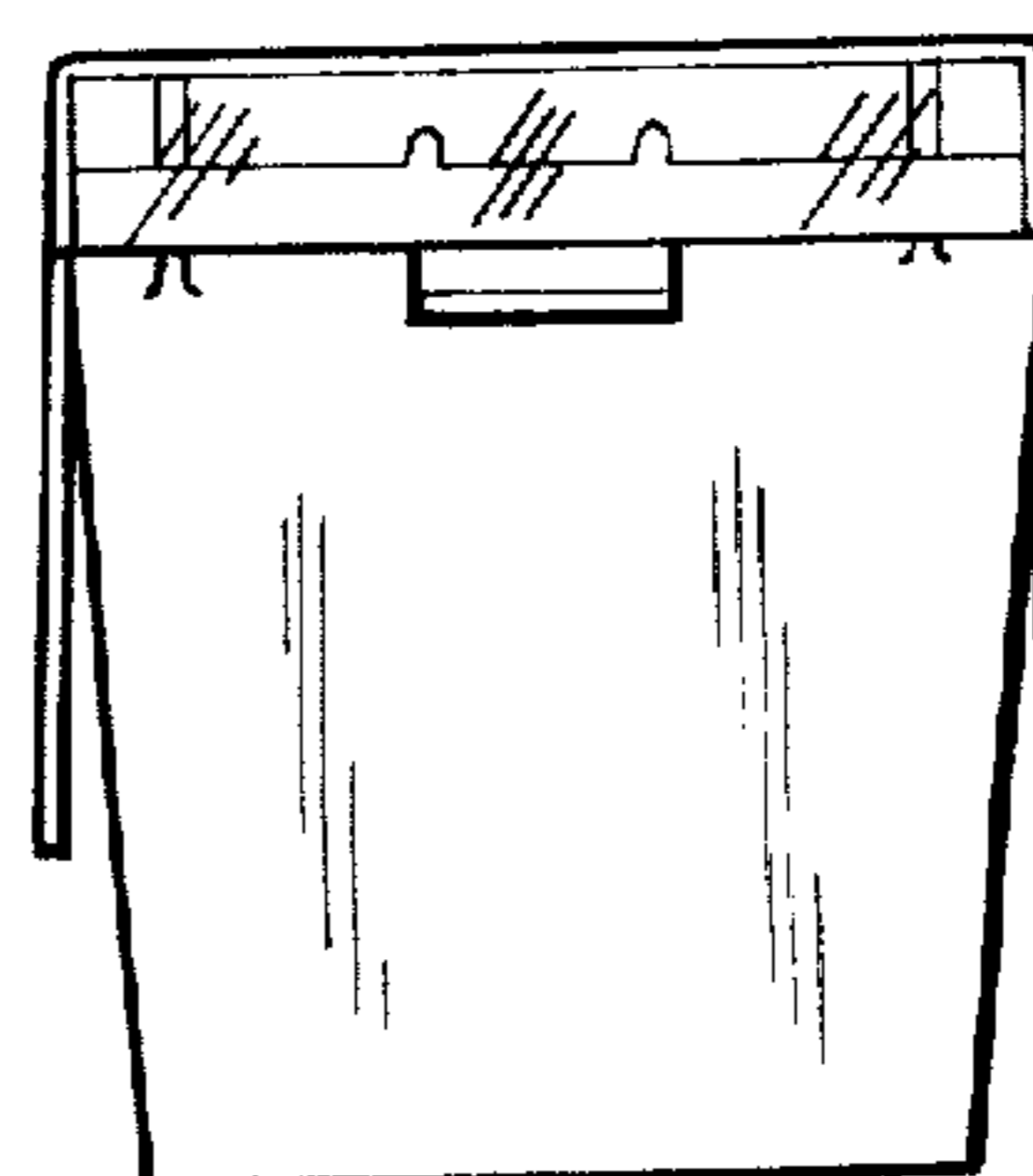


Fig-12