

[54] CREMAIN VAULT

[76] Inventors: **Gerald A. Dercks; Michael J. Dercks,**  
both of 4228 Park Ave. S.,  
Minneapolis, Minn. 55407

[\*\*] Term: **14 Years**

[21] Appl. No.: **216,026**

[22] Filed: **Dec. 12, 1980**

[51] Int. Cl. .... **D31-00**

[52] U.S. Cl. .... **D99/5; D99/1**

[58] Field of Search ..... **D99/1, 5, 8, 15;**  
**D3/30.1, 75; D6/146-149; D9/403, 407, 413,**  
**414, 430, 432; 27/1; 217/62**

[56] **References Cited**

**U.S. PATENT DOCUMENTS**

- D. 20,954 7/1891 Fuchs ..... D9/432
- D. 25,446 4/1896 Hartzell ..... D99/1

D. 95,151 4/1935 Scholes ..... D9/432

**OTHER PUBLICATIONS**

*Casket & Sunnyside*, Mar. 1978, p. 15, Metal Cremation Vault in Form of Rectangular Parallelepiped at right.  
*Casket & Sunnyside*, Mar. 1978, p. 23, Cremation Tray at bottom right.

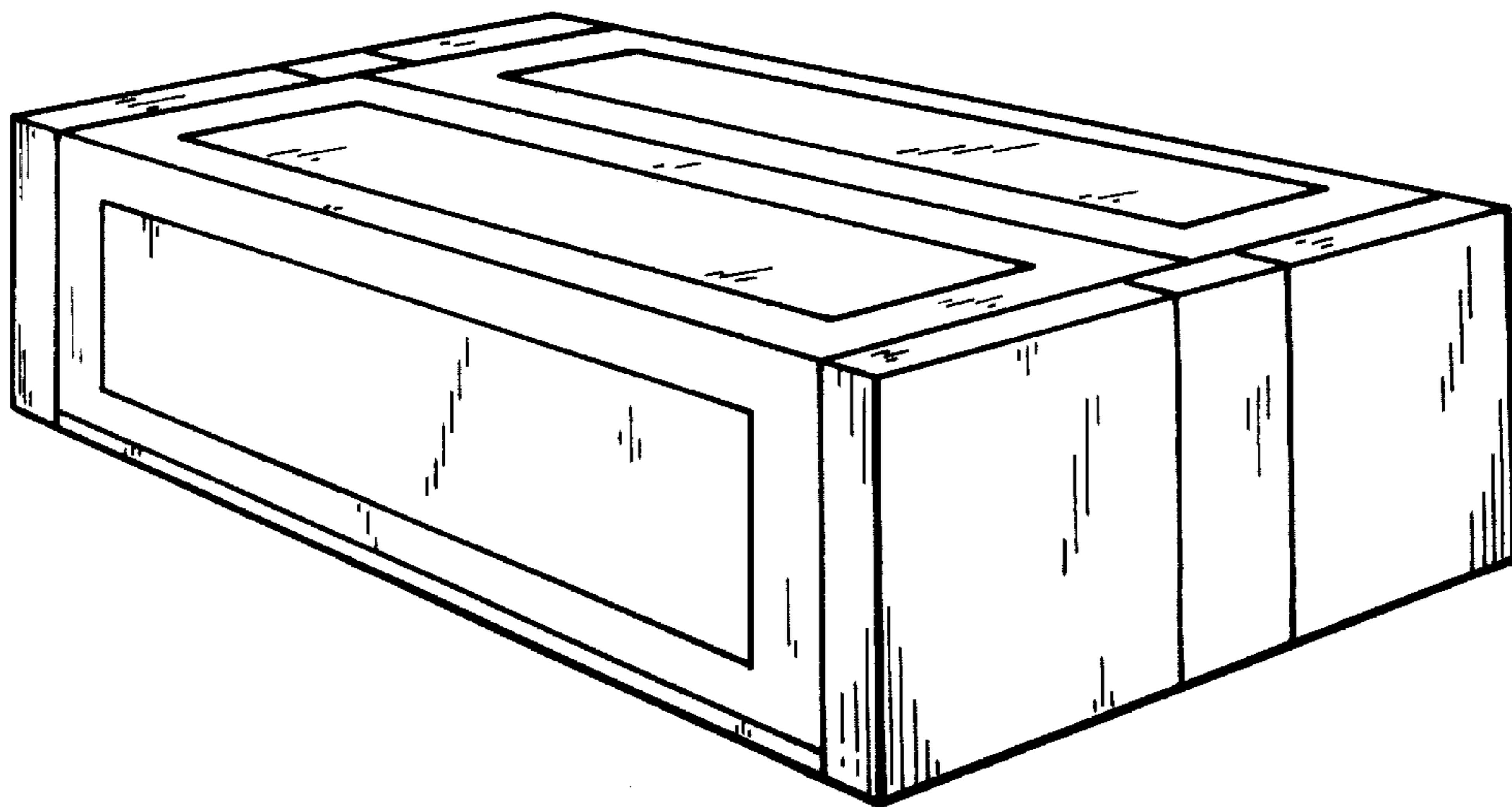
*Primary Examiner*—Louis S. Zarfes  
*Attorney, Agent, or Firm*—Hugh D. Jaeger

[57] **CLAIM**

The ornamental design for a cremain vault, as shown.

**DESCRIPTION**

FIG. 1 is a front perspective view of a cremain vault showing our new design;  
FIG. 2 is a top plan view;  
FIG. 3 is a side elevational view;  
FIG. 4 is a front elevational view; and  
FIG. 5 is a bottom plan view.



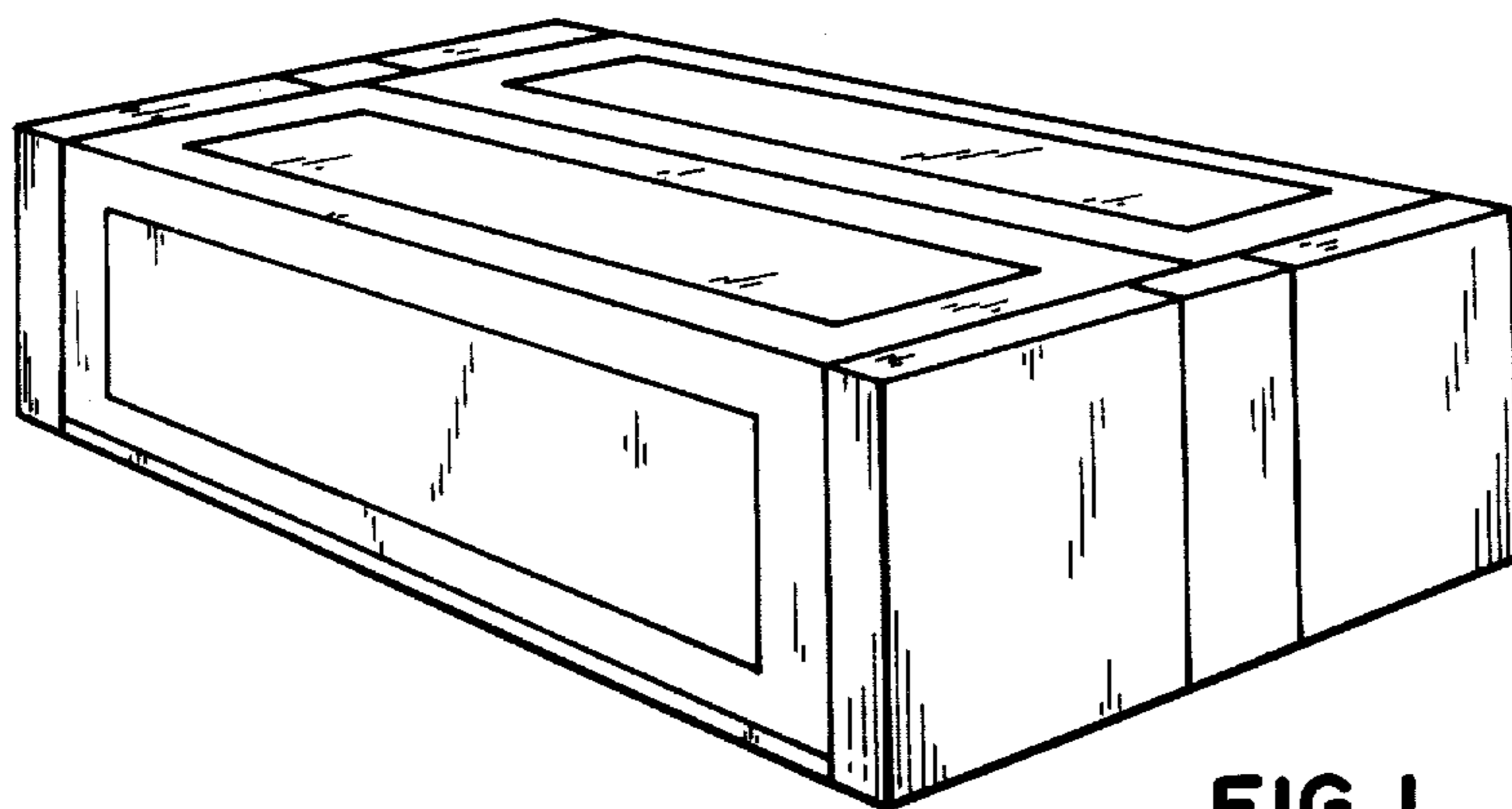


FIG. 1

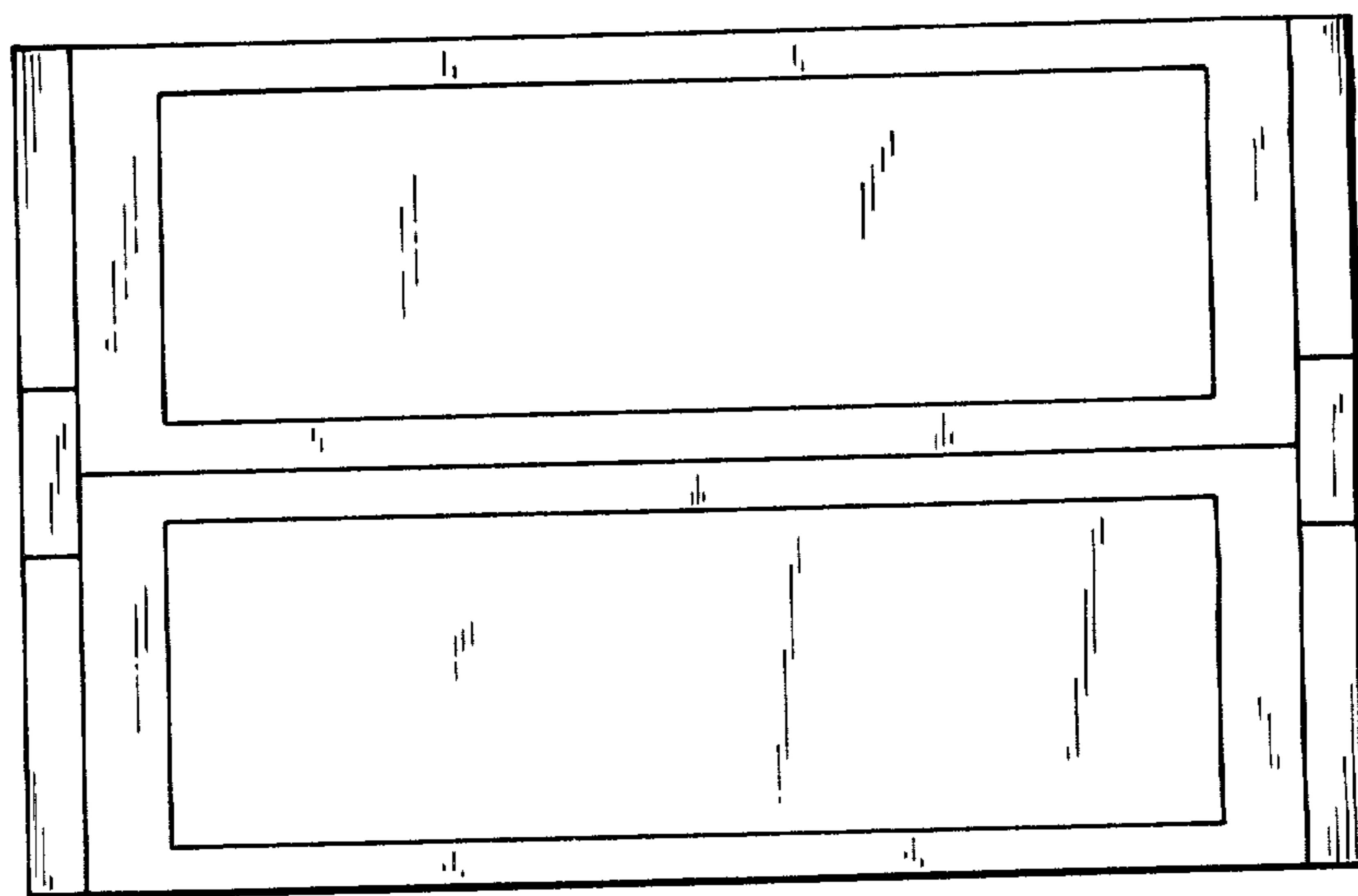


FIG. 2

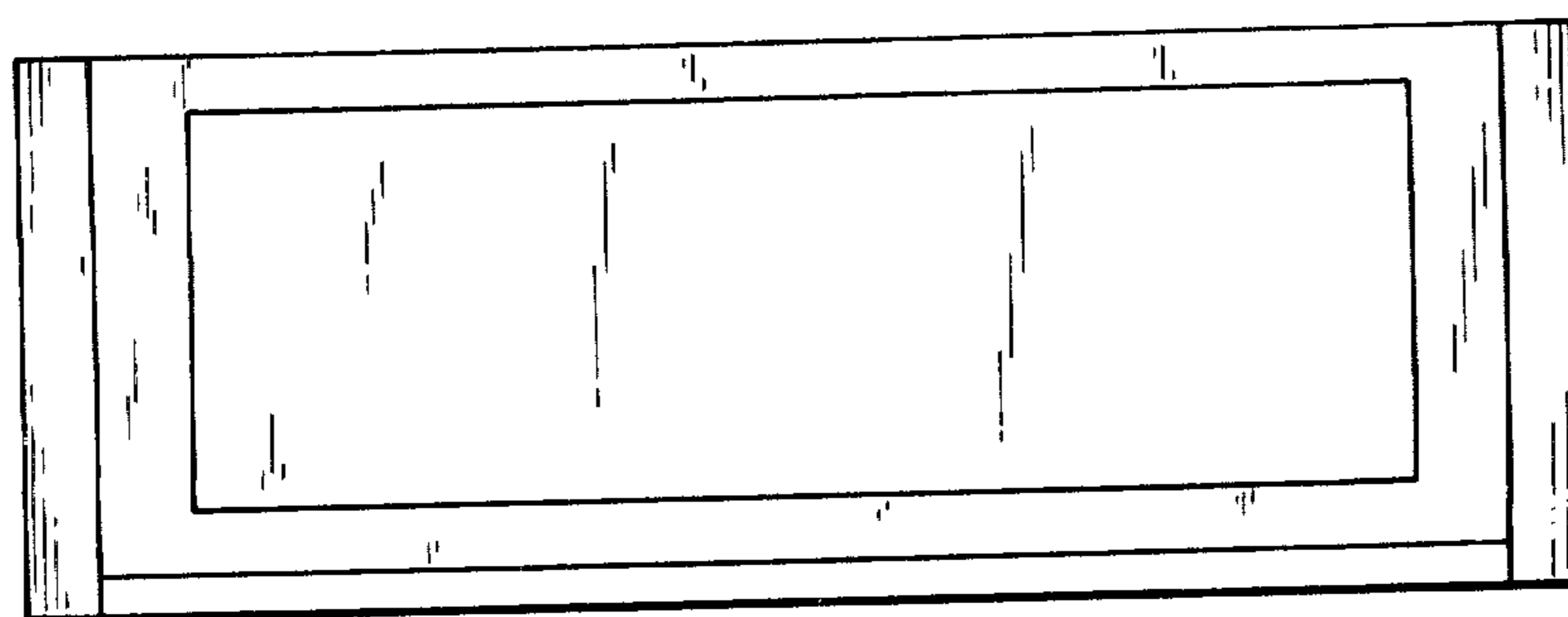
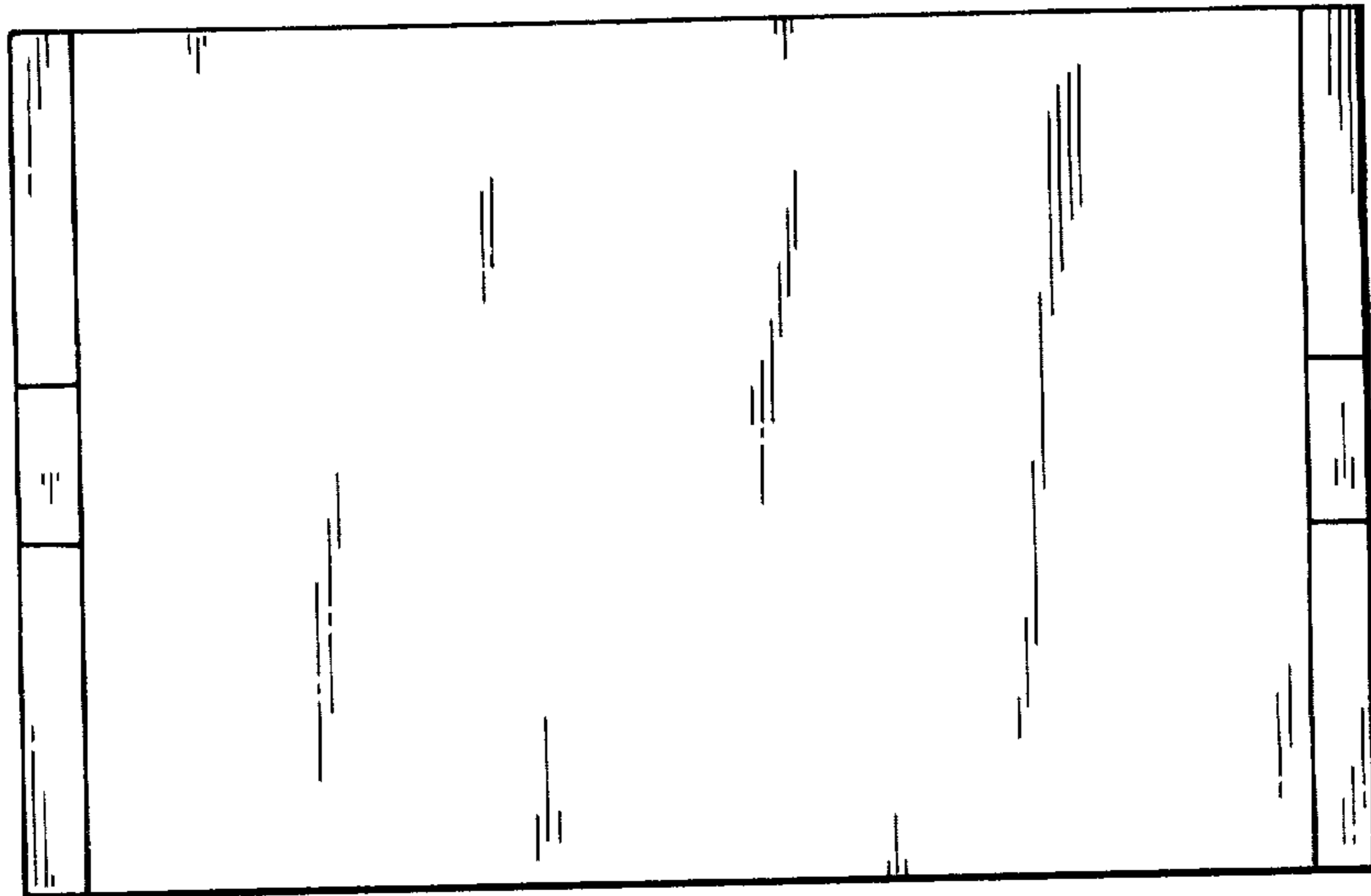
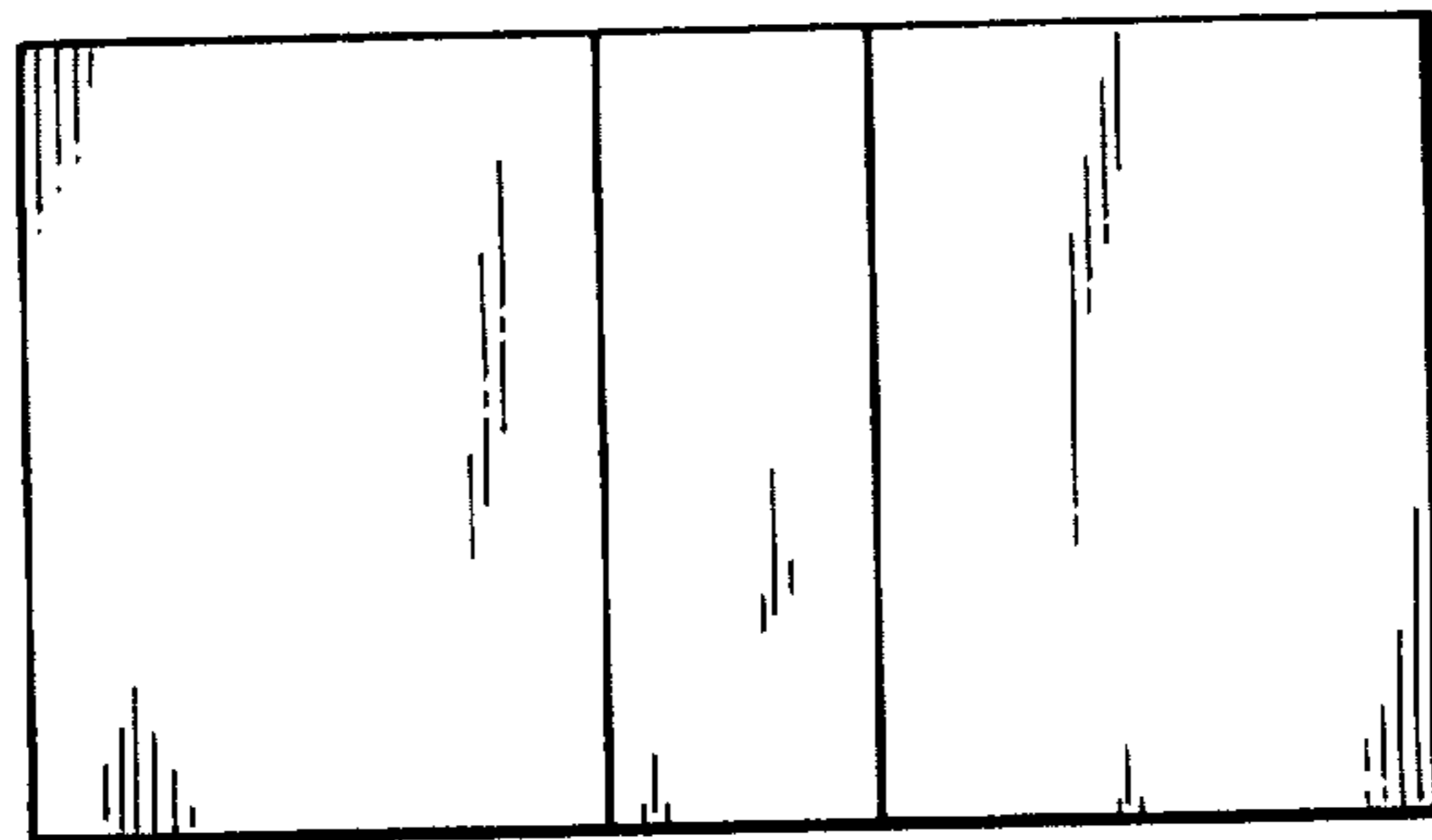


FIG. 3



**FIG. 4**



**FIG. 5**