

[54] ELECTRIC SHAVER

[75] Inventors: Yonosuke Iwai; Takeshi Takagi, both of Kadoma, Japan

[73] Assignee: Matsushita Electric Works, Ltd., Osaka, Japan

[\*\*] Term: 14 Years

[21] Appl. No.: 219,721

[22] Filed: Dec. 24, 1980

[30] Foreign Application Priority Data

Jun. 24, 1980 [JP] Japan ..... 55-25336

[51] Int. Cl. .... D28-03

[52] U.S. Cl. .... D28/49

[58] Field of Search ..... D28/44, 45, 49-53; 30/32, 34 R, 34.1, 41.9, 42, 43, 43.7-43.92, 85, 86, 90

[56] References Cited

U.S. PATENT DOCUMENTS

- D. 223,076 3/1972 Ernest ..... D28/49
- D. 229,794 1/1974 Ernest ..... D28/49
- D. 231,501 4/1974 Steinkamp ..... D28/49
- D. 248,579 7/1978 Gotoh et al. .... D28/49

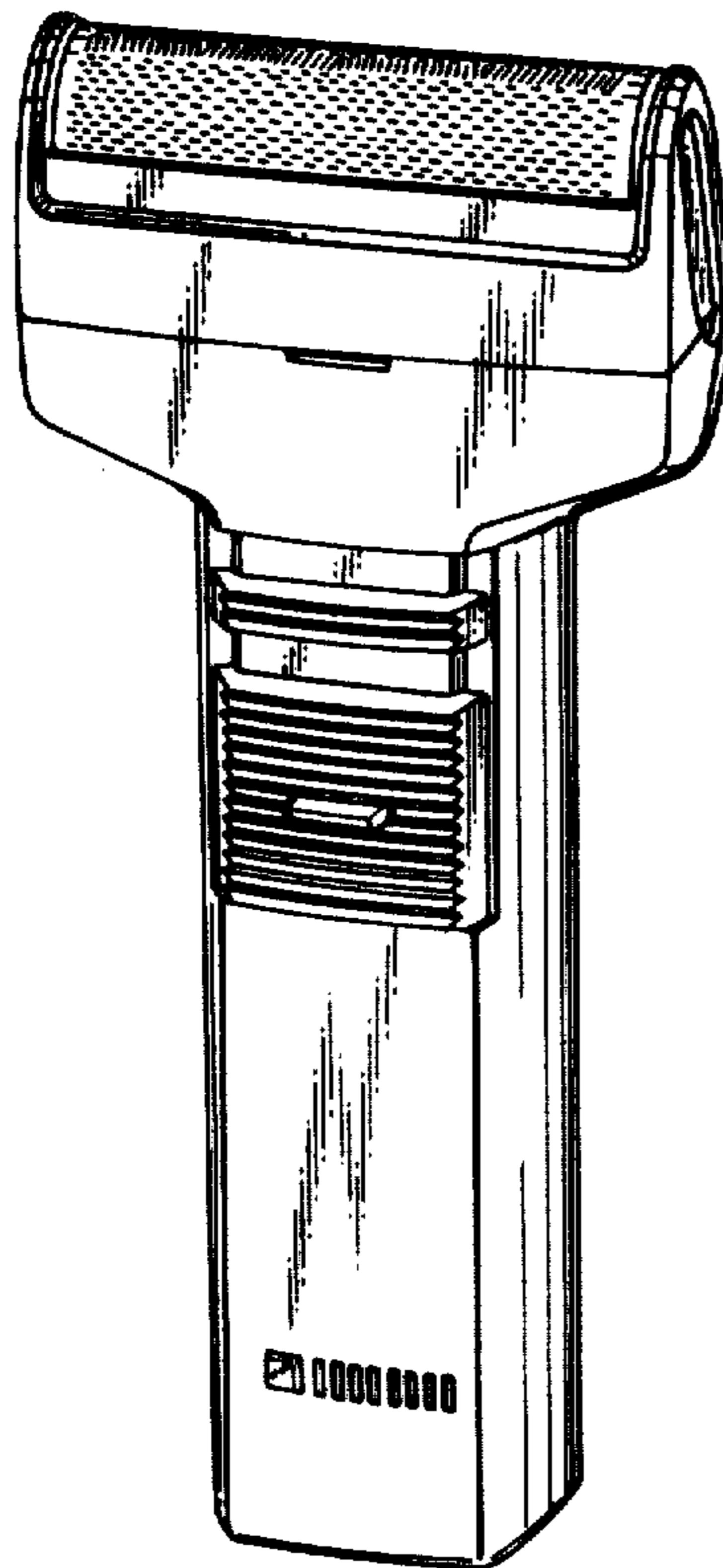
Primary Examiner—Louis S. Zarfes  
Attorney, Agent, or Firm—Sughrue, Mion, Zinn, Macpeak & Seas

[57] CLAIM

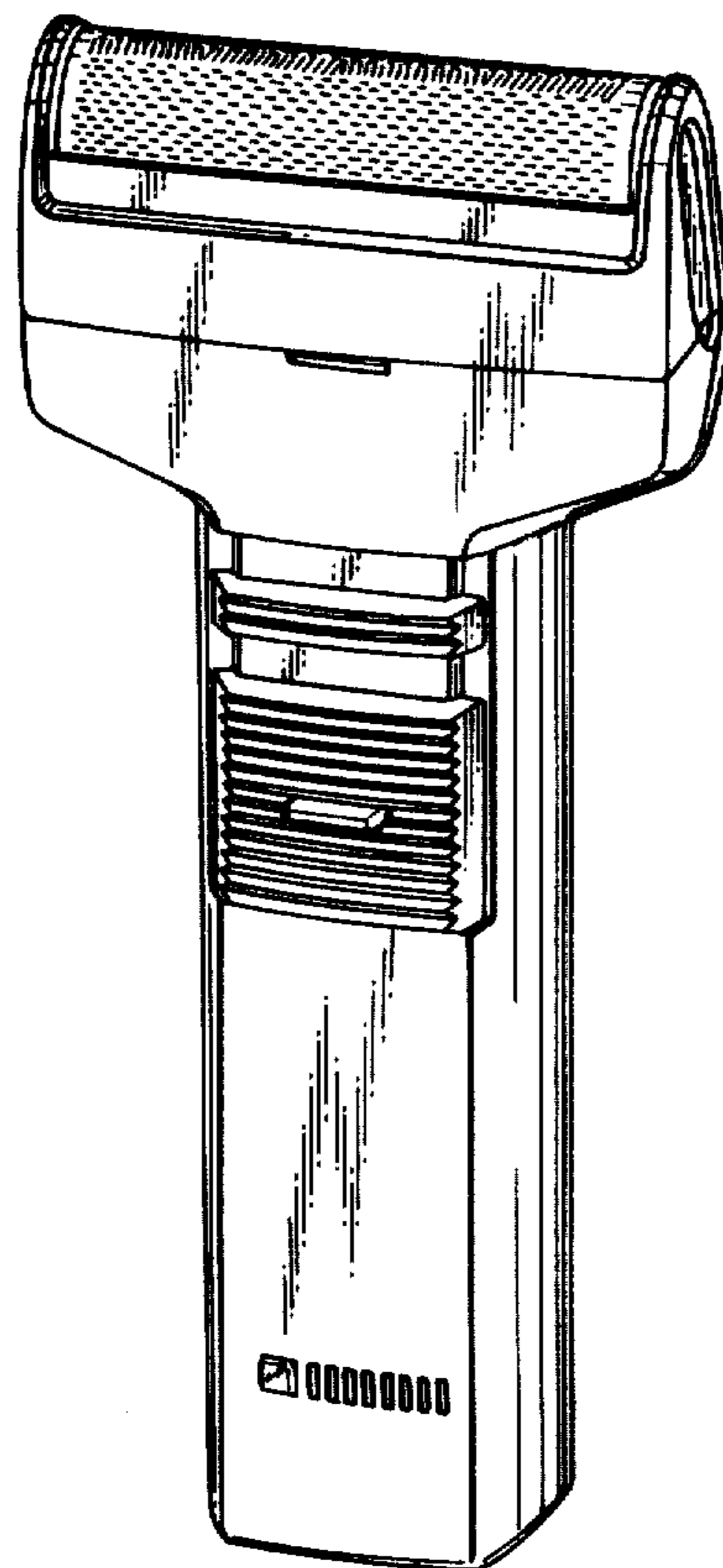
The ornamental design for an electric shaver, as shown.

DESCRIPTION

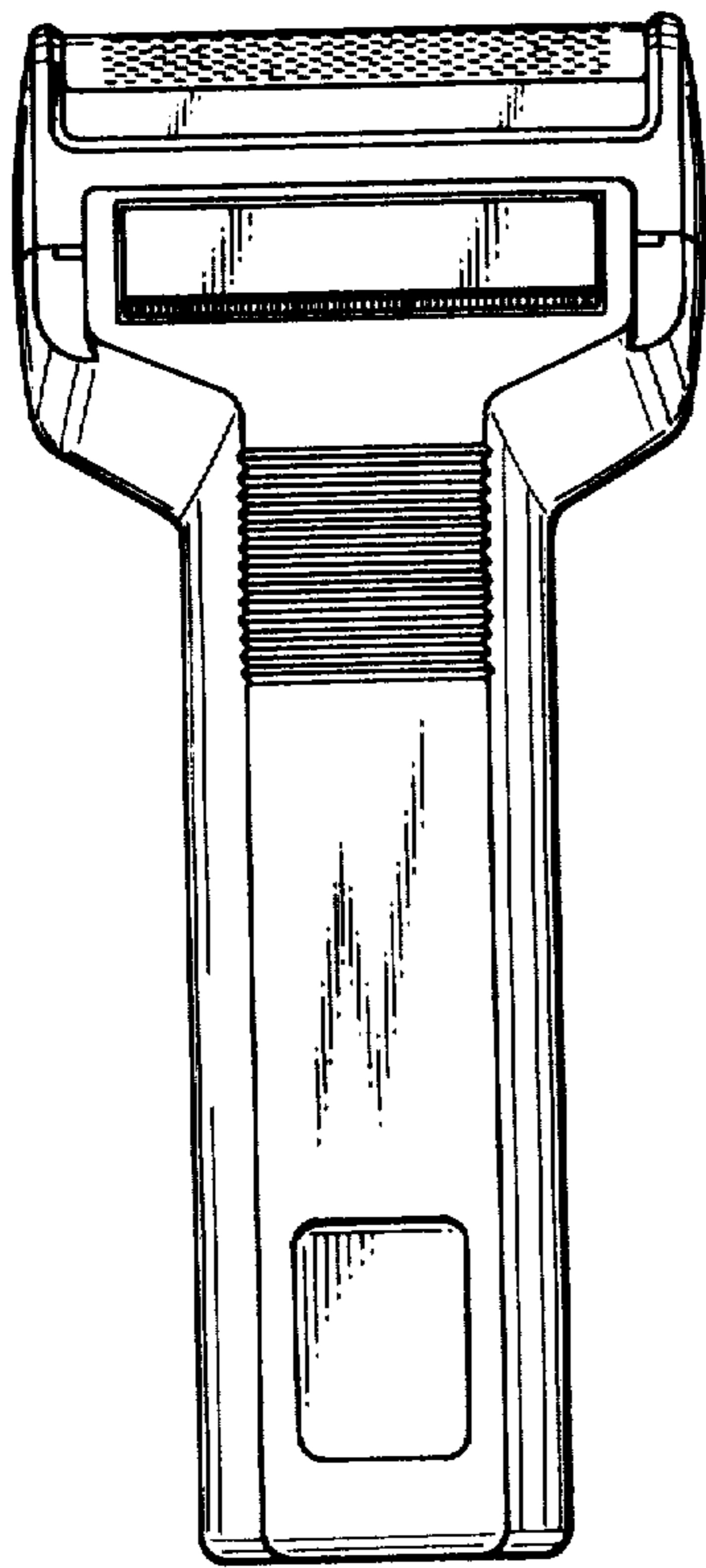
FIG. 1 is a front, top and right side perspective view of an electric shaver showing our new design; FIG. 2 is a rear elevational view thereof; FIG. 3 is a right side elevational view thereof; FIG. 4 is a left side elevational view thereof; FIG. 5 is a top plan view thereof; and FIG. 6 is a bottom plan view thereof.



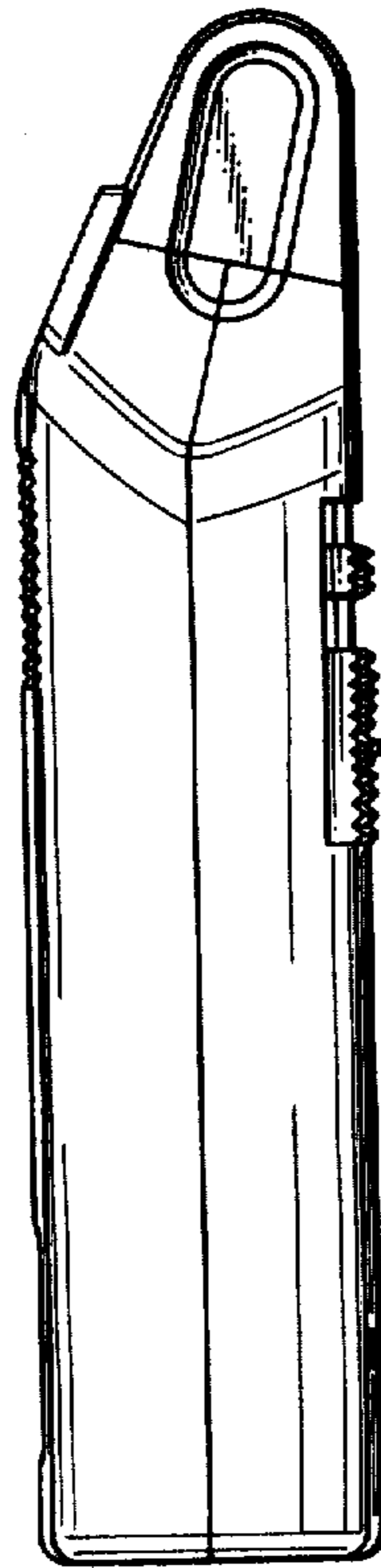
*Fig. 1*



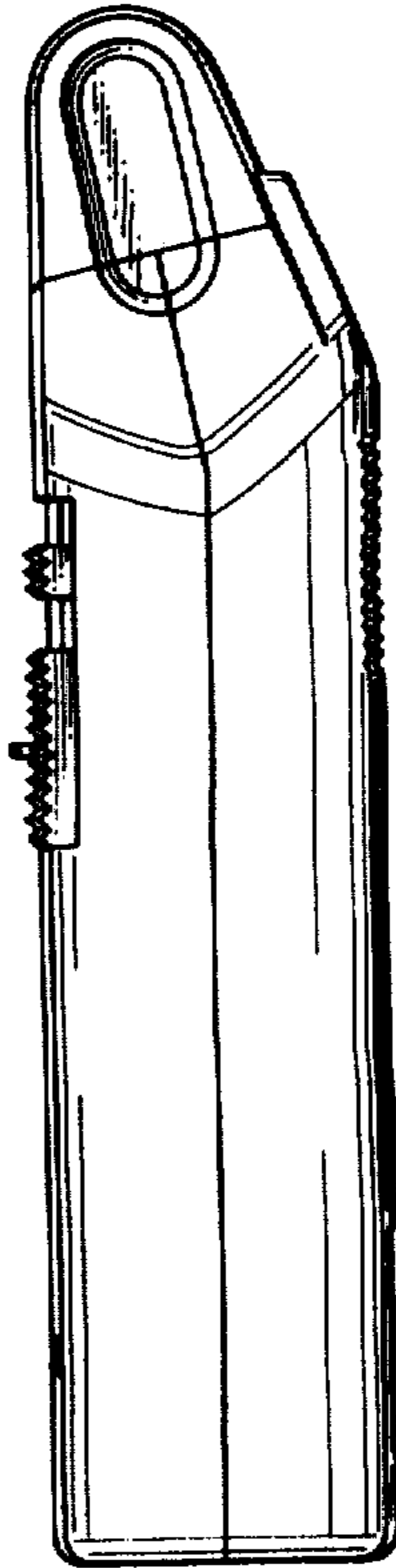
*Fig. 2*



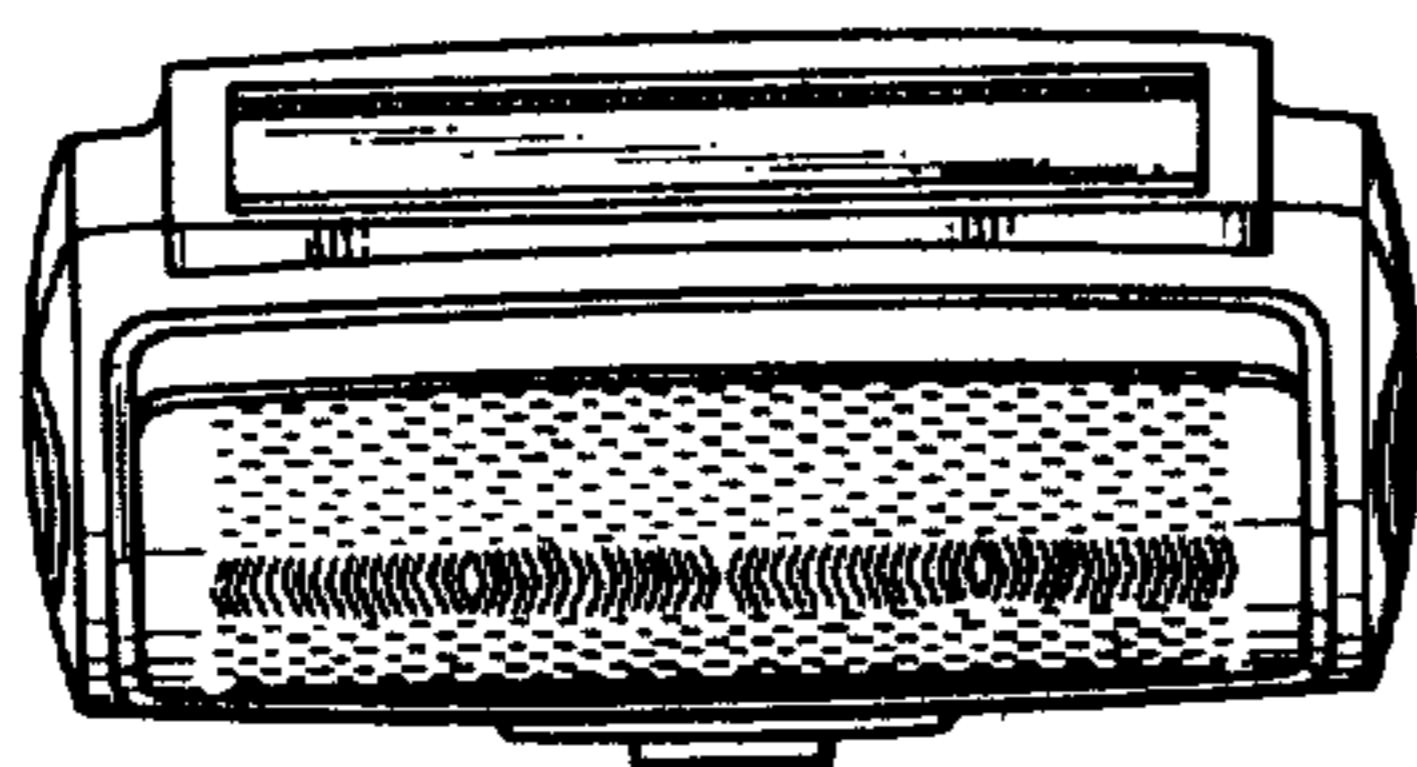
*Fig. 3*



*Fig. 4*



*Fig. 5*



*Fig. 6*

