

[54] **HAIR DRYER**

[75] **Inventor:** Roderick McBrien, Poole, England

[73] **Assignee:** F.C.F. Limited, Poole, England

[\*\*] **Term:** 14 Years

[21] **Appl. No.:** 217,102

[22] **Filed:** Dec. 16, 1980

[30] **Foreign Application Priority Data**

Sep. 4, 1980 [GB] United Kingdom ..... 996428

[51] **Int. Cl.** ..... D28-03

[52] **U.S. Cl.** ..... D28/13

[58] **Field of Search** ..... D28/9-13,  
D28/15, 16, 18; 132/9, 11 A; 34/96-100

[56]

**References Cited**

**U.S. PATENT DOCUMENTS**

D. 241,379 9/1976 Müller ..... D28/13  
D. 248,169 6/1978 Yamamoto ..... D28/13  
D. 253,914 1/1980 Haase ..... D28/13

**OTHER PUBLICATIONS**

*Oster Airjet Hair Dryer*, Litho10/63, Compact "Airjet" Hair Dryer.

*Housewares*, 2/1974, p. 13, Dryer at bottom.

*Primary Examiner*—Louis S. Zarfes

*Attorney, Agent, or Firm*—Pennie & Edmonds

[57]

**CLAIM**

The ornamental design for a hair dryer, as shown.

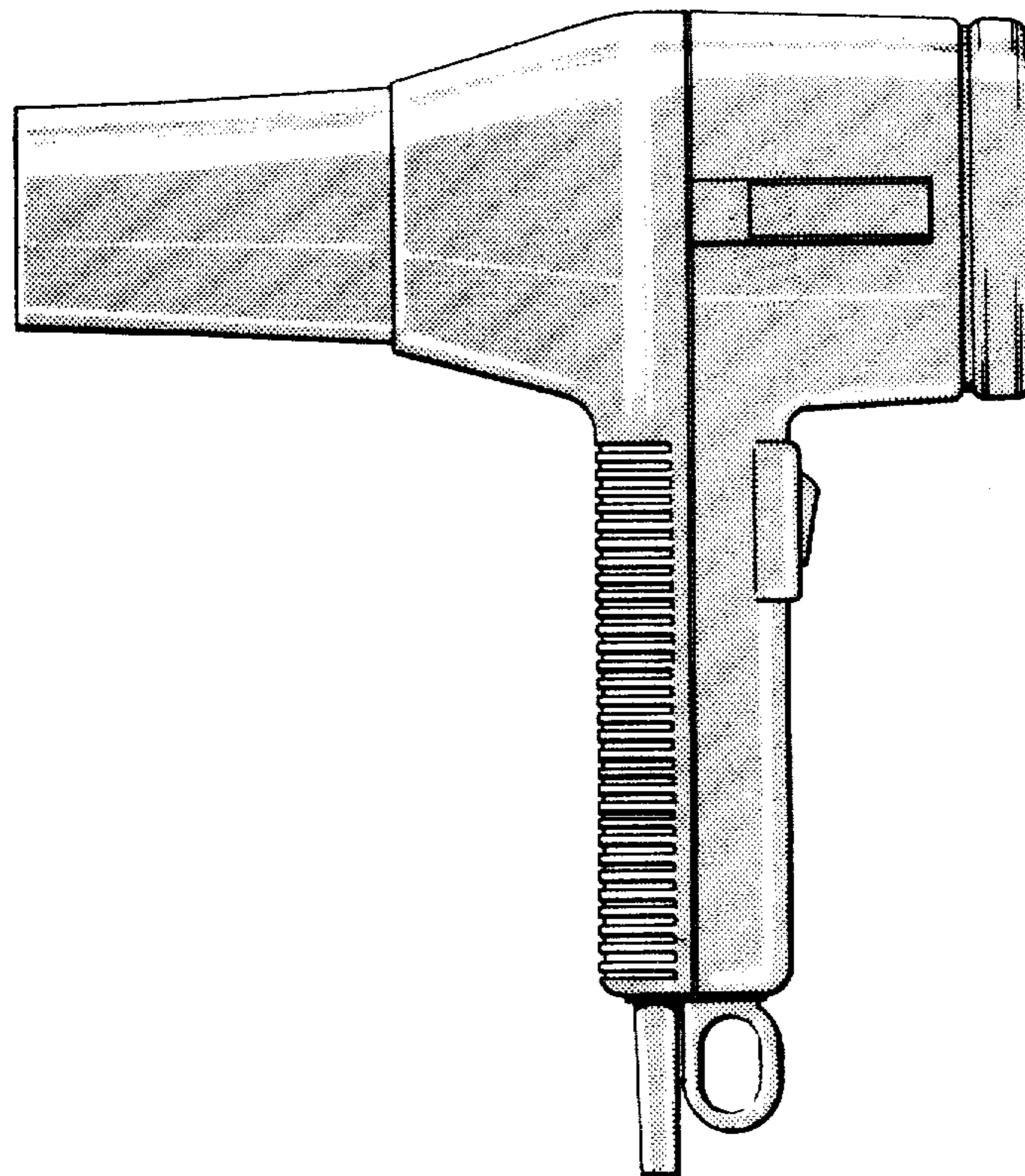
**DESCRIPTION**

FIG. 1 is a side elevation of a hair dryer showing my new design;

FIG. 2 is a plan view of a hair dryer as shown in FIG. 1;

FIG. 3 is a front elevation of the hair dryer of FIG. 1;

FIG. 4 is a rear elevation of the hair dryer of FIG. 1.



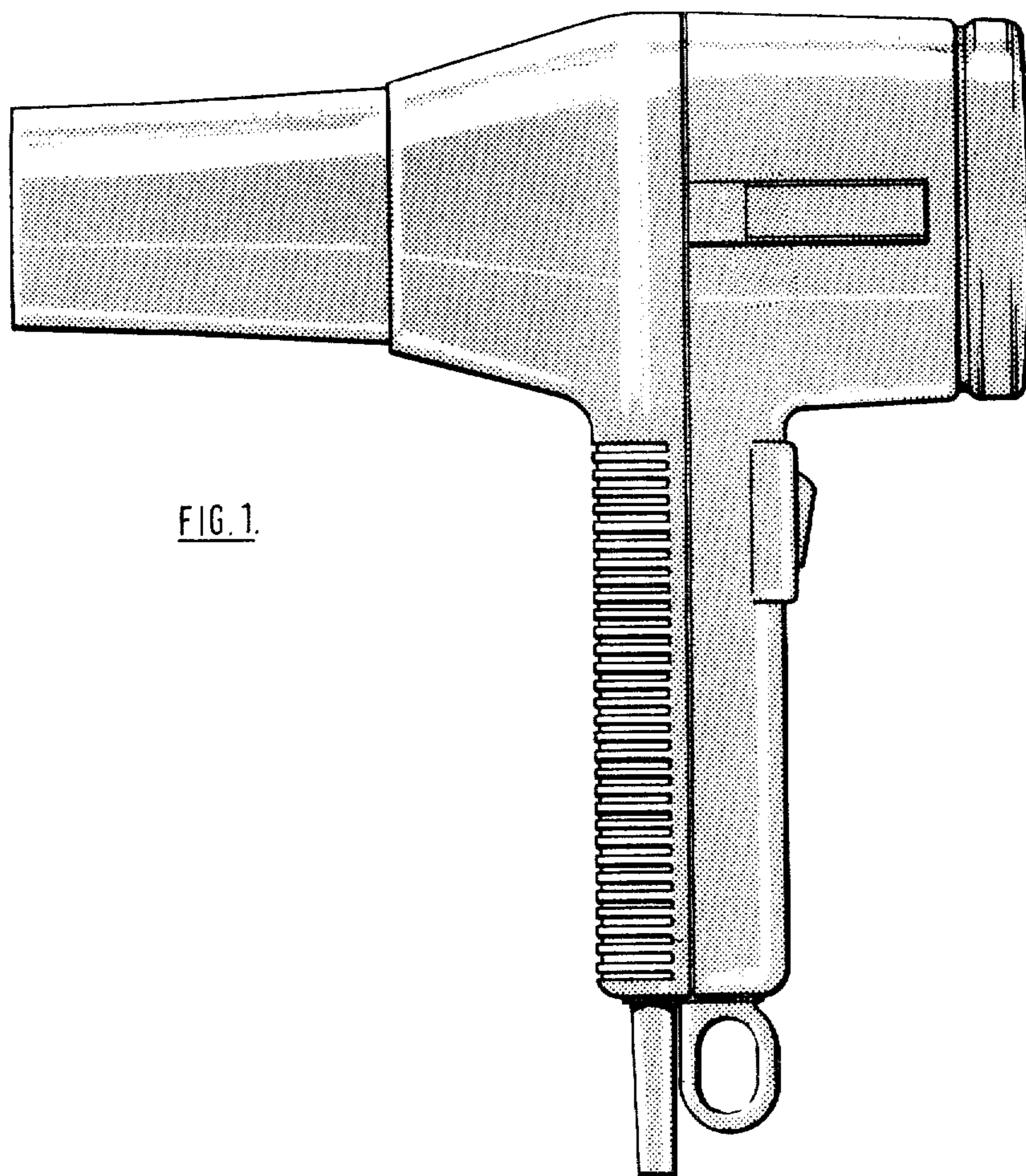


FIG. 1.

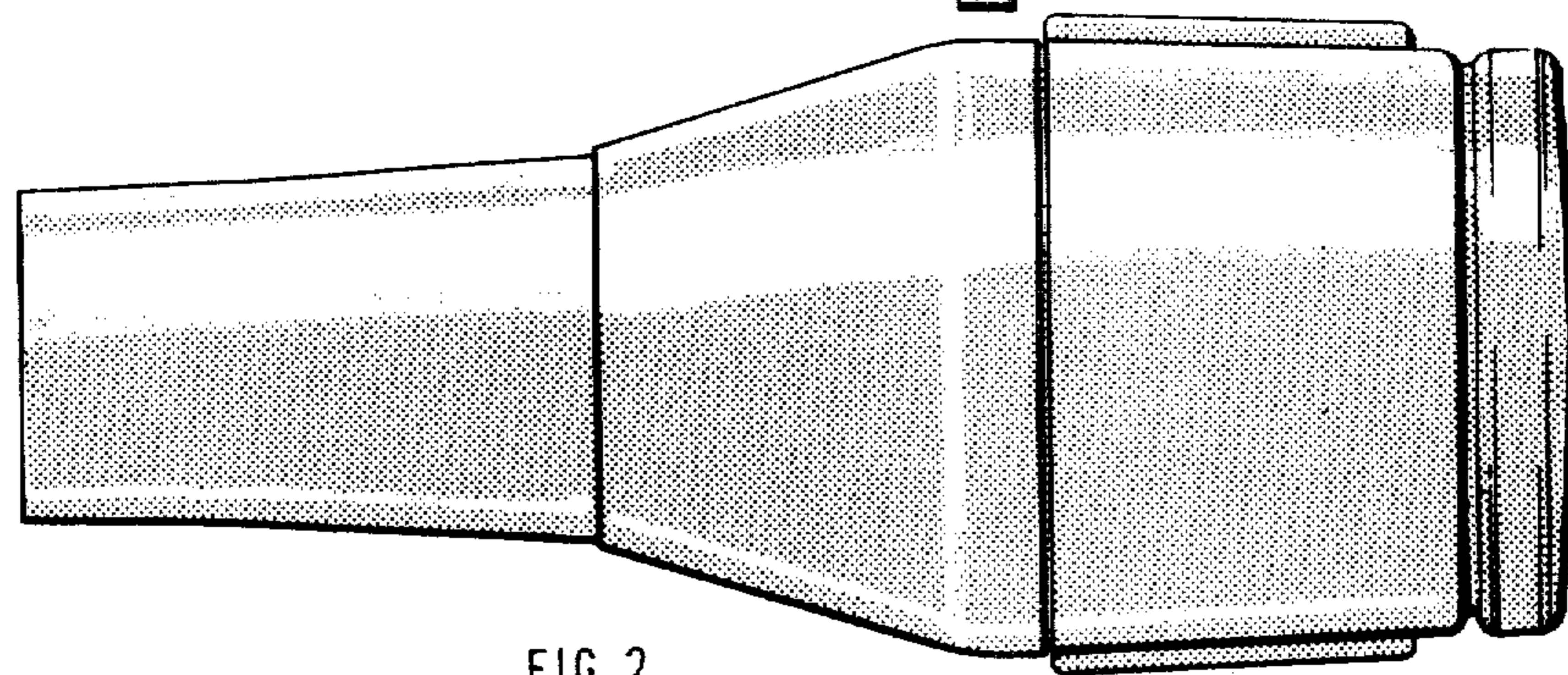


FIG. 2.

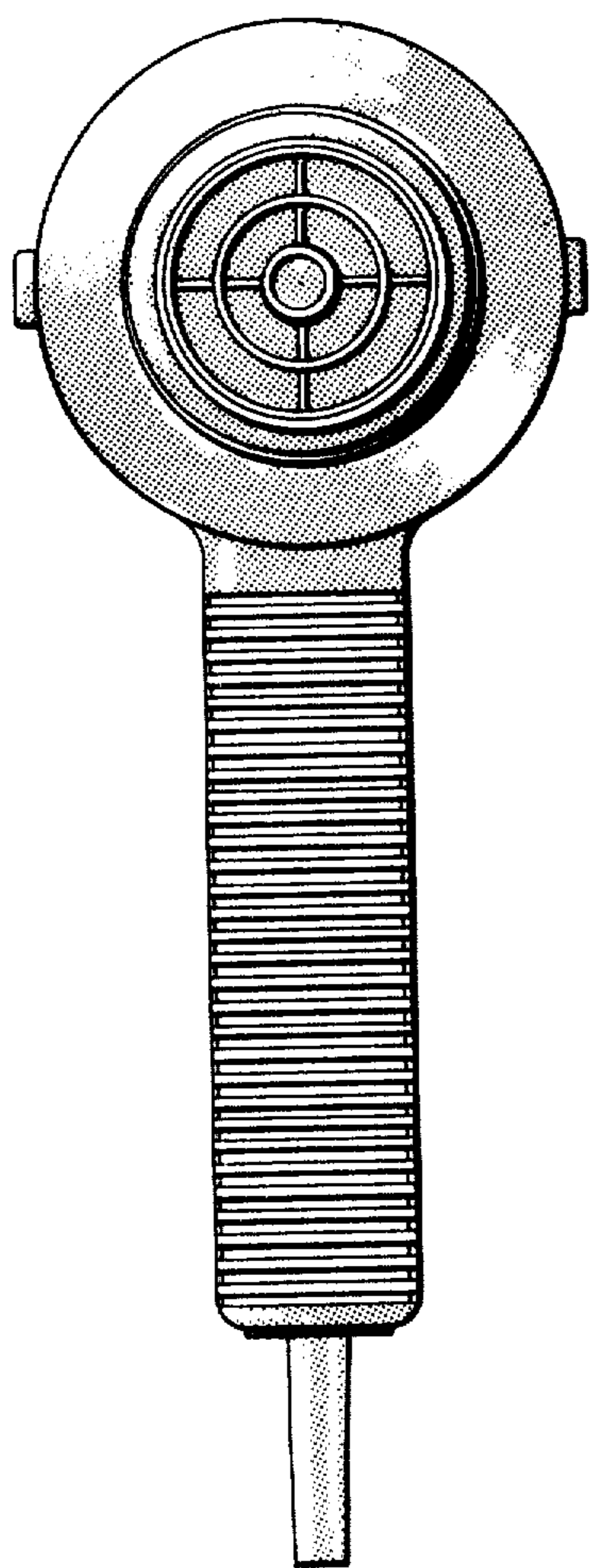


FIG. 3.

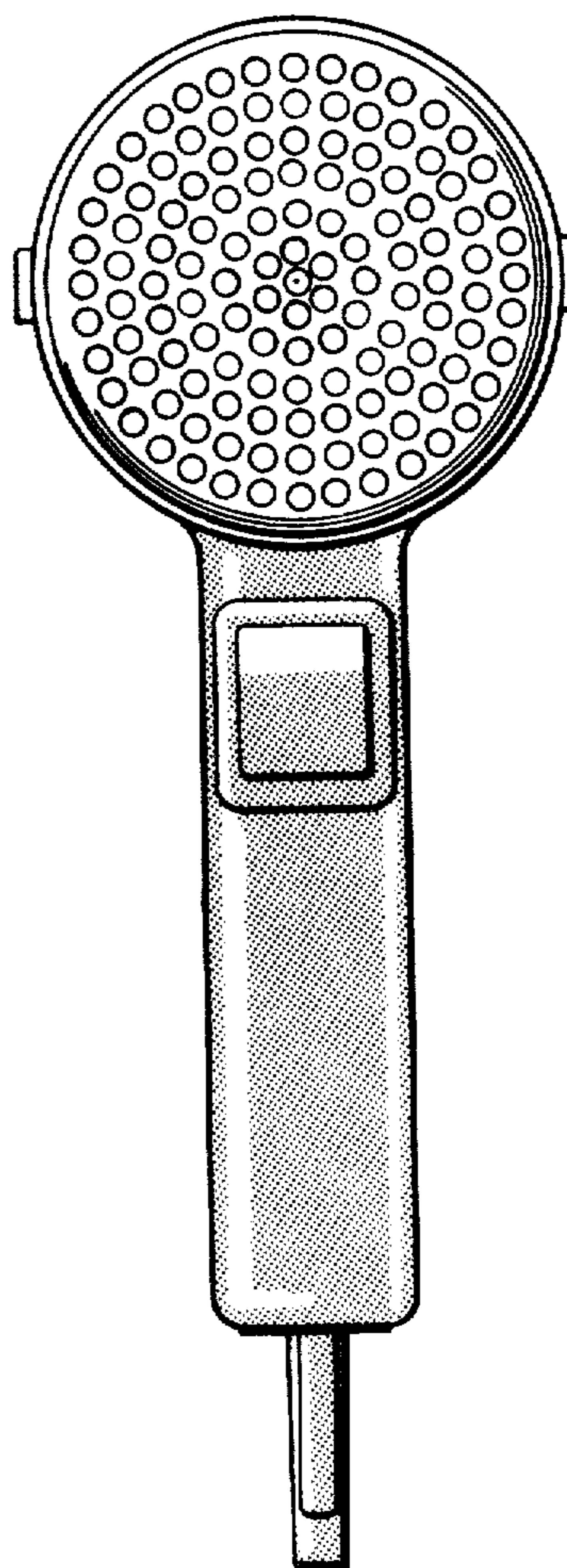


FIG. 4.

UNITED STATES PATENT AND TRADEMARK OFFICE  
**CERTIFICATE OF CORRECTION**

PATENT NO. : D268370  
DATED : March 22, 1983  
INVENTOR(S) : Roderick McBrien

It is certified that error appears in the above-identified patent and that said Letters Patent is hereby corrected as shown below:

Title Page, in Item 30 "996428" should read --996429 --.

**Signed and Sealed this**

*Seventh Day of June 1983*

[SEAL]

*Attest:*

DONALD J. QUIGG

*Attesting Officer*

*Acting Commissioner of Patents and Trademarks*