

[54] **HAIR DRYER**

[75] Inventor: **Roderick McBrien, Poole, England**

[73] Assignee: **F.C.F. Limited, Poole, England**

[**] Term: **14 Years**

[21] Appl. No.: **217,101**

[22] Filed: **Dec. 16, 1980**

[30] **Foreign Application Priority Data**

Sep. 4, 1980 [GB] United Kingdom 996428

[51] Int. Cl. **D28—03**

[52] U.S. Cl. **D28/13**

[58] Field of Search **D28/9-13,**
D28/15, 16, 18; 34/96-100; 132/9, 11 A

[56] **References Cited**

U.S. PATENT DOCUMENTS

D. 253,914 1/1980 Haase D28/13
D. 258,014 1/1981 Lam D28/13

OTHER PUBLICATIONS

Merchandising Week, 7/10/1972, p. 58, Dryer at bottom right.

Housewares, 2/1974, p. 13, Dryer at bottom.

Primary Examiner—Louis S. Zarfes

Attorney, Agent, or Firm—Pennie & Edmonds

[57] **CLAIM**

The ornamental design for a hair dryer, as shown.

DESCRIPTION

FIG. 1 is a side elevation of a hair dryer showing my new design;

FIG. 2 is a plan view of a hair dryer as shown in FIG. 1;

FIG. 3 is a front elevation of the hair dryer of FIG. 1;

FIG. 4 is a rear elevation of the hair dryer of FIG. 1.

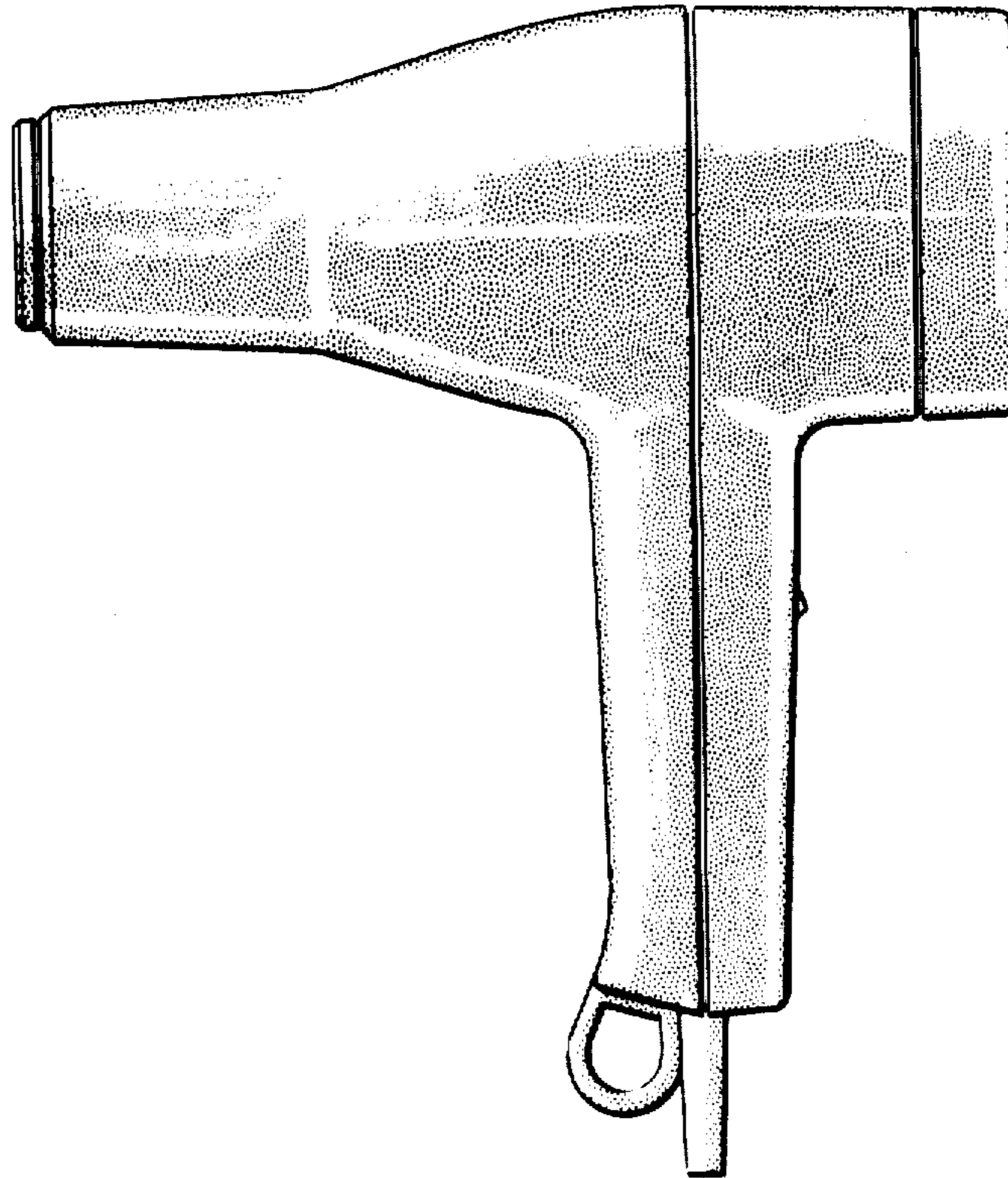


FIG. 1.

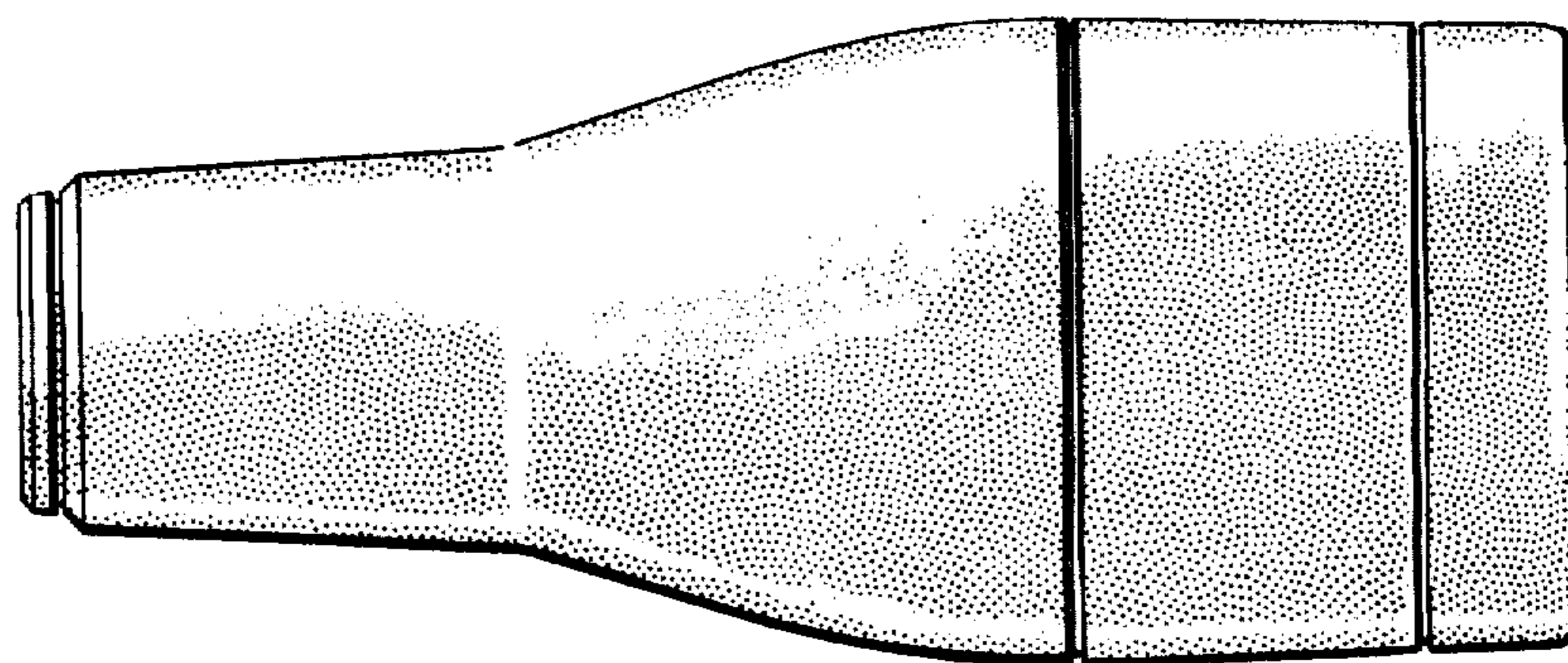
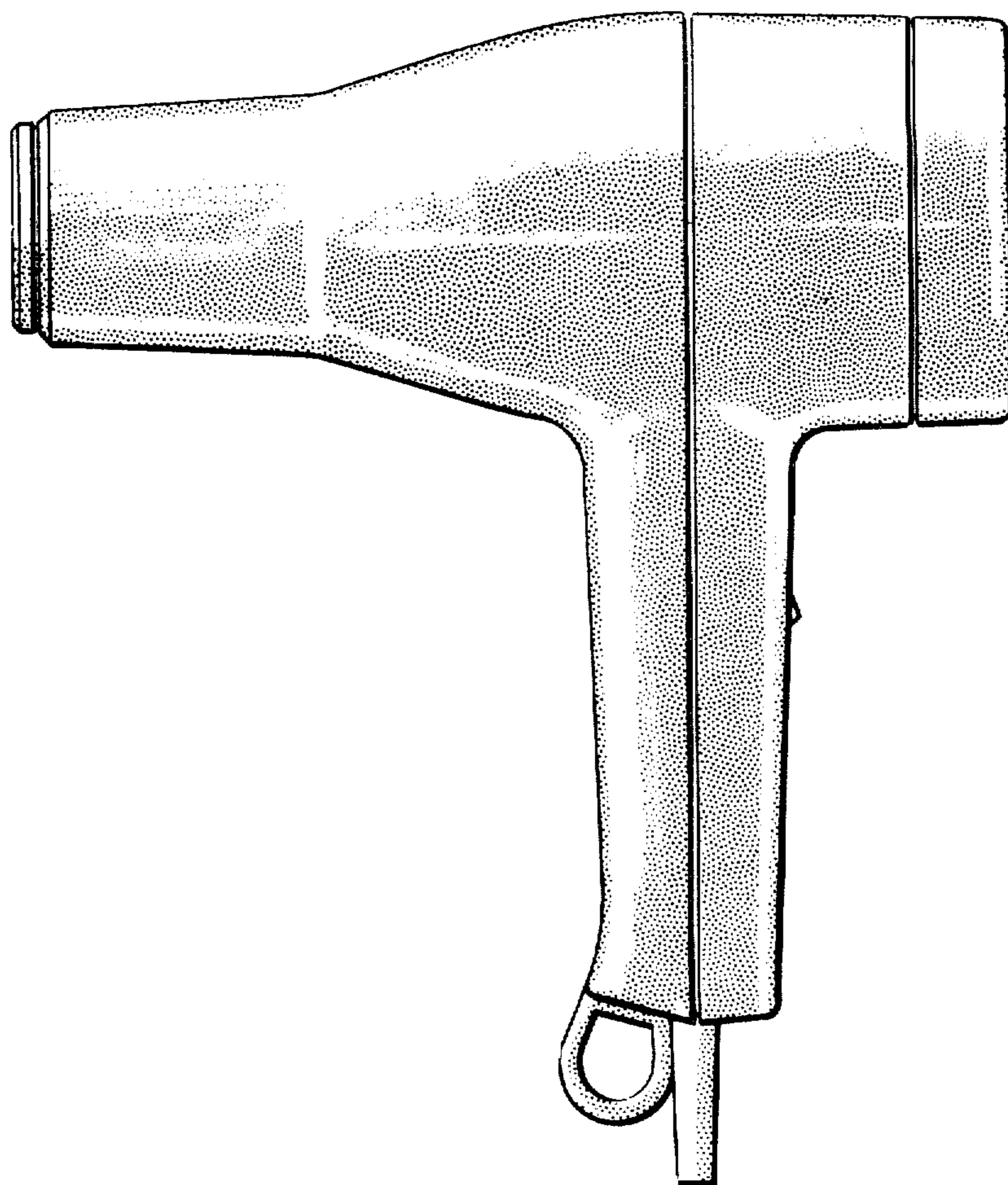


FIG. 2.

FIG. 3.

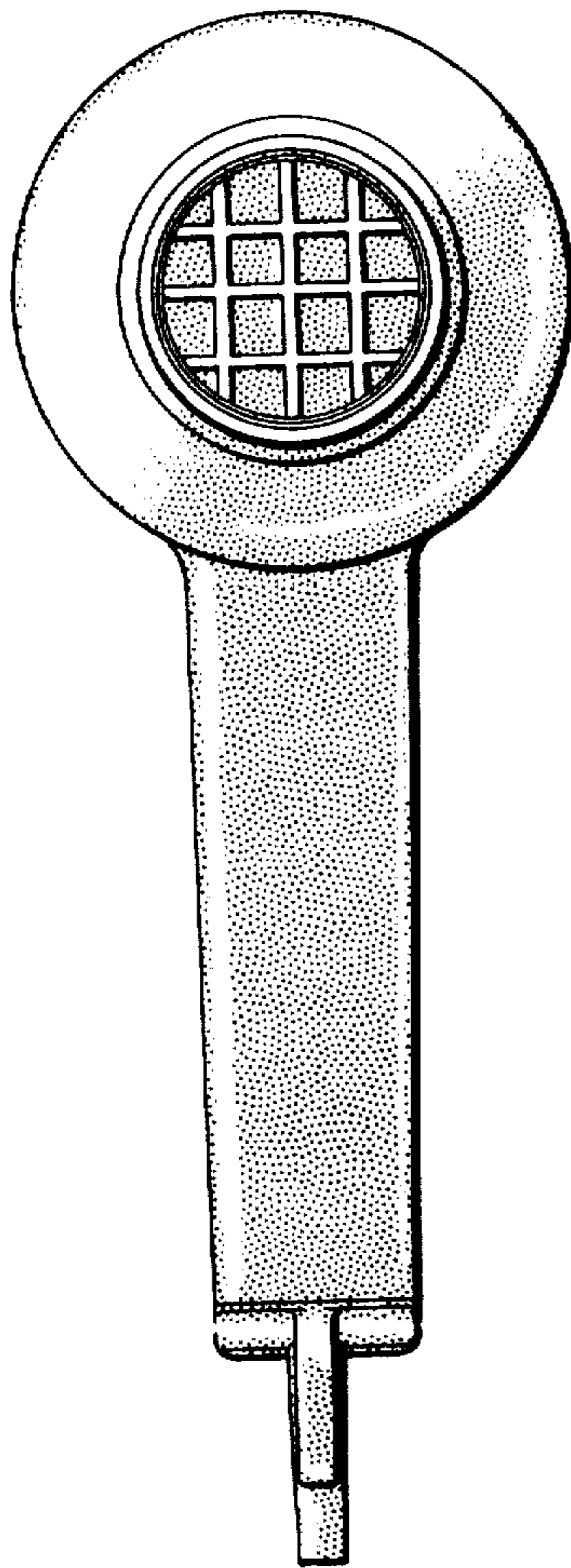


FIG. 4.

