

[54] SHOWER HEAD

[75] Inventor: Odo Klose, Wuppertal, Fed. Rep. of Germany

[73] Assignee: Friedrich Grohe Armaturenfabrik GmbH & Co., Hemer, Fed. Rep. of Germany

[**] Term: 14 Years

[21] Appl. No.: 257,280

[22] Filed: Apr. 24, 1981

[30] Foreign Application Priority Data

Nov. 6, 1980 [DE] Fed. Rep. of Germany MR 7109

[51] Int. Cl. D23-01

[52] U.S. Cl. D23/35

[58] Field of Search D23/34-38; 4/596, 601, 619; 239/282, 283, 310, 318, 380-383, 443-449, 499, 525, 529, 548, 551, 552, 556, 558-560, 563, 564, 567, 568, 581-583, 586-588, 590.3, 590.5

[56] References Cited

U.S. PATENT DOCUMENTS

D. 84,900	8/1931	Moran	D23/35
D. 91,825	3/1934	Isenberg	D23/35
D. 98,006	12/1935	Landgarten	D23/35
D. 118,419	1/1940	Rockwood	D23/35
D. 158,298	4/1950	Lehman	D23/35
D. 235,445	6/1975	MacKay et al.	D23/35
D. 235,997	7/1975	Johnson	D23/35
D. 251,679	4/1979	Kwan	D23/35
3,958,756	5/1976	Trenary et al.	239/444 X
4,219,160	8/1980	Allred, Jr.	239/447
4,303,201	12/1981	Elkins et al.	239/447 X

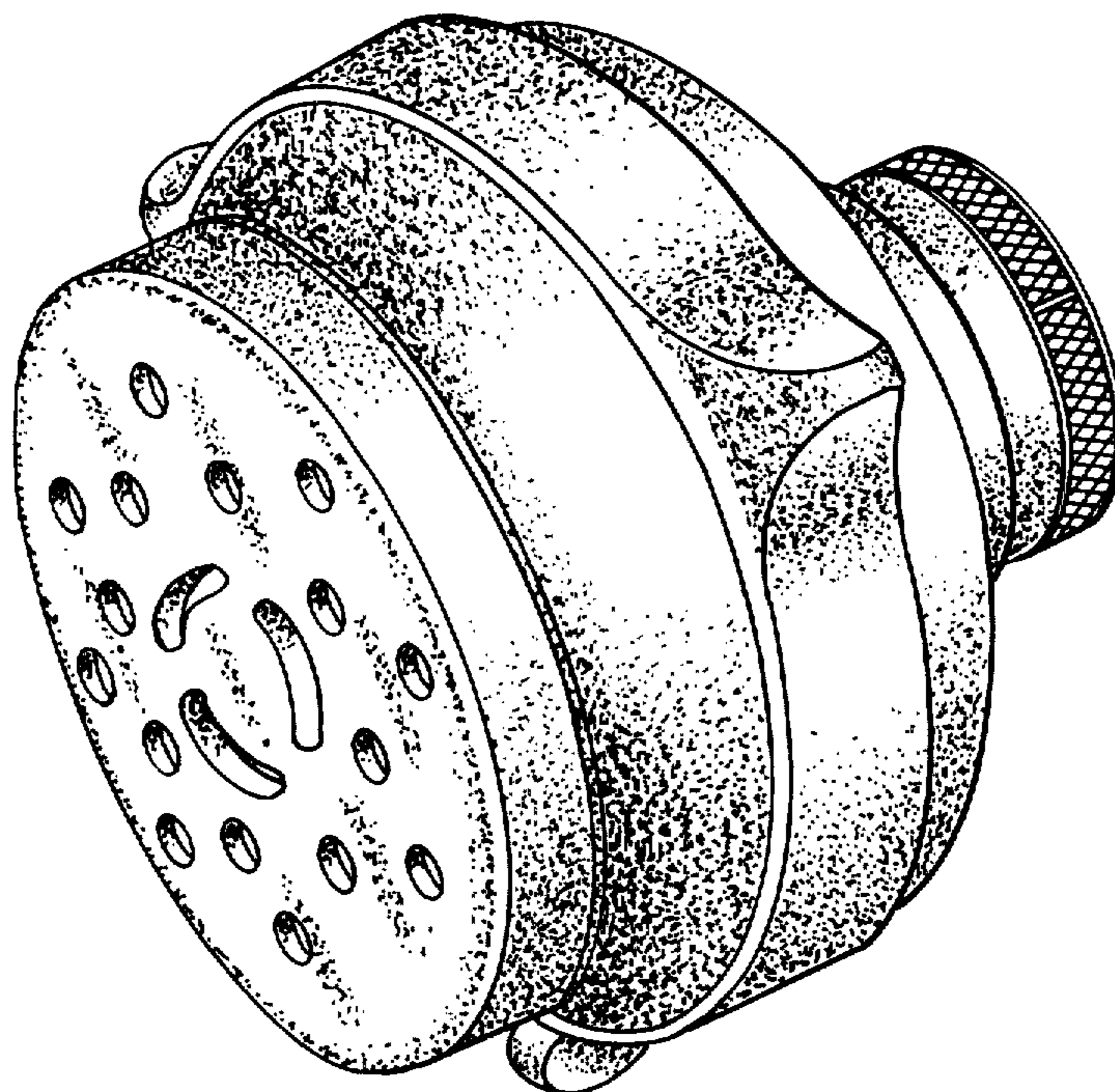
Primary Examiner—James R. Largent
Attorney, Agent, or Firm—James B. Raden; Donald J. Lenkszus

[57] CLAIM

The ornamental design for a shower head, substantially as shown and described.

DESCRIPTION

FIG. 1 is a front perspective view of a shower head showing my new design;
FIG. 2 is a front view thereof;
FIG. 3 is a side view thereof; and
FIG. 4 is a rear view thereof.



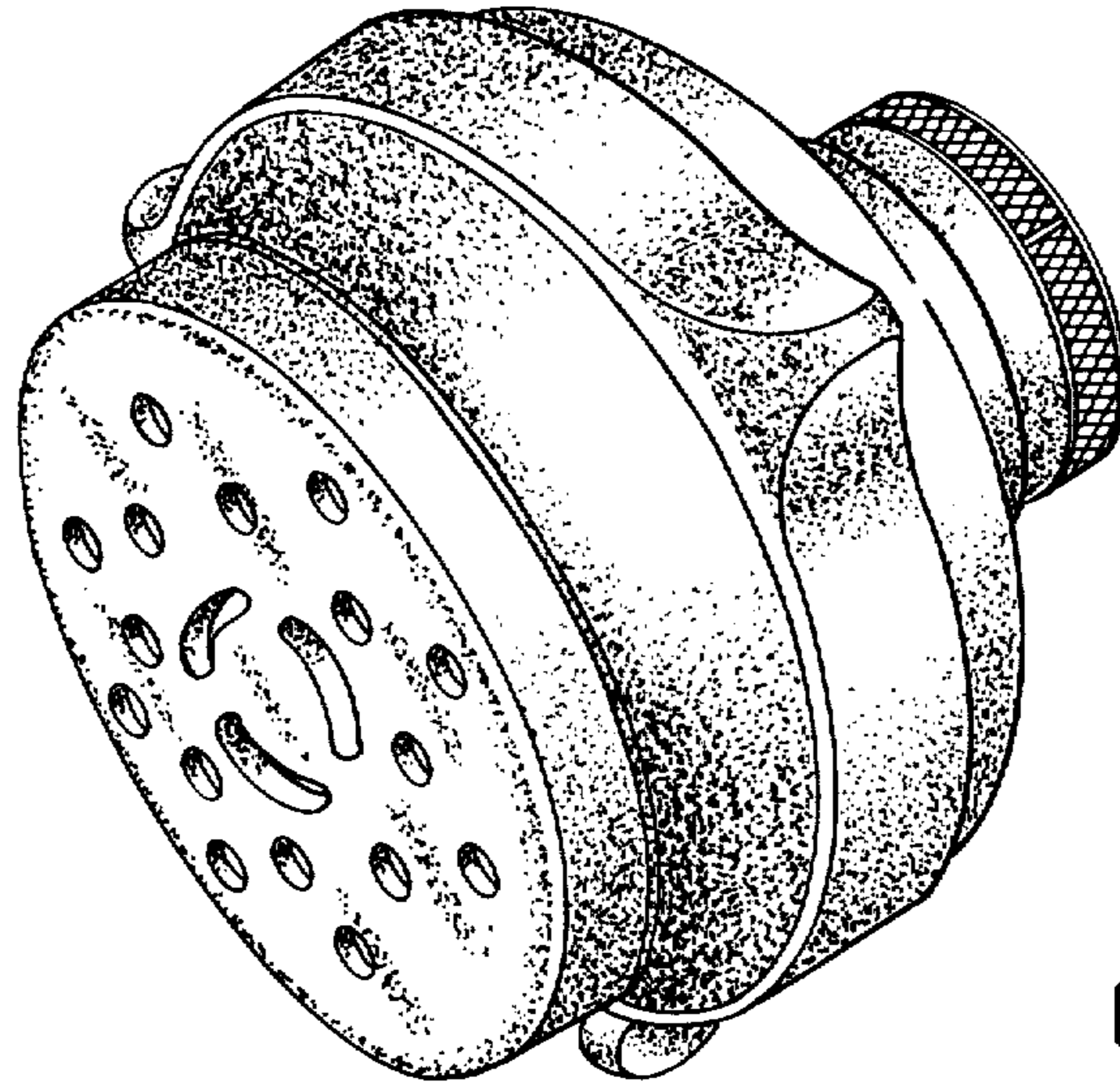


FIG. 1

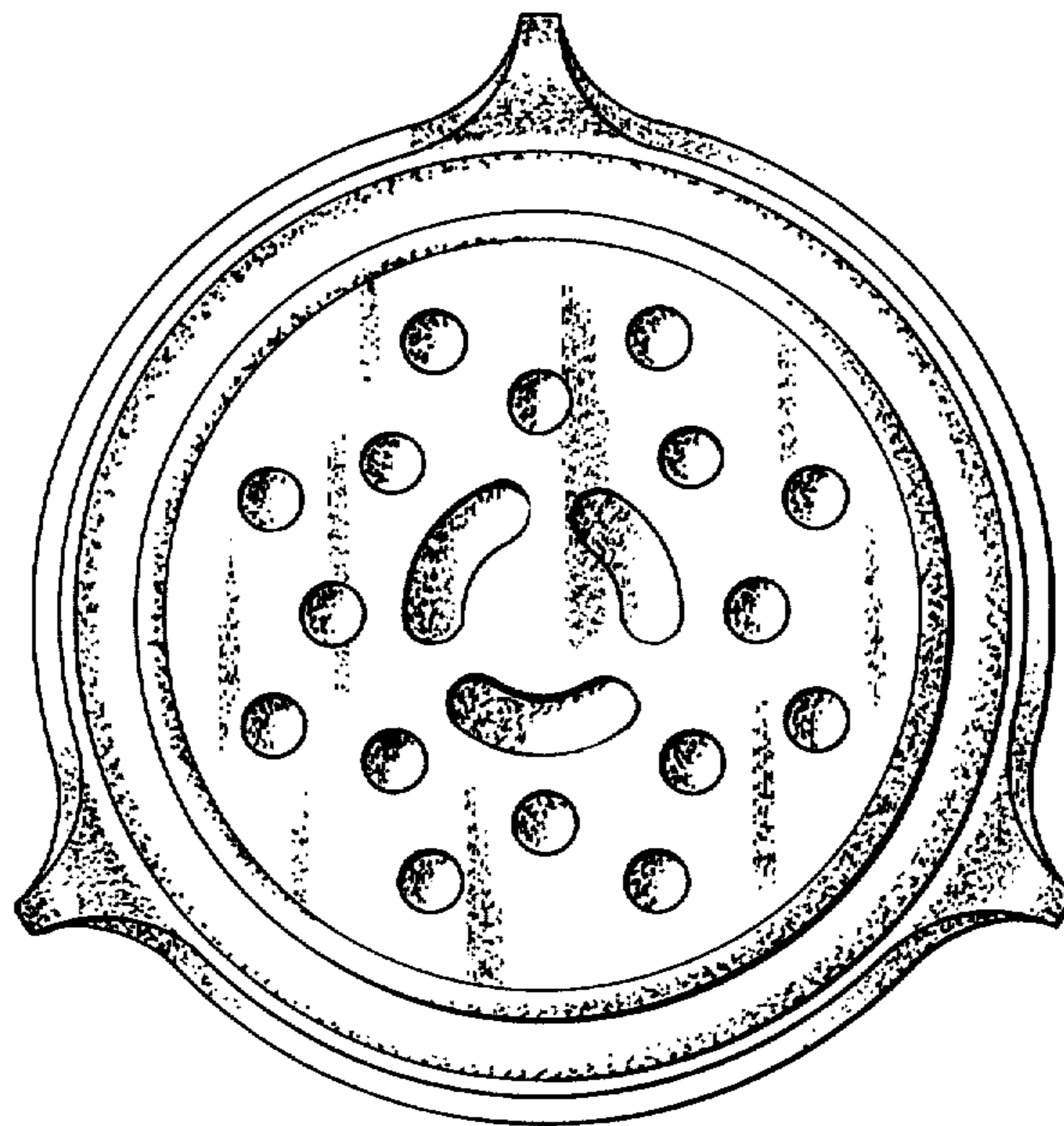


FIG. 2

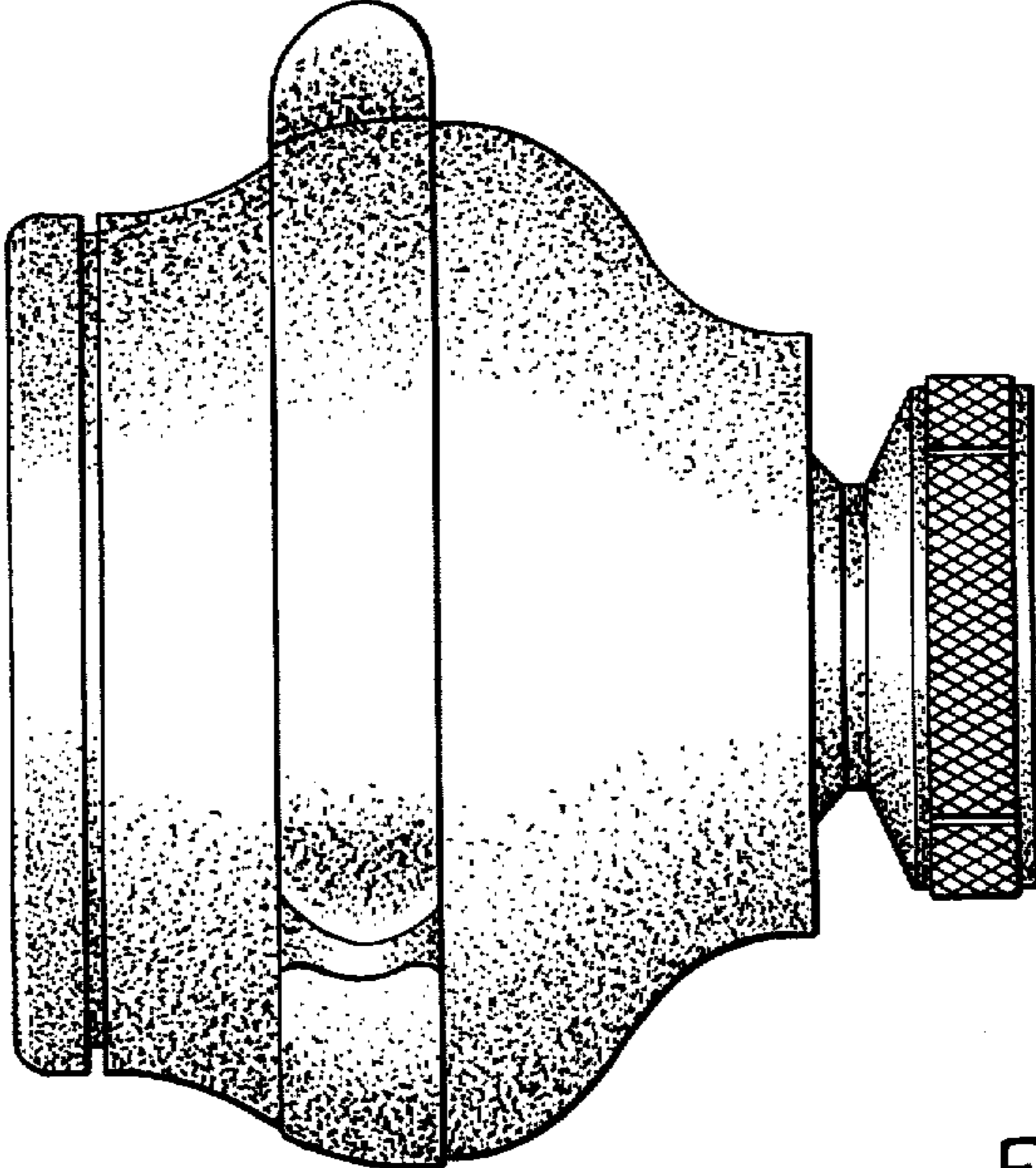


FIG. 3

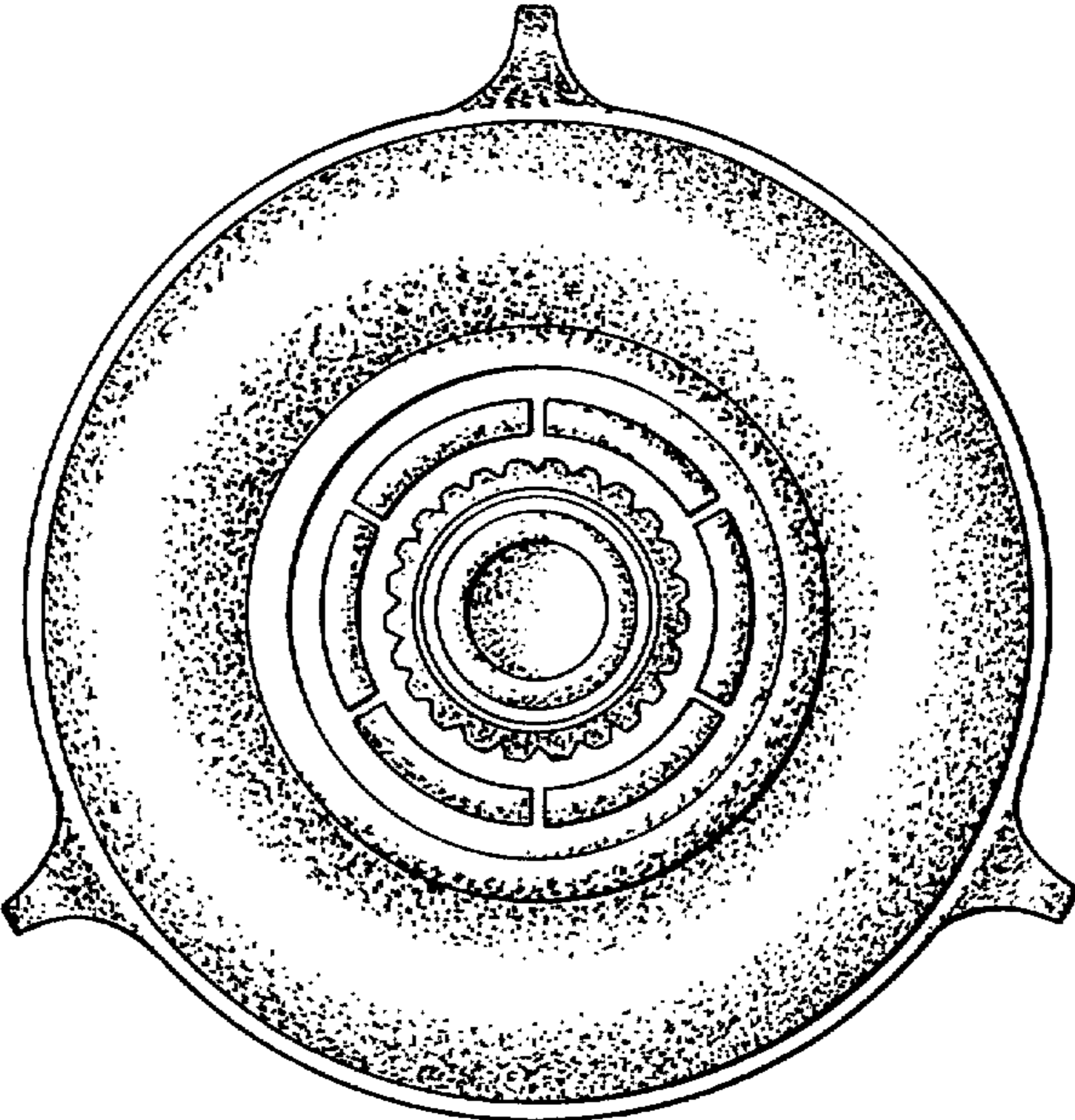


FIG. 4