

[54] HANDLE FOR A SANITARY FITTING OR SIMILAR ARTICLE

[75] Inventors: Dominic A. Saporito, Fanwood; Donald M. Genaro, Haworth, both of N.J.

[73] Assignee: American Standard Inc., New York, N.Y.

[\*\*] Term: 14 Years

[21] Appl. No.: 170,416

[22] Filed: Jul. 21, 1980

[51] Int. Cl. D23-01

[52] U.S. Cl. D23/28; D8/307; D8/312

[58] Field of Search D23/23-31; D8/307, 310-312; 16/121

[56] References Cited

U.S. PATENT DOCUMENTS

D. 101,826 11/1936 Sinko D23/28 X

D. 217,668 5/1970 Rowlands D23/28  
D. 227,251 6/1973 Botefur et al. D23/28  
D. 227,566 7/1973 Thorp D23/28  
D. 227,567 7/1973 Thorp D23/28  
D. 261,223 10/1981 Scholl D8/310 X  
3,249,990 5/1966 Schlago 16/121 X

Primary Examiner—James R. Largen  
Attorney, Agent, or Firm—James J. Salerno, Jr.; Robert G. Crooks; John P. Sinnott

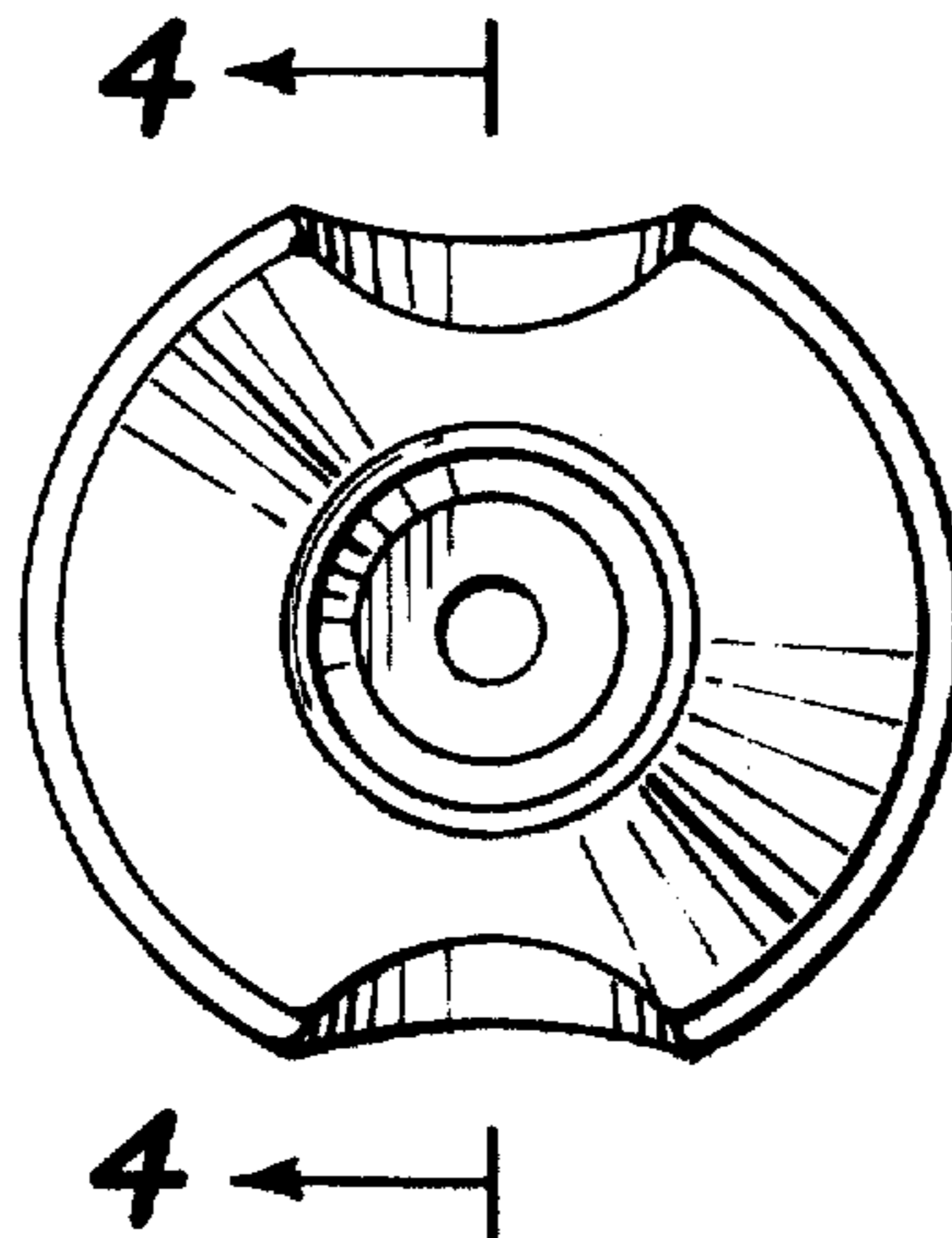
[57] CLAIM

The ornamental design for a handle for a sanitary fitting or similar article, substantially as shown and described.

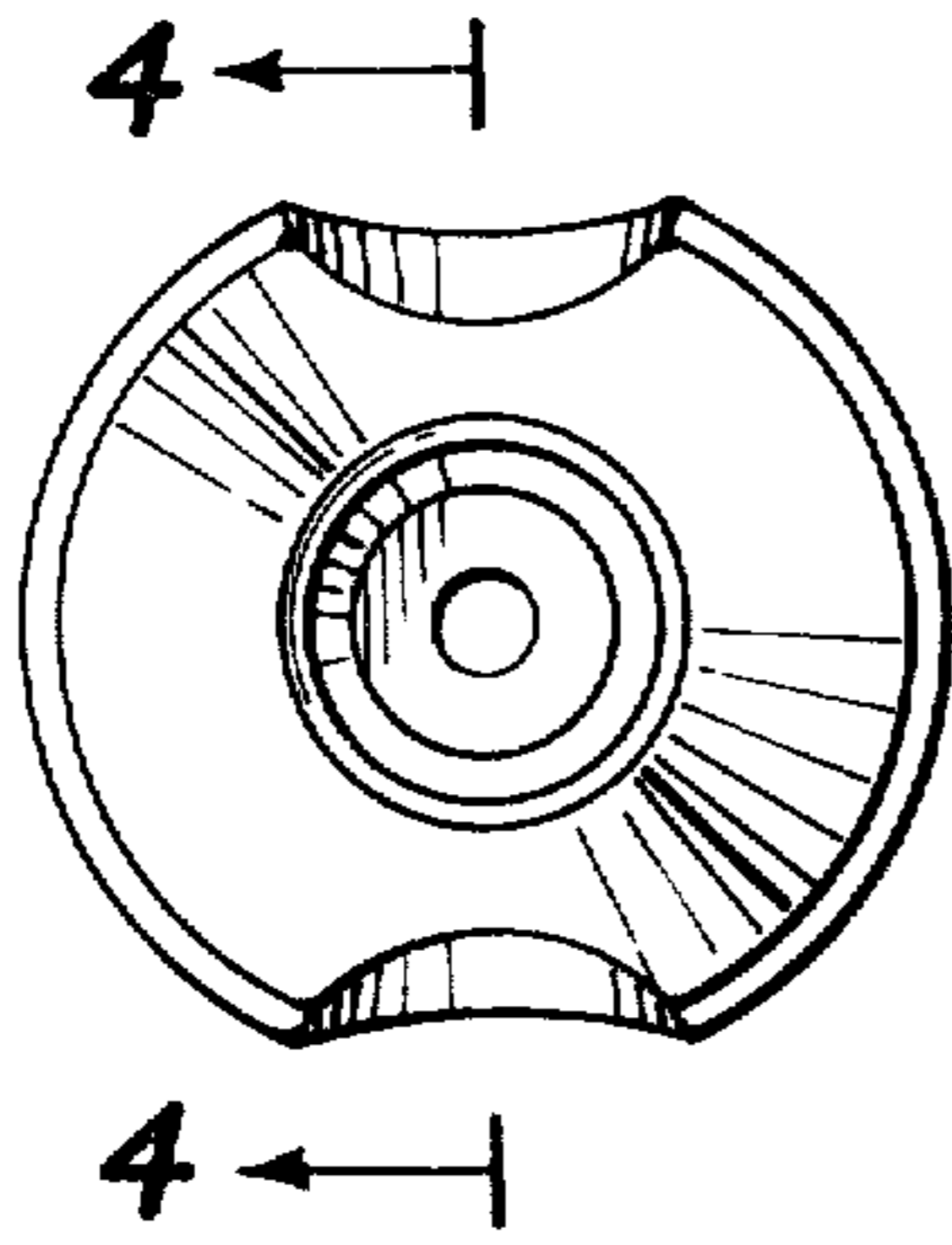
DESCRIPTION

FIG. 1 is a top plan view of a handle for a sanitary fitting or similar article embodying our new design; FIG. 2 is a bottom plan view thereof; FIG. 3 is a side elevational view thereof; and FIG. 4 is a cross sectional view taken on line 4-4 of FIG. 1.

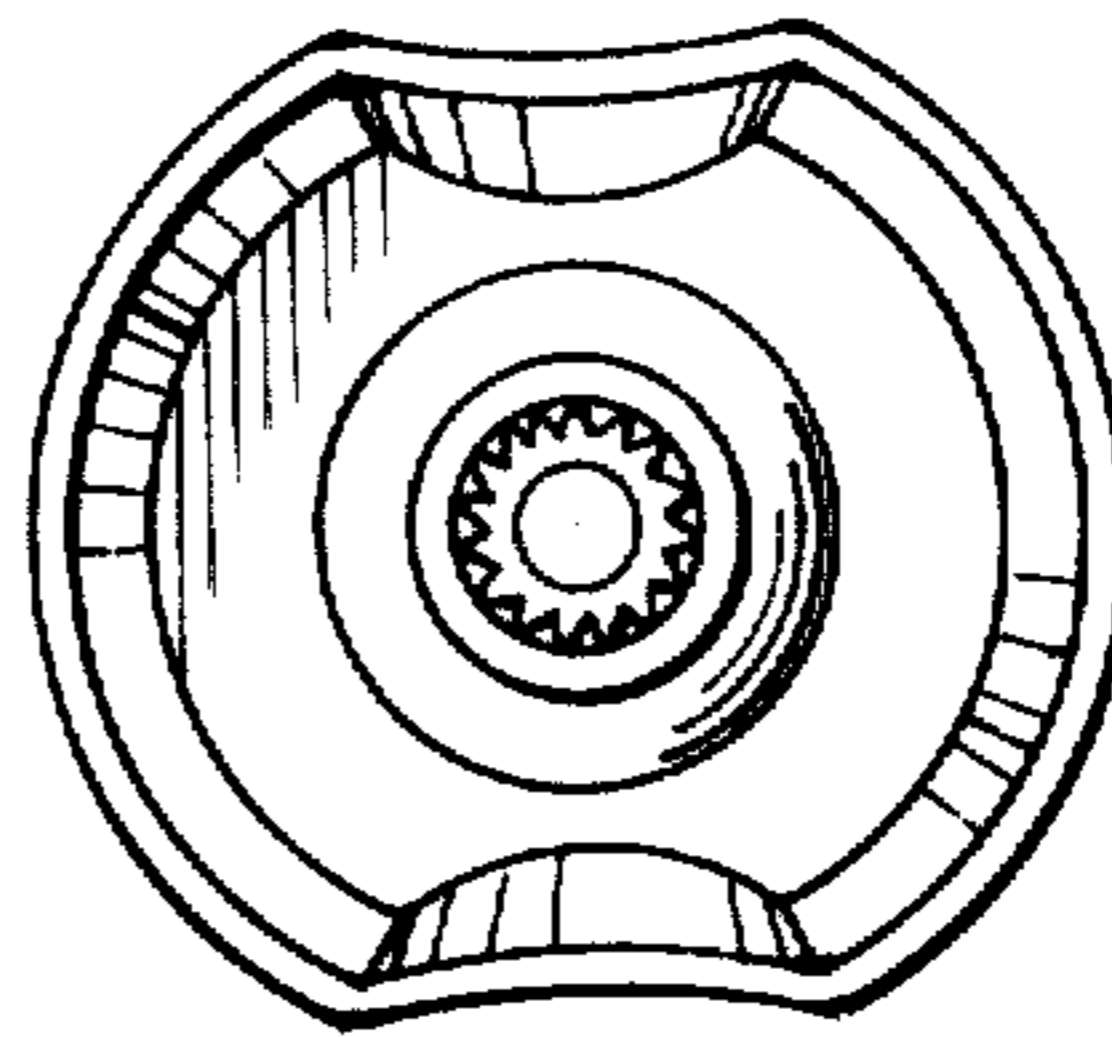
The broken line representation of a cover cap in FIGS. 3 and 4 is for purposes of illustration only.



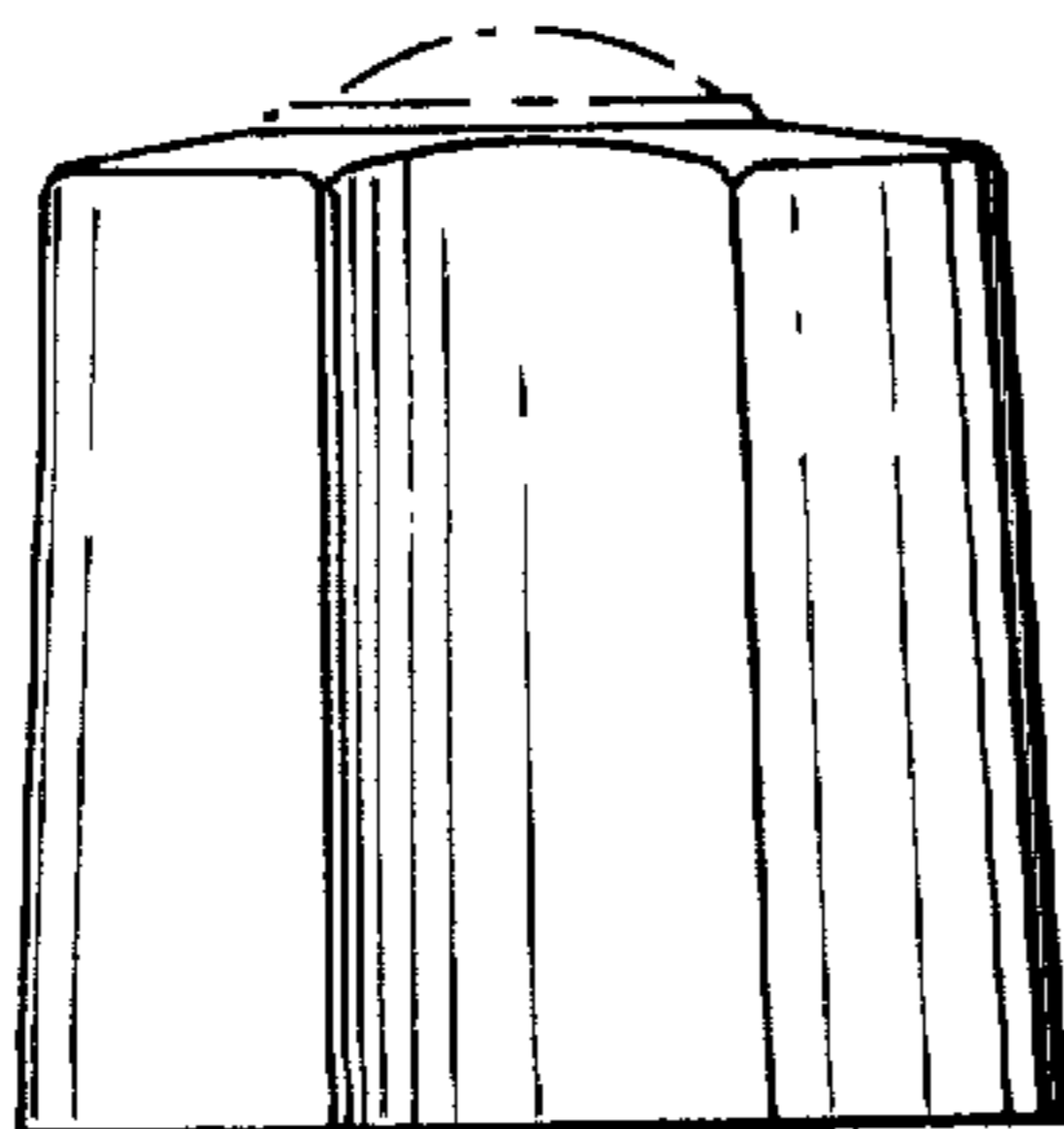
**FIG. 1**



**FIG. 2**



**FIG. 3**



**FIG. 4**

