

[54] **SUSPENSION BAR FOR HANGING FILES**

[75] **Inventor:** Vytautas K. Beleckis, East Longmeadow, Mass.

[73] **Assignee:** Dennison National Company, Holyoke, Mass.

[**] **Term:** 14 Years

[21] **Appl. No.:** 238,050

[22] **Filed:** Feb. 25, 1981

[51] **Int. Cl.** **D19-04**

[52] **U.S. Cl.** **D19/91; D19/32; D19/75**

[58] **Field of Search** **D19/75, 90, 91; 402/38, 402/4; 312/184; 211/43, 162; D3/30.1**

[56] **References Cited**

U.S. PATENT DOCUMENTS

D. 248,484	7/1978	Hedstrom et al.	D19/75
3,865,445	2/1975	Dean et al.	312/184
4,056,296	11/1977	Hedstrom et al.	312/184
4,285,555	8/1981	Hedstrom et al.	312/184

Primary Examiner--George P. Word
Attorney, Agent, or Firm--Chapin, Neal & Dempsey

[57] **CLAIM**

The ornamental design of a suspension bar for hanging files, as shown.

DESCRIPTION

FIG. 1 is a perspective view of a suspension bar for hanging files showing my new design; FIG. 2 is a rear elevational view thereof; FIG. 3 is a bottom plan view thereof; FIG. 4 is a left end elevational view thereof; and FIG. 5 is a right end elevational view thereof.

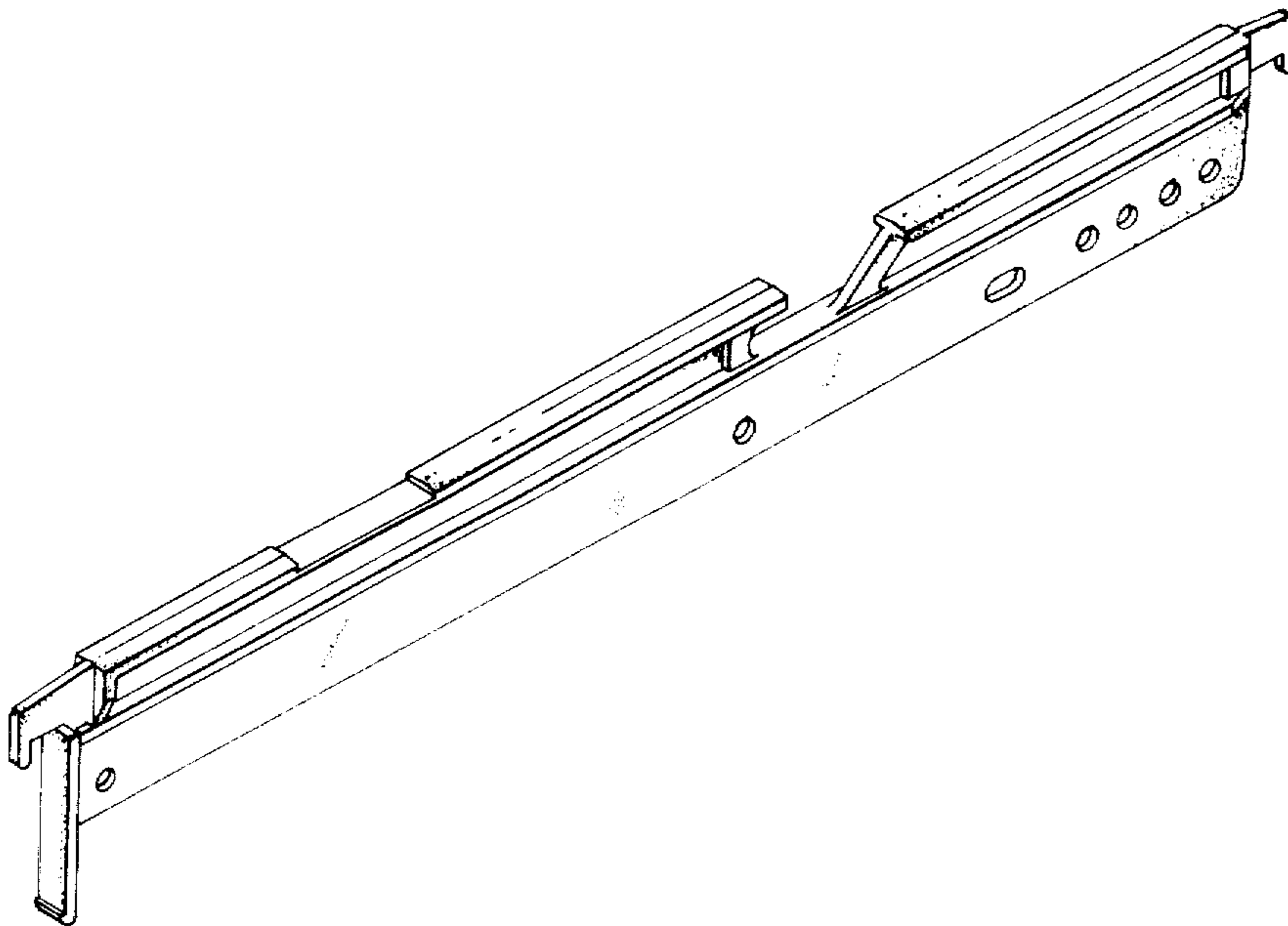


Fig. 1.

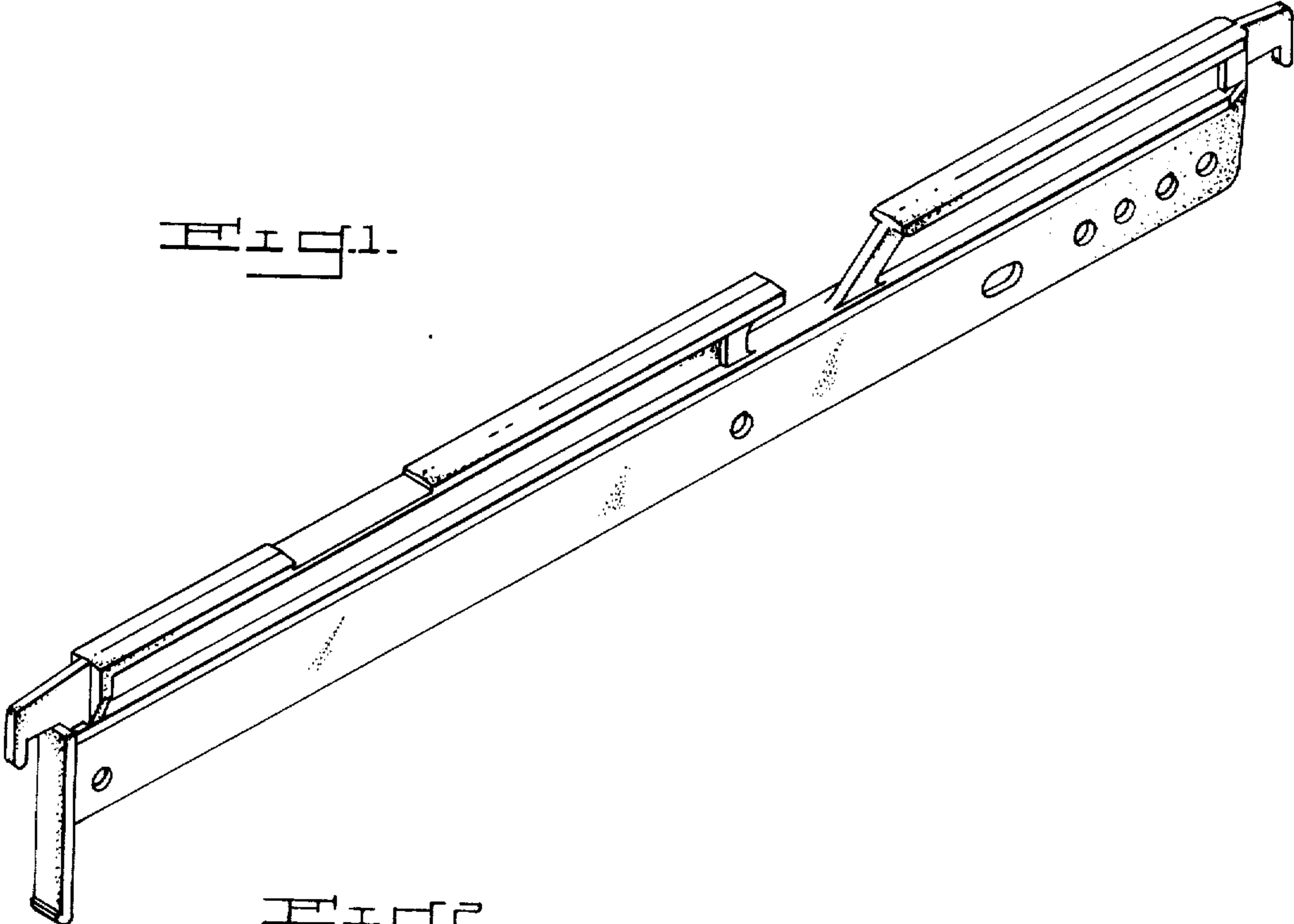


Fig. 2.

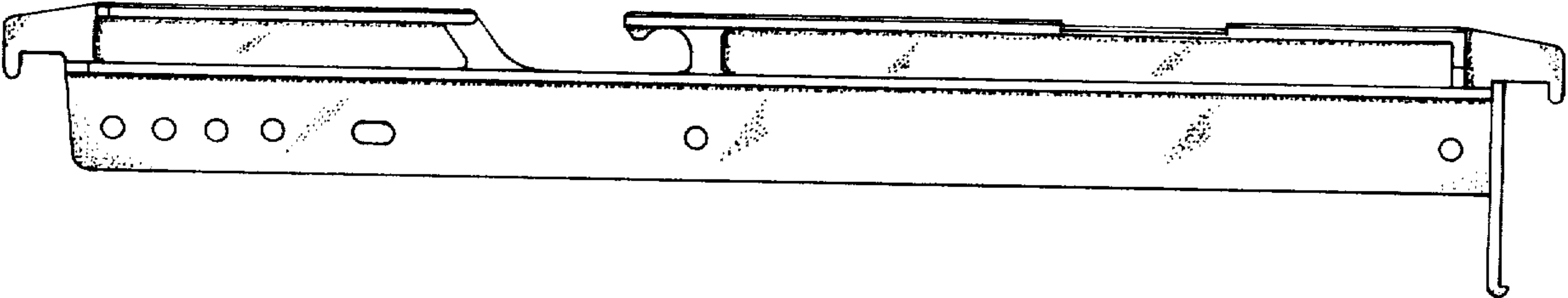


Fig. 3.

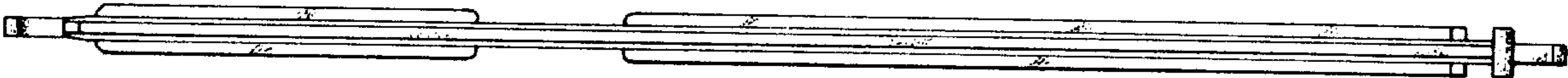


Fig. 4.



Fig. 5.