

[54] STAND FOR A PORTABLE TRANSCEIVER OR SIMILAR ARTICLE

[75] Inventors: Donald M. Genaro, Haworth, N.J.; John N. McGarvey, Drexel Hill, Pa.; Daniel W. Tyler, Middletown, N.J.

[73] Assignee: Bell Telephone Laboratories, Incorporated, Murray Hill, N.J.

[**] Term: 14 Years

[21] Appl. No.: 213,678

[22] Filed: Dec. 5, 1980

[51] Int. Cl. D14-03

[52] U.S. Cl. D14/52; D14/60; D14/68; D14/94

[58] Field of Search D14/53, 94, 52, 60, D14/68, 58, 95; 179/178, 179, 100 R; 325/119, 16, 118, 361, 364, 353

[56] References Cited

U.S. PATENT DOCUMENTS

- D. 237,506 11/1975 Genaro et al. D14/60
- D. 248,758 8/1978 Krolopp et al. D14/52 X
- D. 252,570 8/1979 Genaro et al. D14/60

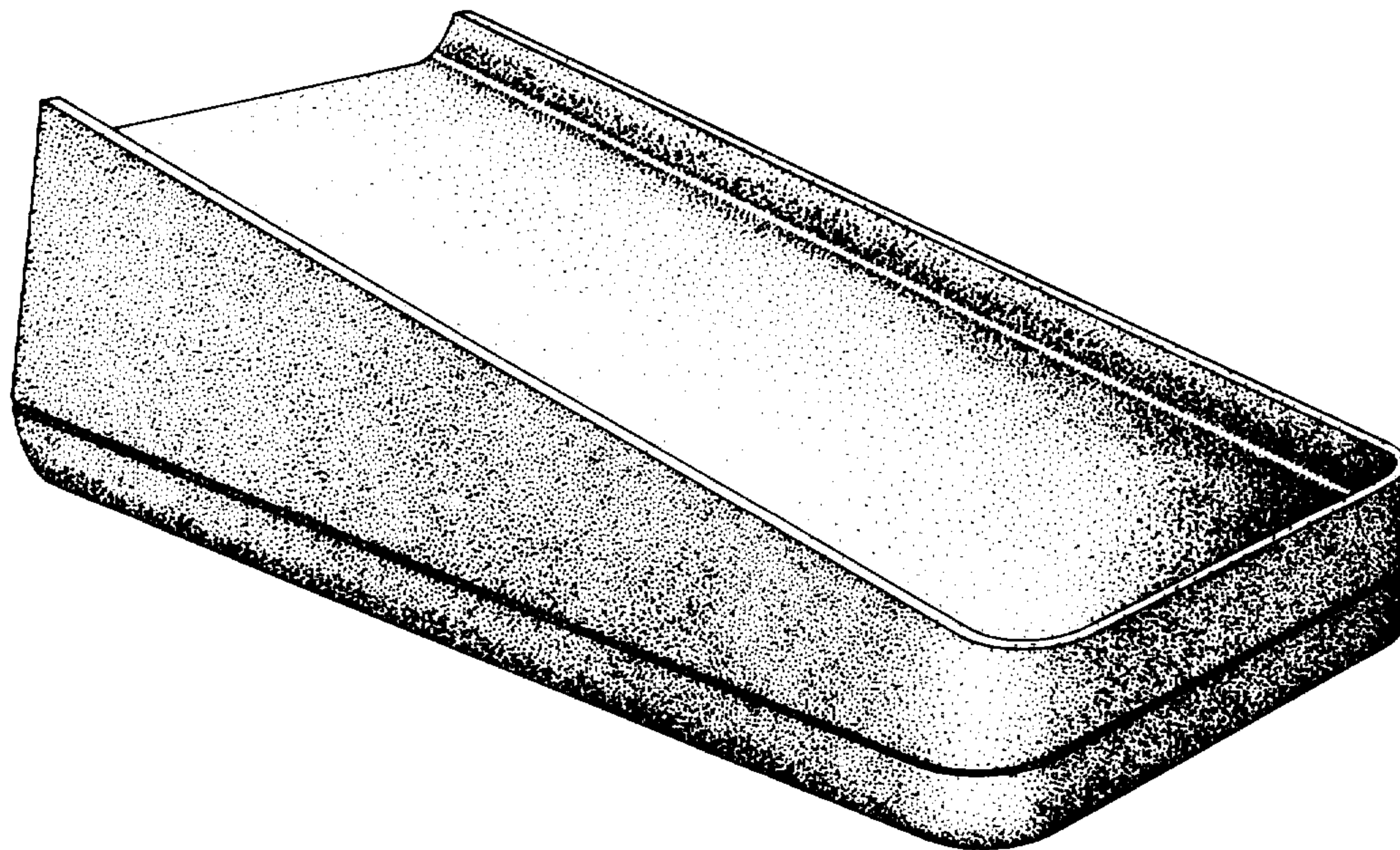
Primary Examiner—Bernard Ansher
Attorney, Agent, or Firm—H. L. Newman

[57] CLAIM

The ornamental design for a stand for a portable transceiver or similar article, substantially as shown and described.

DESCRIPTION

FIG. 1 is a perspective view of a stand for a portable transceiver or similar article showing our new design; FIG. 2 is a rear and left side perspective view thereof; FIG. 3 is a left side perspective view, the other side being a mirror image of the side shown; FIG. 4 is a front elevation view thereof; and FIG. 5 is a top plan view thereof.



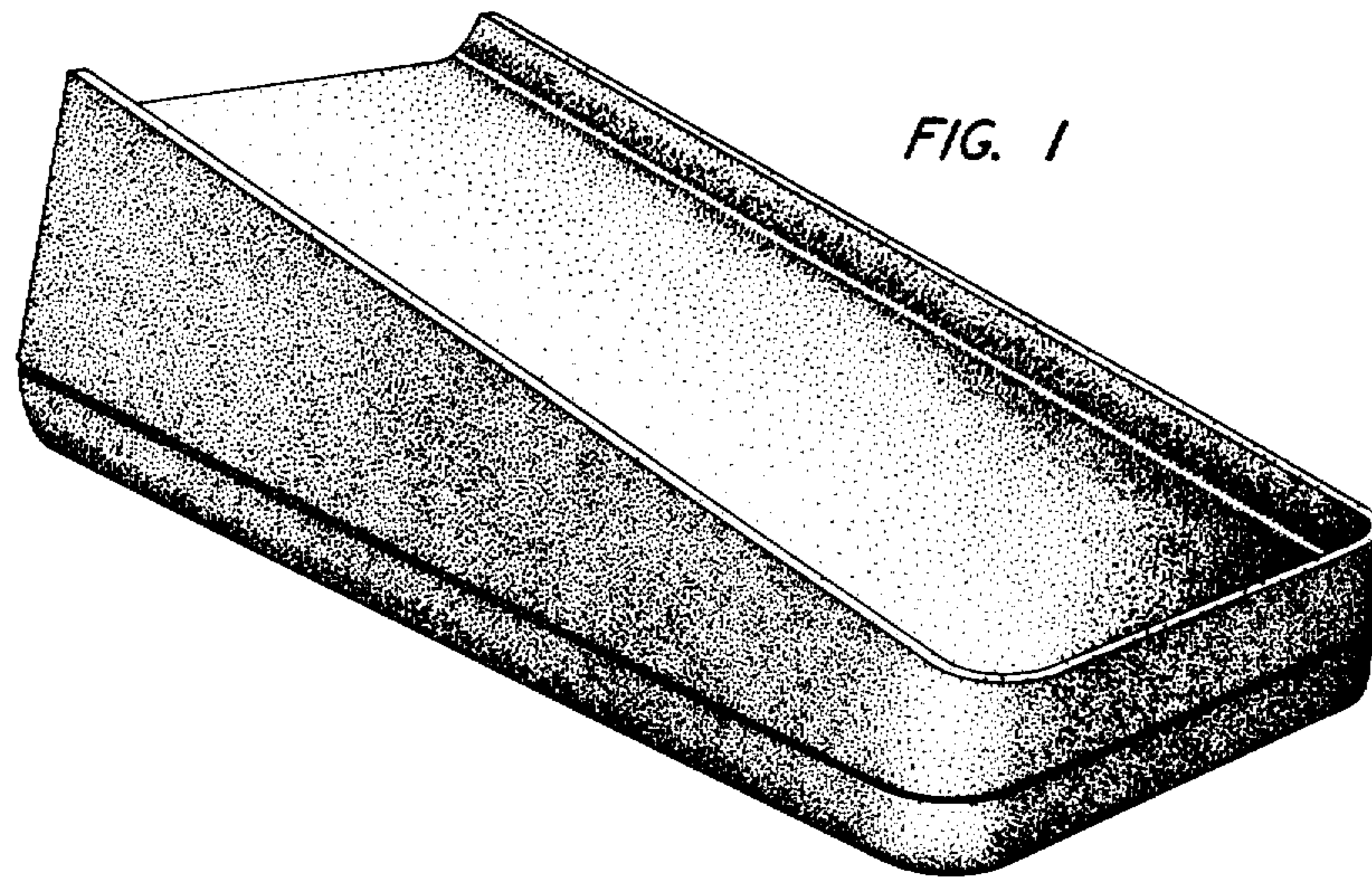


FIG. 2

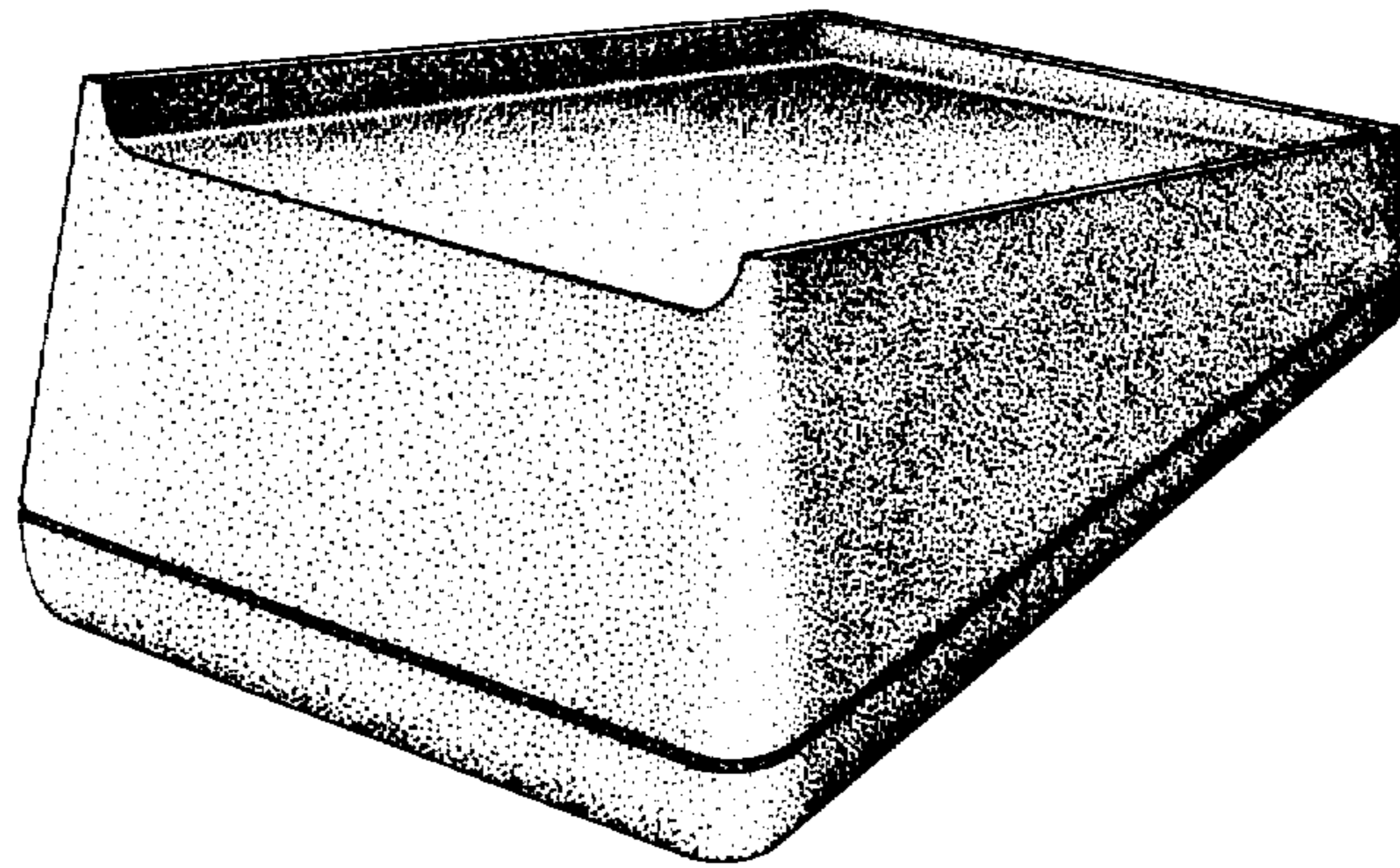


FIG. 3

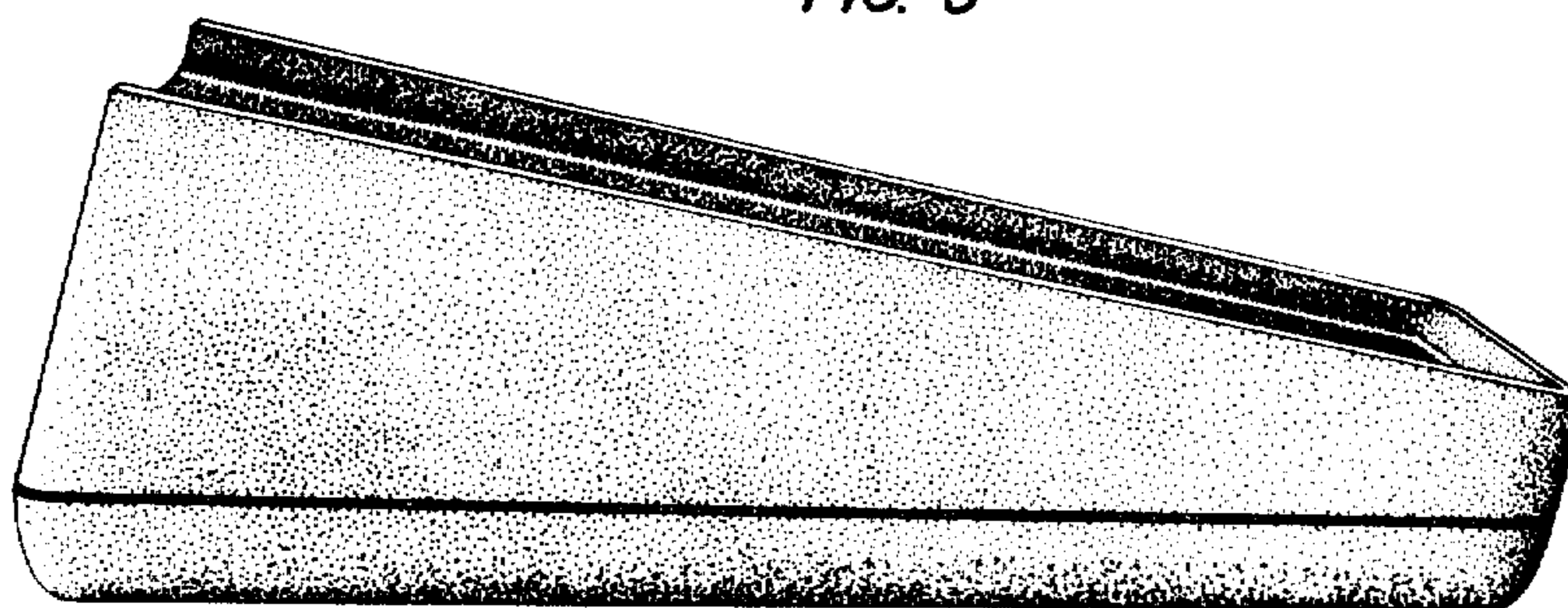


FIG. 4



FIG. 5

