

[54] FLAG HOLDER

[76] Inventor: Rundlette K. Palmer, P.O. Box 82, Newcastle, Me. 04553

[**] Term: 14 Years

[21] Appl. No.: 229,775

[22] Filed: Jan. 29, 1981

[51] Int. Cl. D11-05

[52] U.S. Cl. D11/183; D6/125

[58] Field of Search D11/165-167, D11/181-183; D6/125; 116/173-175; 248/511, 512, 538

[56] References Cited

U.S. PATENT DOCUMENTS

D. 46,349 9/1914 Redd D11/183

2,298,744 10/1942 Liermann D11/183
2,322,600 6/1943 Stahler D11/182

Primary Examiner—Louis S. Zarfes
Attorney, Agent, or Firm—Jacobi, Siegel, Presta,
Marzullo & Aronson

[57] CLAIM

The ornamental design for a flag holder, as shown and described.

DESCRIPTION

FIG. 1 is a perspective view of a flag holder showing my new design;
FIG. 2 is an elevational view of the rear thereof;
FIG. 3 is an elevational view of the right side thereof, the left side being a mirror image;
FIG. 4 is a plan view of the top thereof; and
FIG. 5 is a plan view of the bottom thereof.

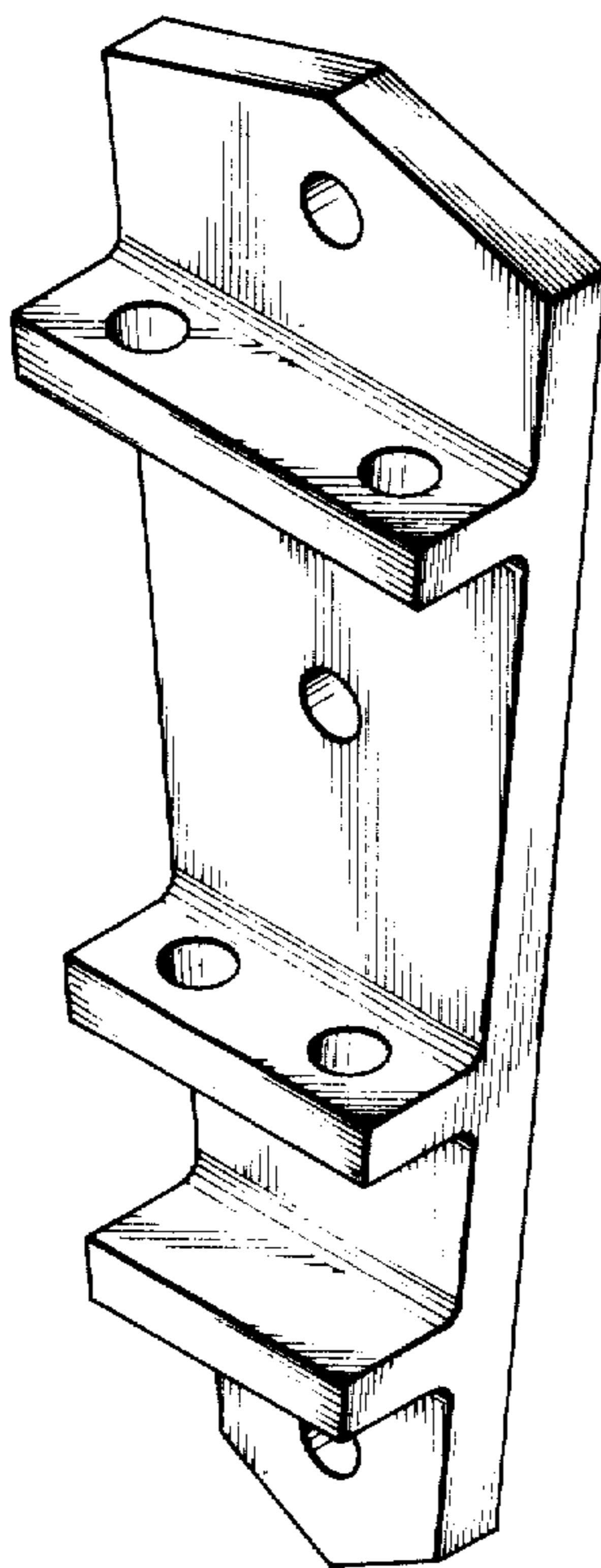


FIG.1

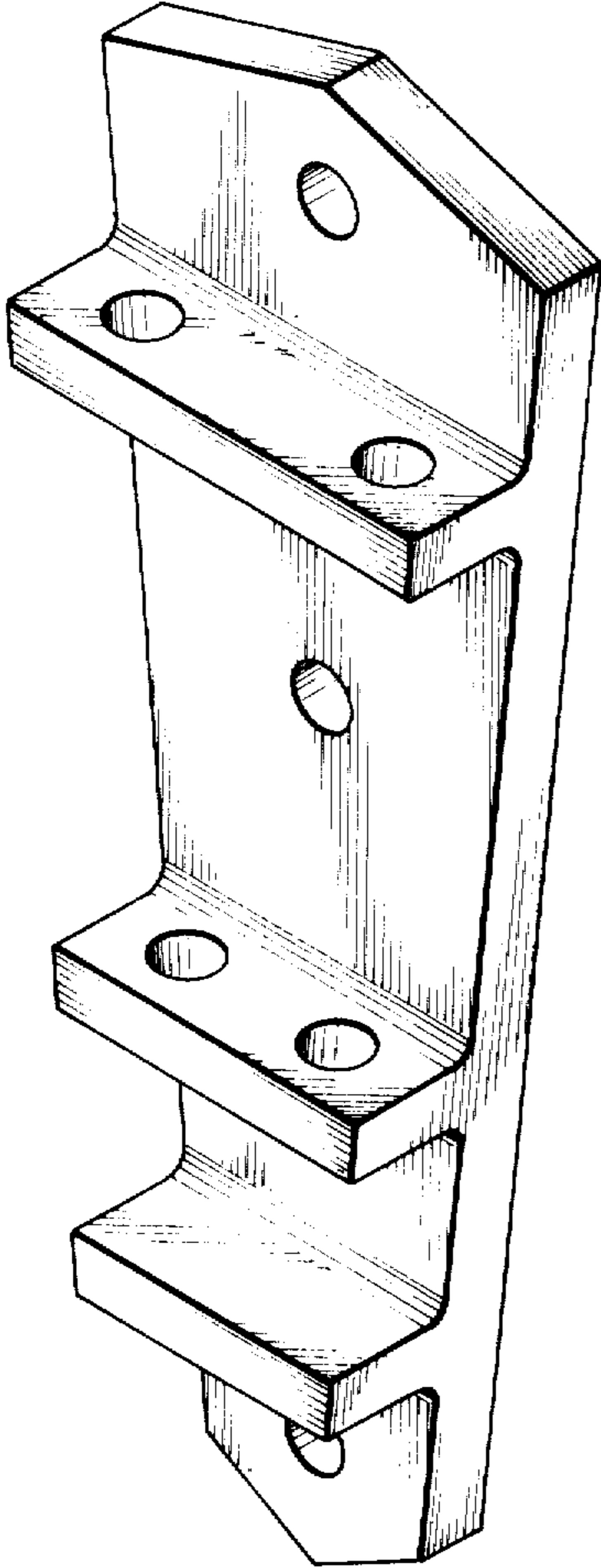


FIG.2

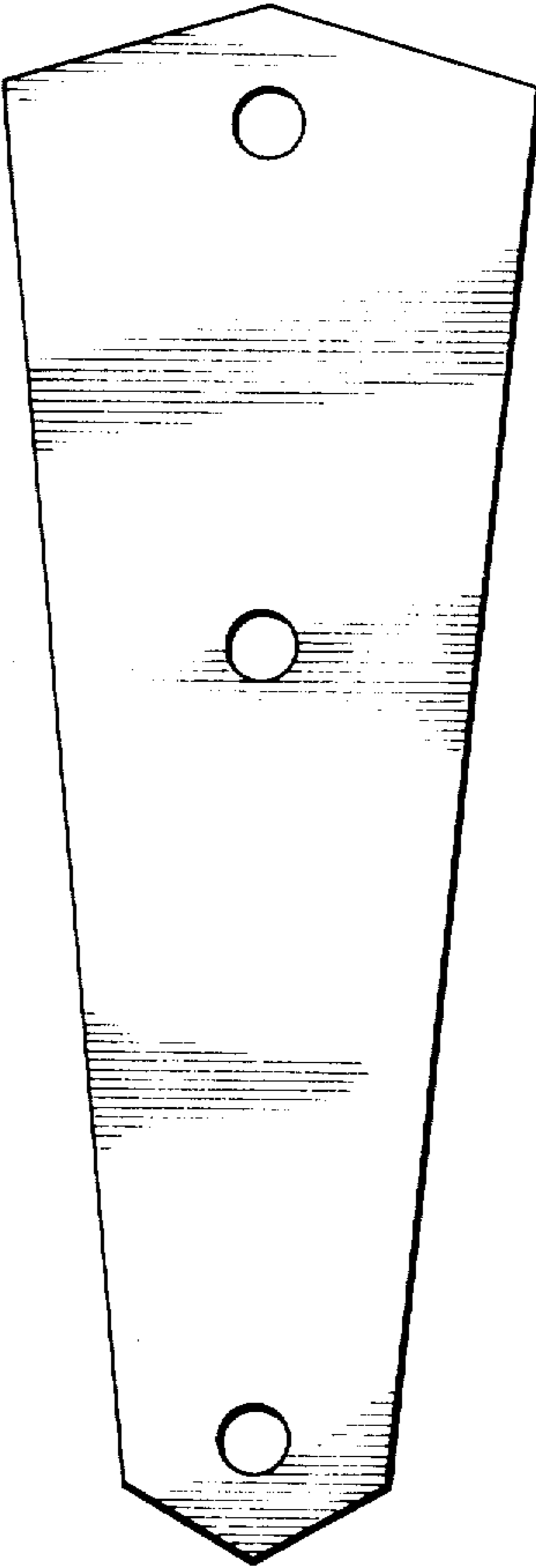


FIG.3

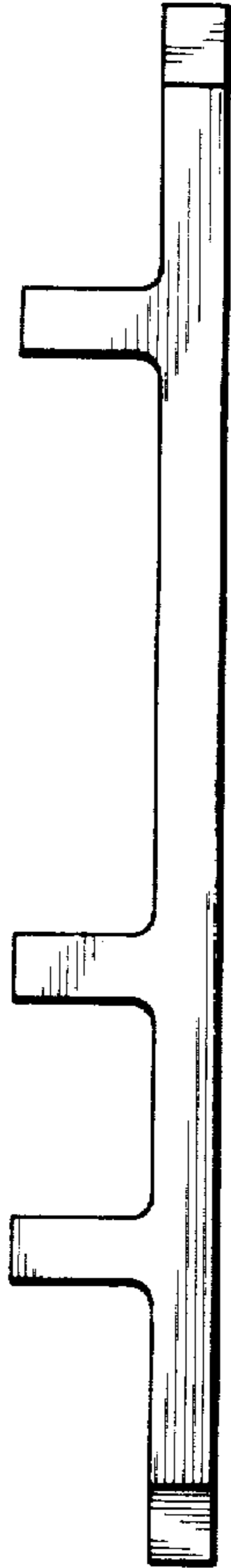


FIG.4

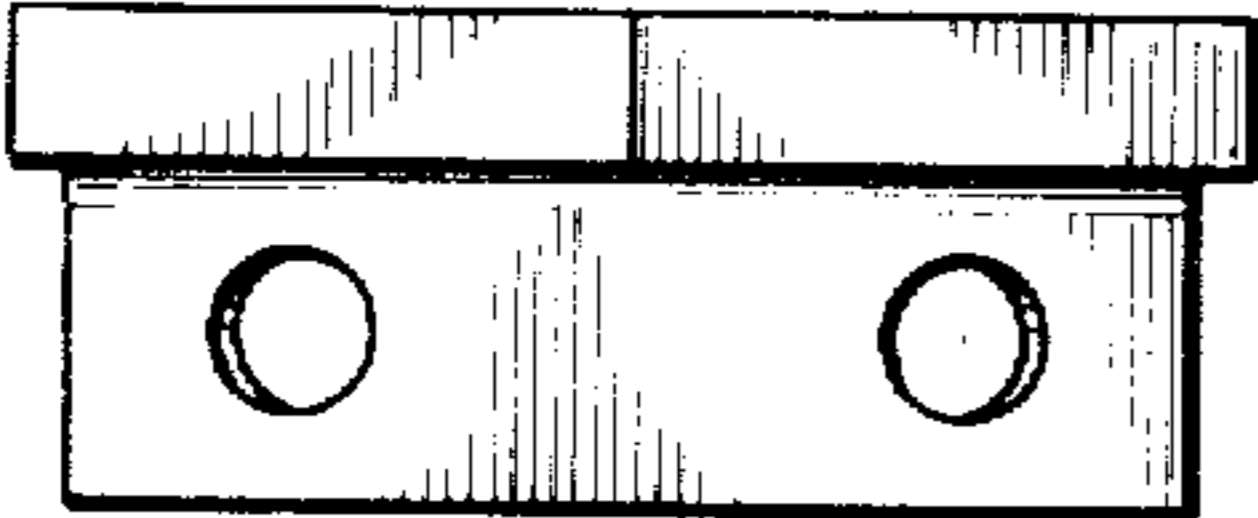


FIG.5

