

[54] PLANTER UNIT

[75] Inventors: Abraham I. Tenzer; Jes S. Baru, both of Altamonte Springs, Fla.

[73] Assignee: Dart Industries Inc., Northbrook, Ill.

[**] Term: 14 Years

[21] Appl. No.: 898,368

[22] Filed: Apr. 21, 1978

[51] Int. Cl. D11-02

[52] U.S. Cl. D11/152; D11/143

[58] Field of Search D11/143-149, D11/151-156, 164; 47/66-69, 71, 72, 79-83, 85-87; 206/423; D7/2.3, 81

[56] References Cited

U.S. PATENT DOCUMENTS

D. 242,161	11/1976	Dziewulki	47/71
D. 245,408	8/1977	Baumann et al.	D11/155
289,102	11/1883	Holden	D11/155
2,799,972	7/1957	Teixeira	47/66
3,676,953	7/1972	Delogne	47/39

OTHER PUBLICATIONS

Hawkinson Porcelain Cat., 11/1940, p. 19, crescent vase, HC7/3.

Luwasa Plantsystem Brochure, 1/1977, p. 1, planter.

Primary Examiner—B. J. Bullock

Attorney, Agent, or Firm—Leigh B. Taylor

[57] CLAIM

The ornamental design for a planter unit, substantially as shown and described.

DESCRIPTION

FIG. 1 is a front perspective view of a planter unit showing our new design;

FIG. 2 is a rear perspective view of FIG. 1;

FIG. 3 is a perspective view of a second embodiment of the design of FIG. 1, the only difference being the number and arrangement of the crescent elements;

FIG. 4 is a top plan view of FIG. 1;

FIG. 5 is a bottom plan view of FIG. 1;

FIG. 6 is a top plan view of a third embodiment of the design of FIG. 1, the only difference between FIG. 6 and FIG. 3 being the arrangement of the crescent elements;

FIG. 7 is a top plan view of FIG. 3;

FIG. 8 is an enlarged sectional view taken in the direction of the arrows on line 8-8 of FIG. 4.

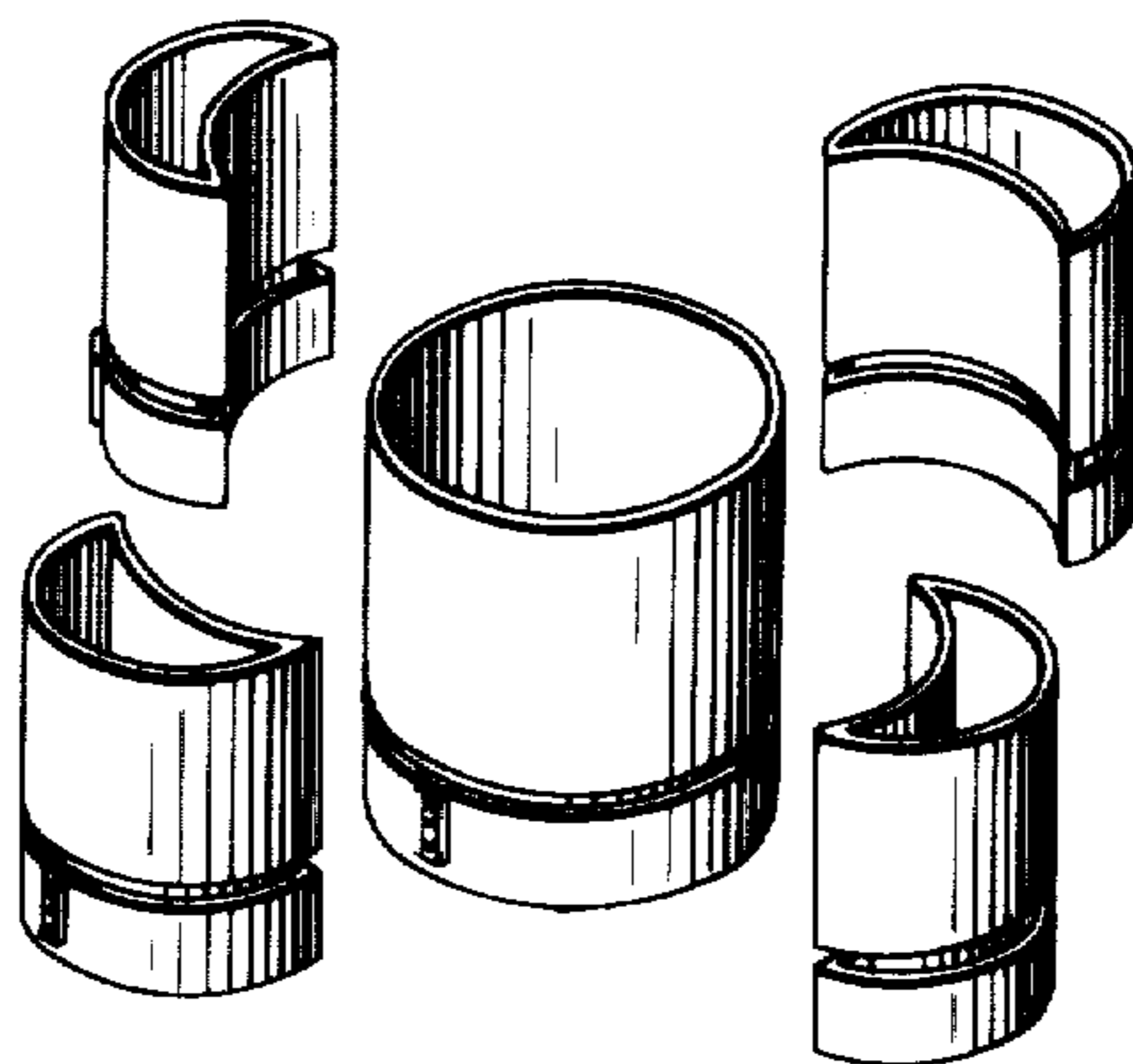
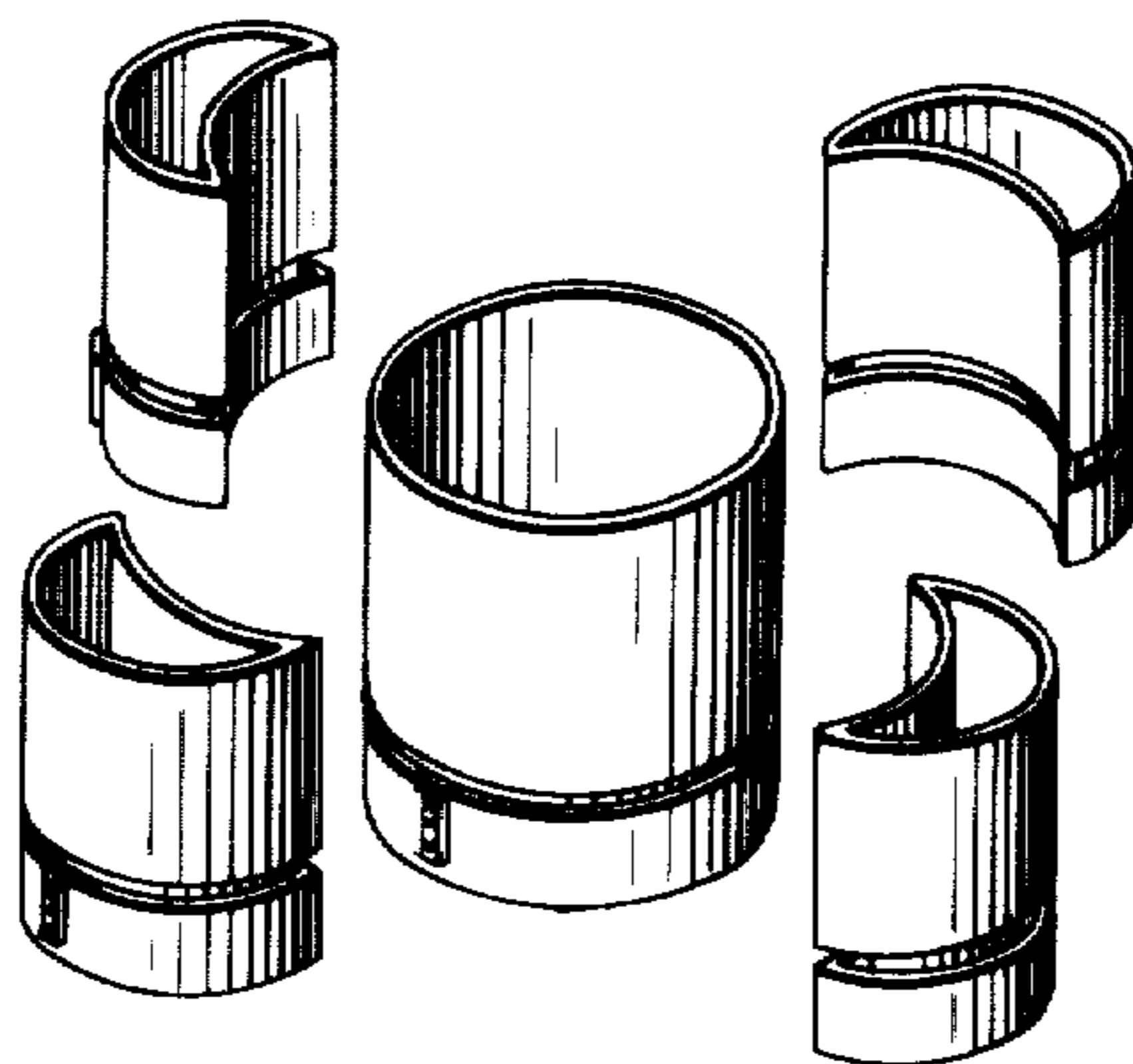
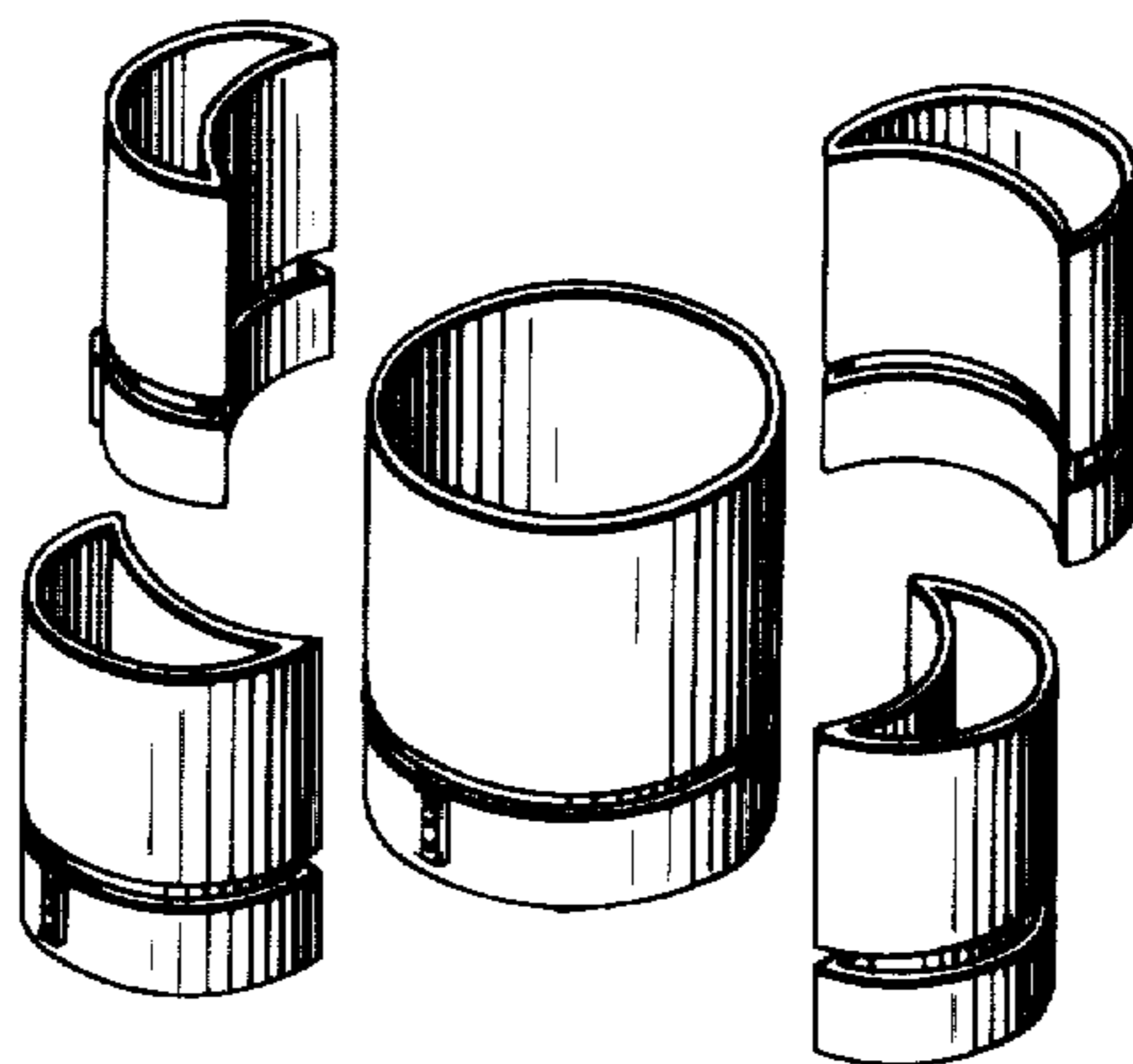
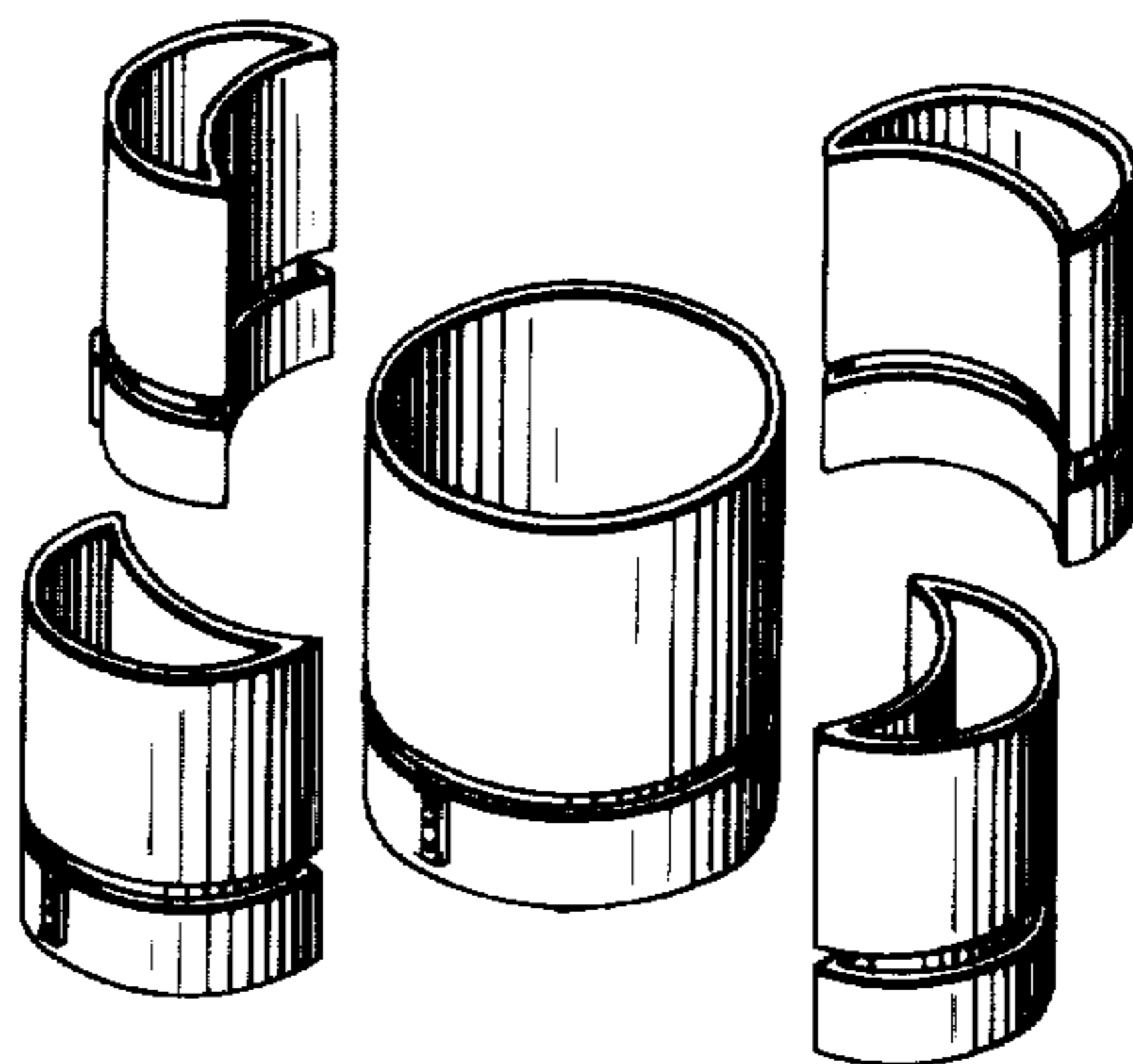
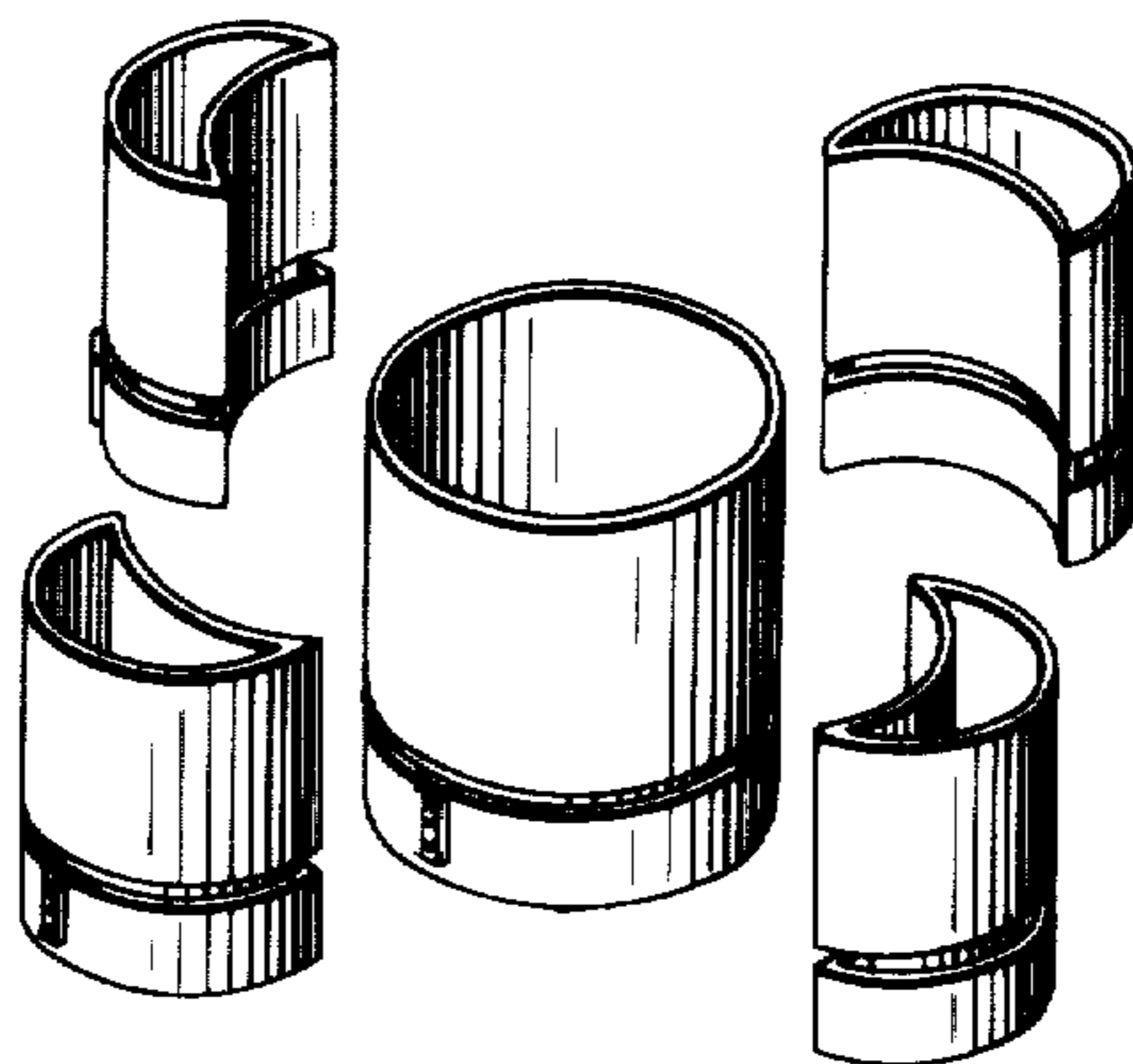
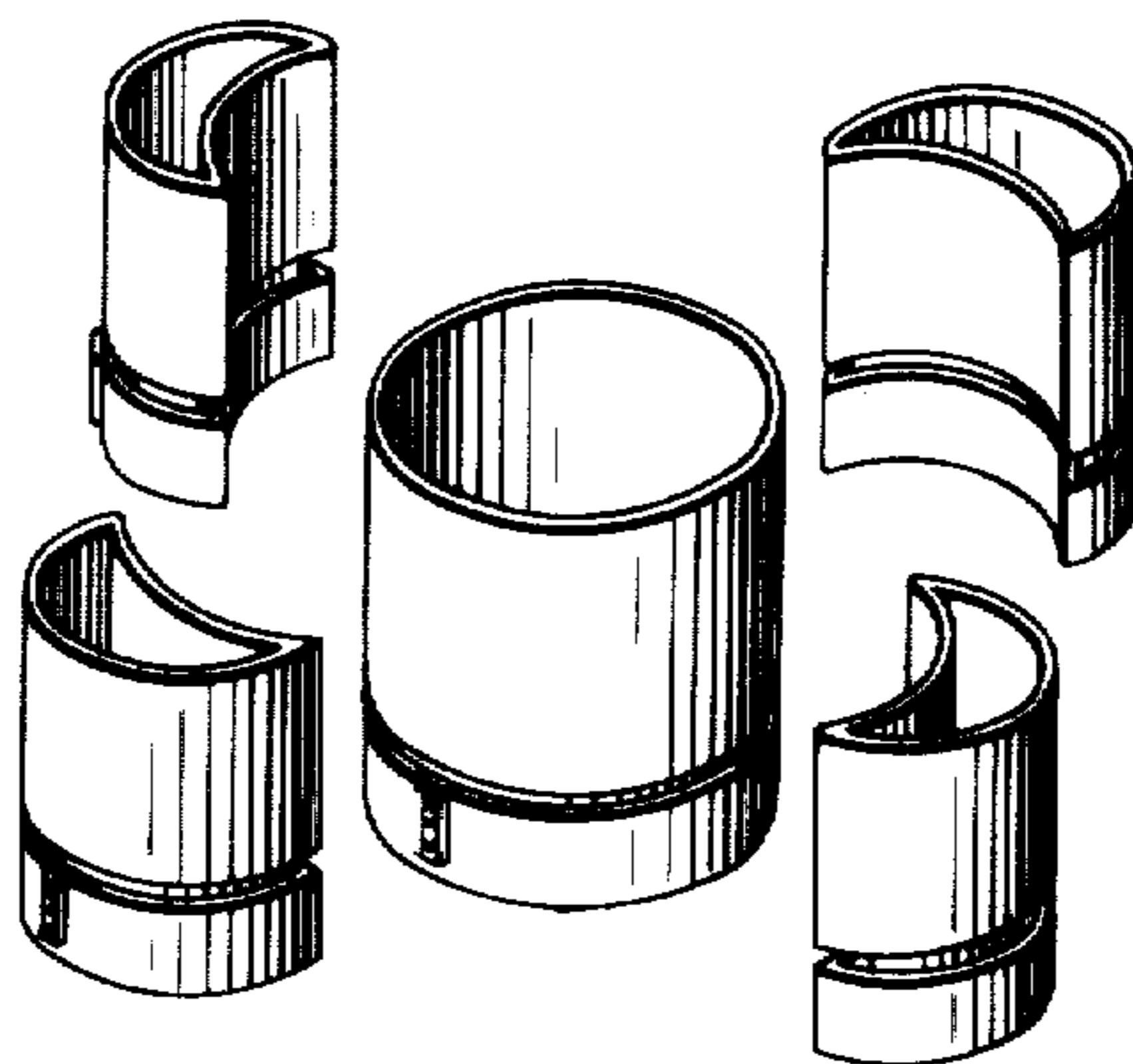
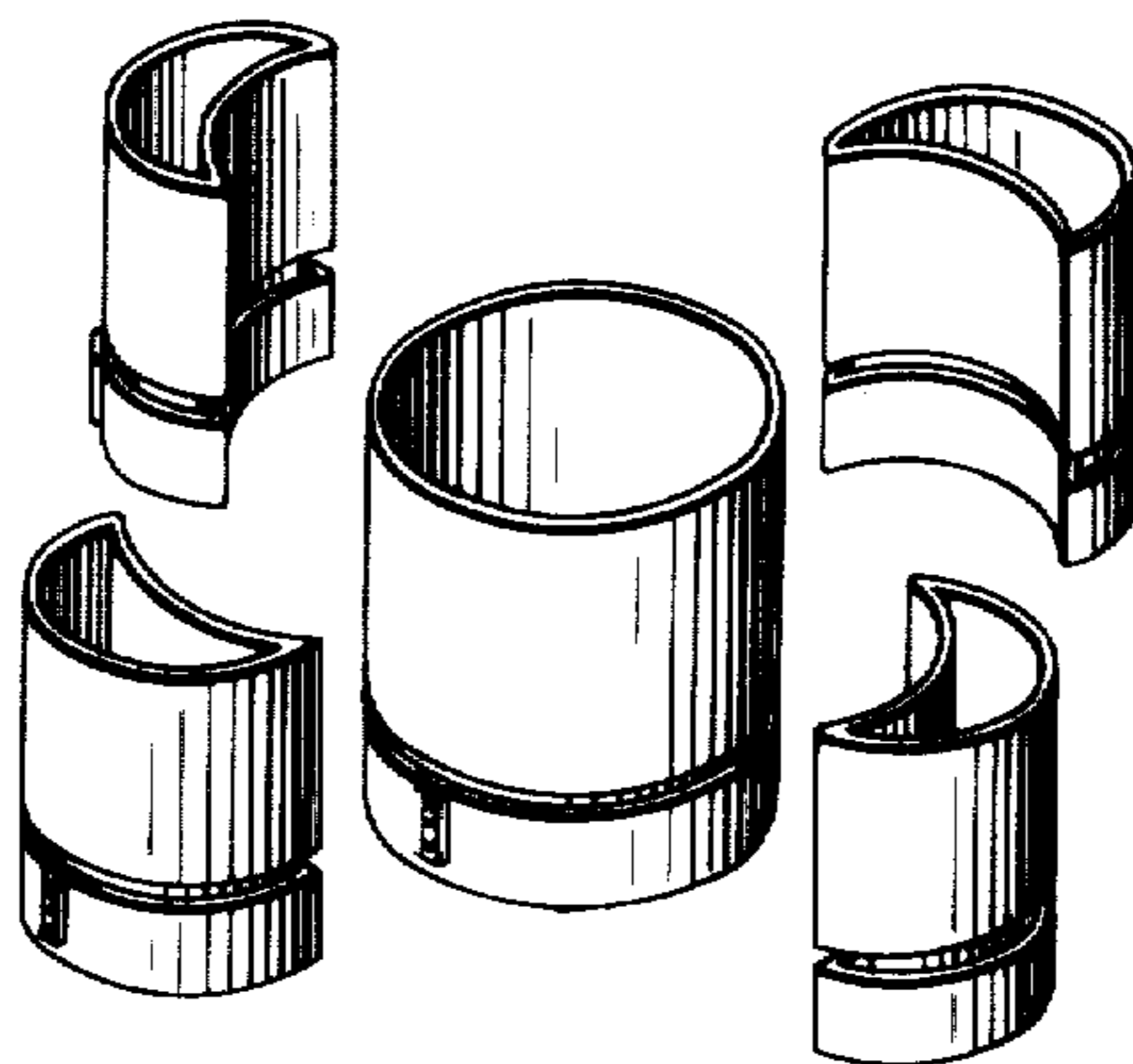
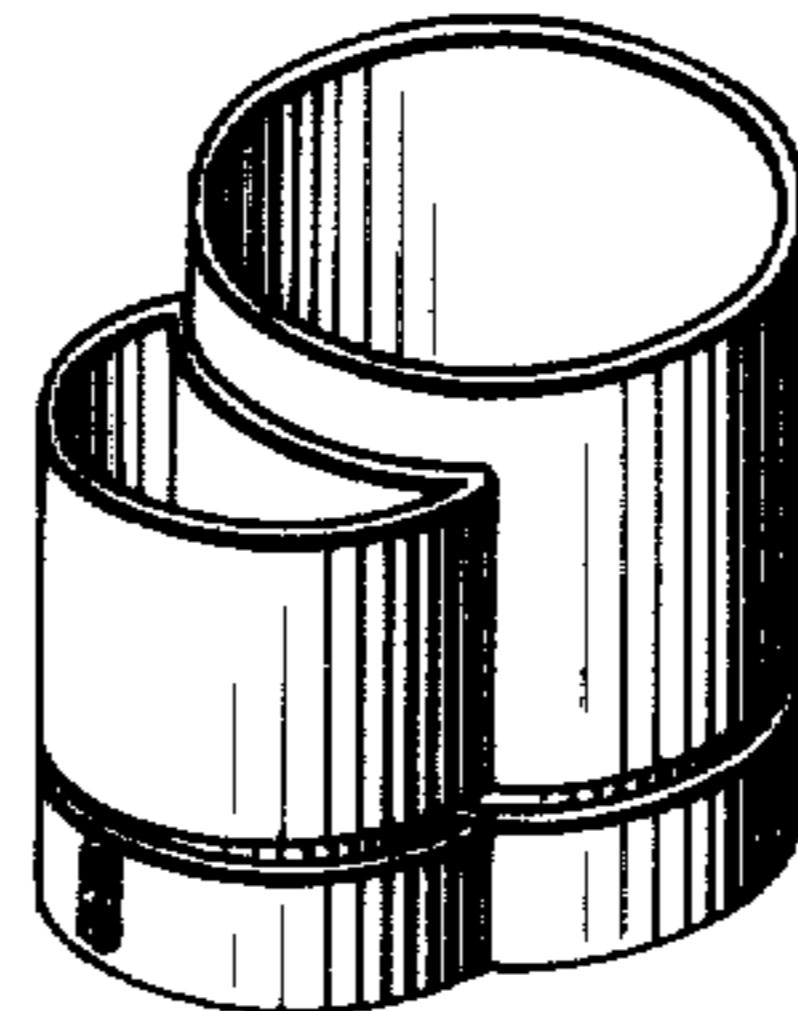


FIG. 1

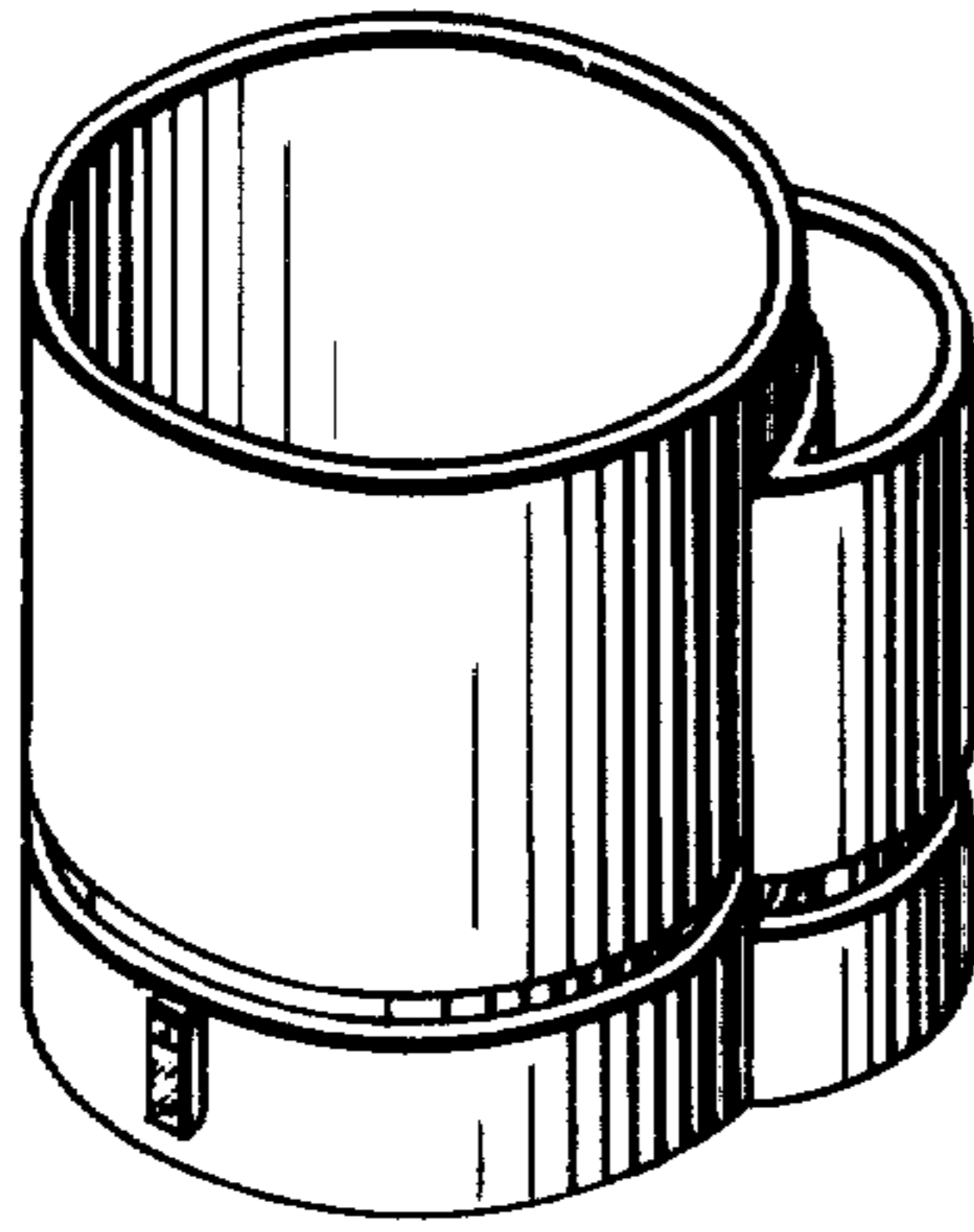


FIG. 2

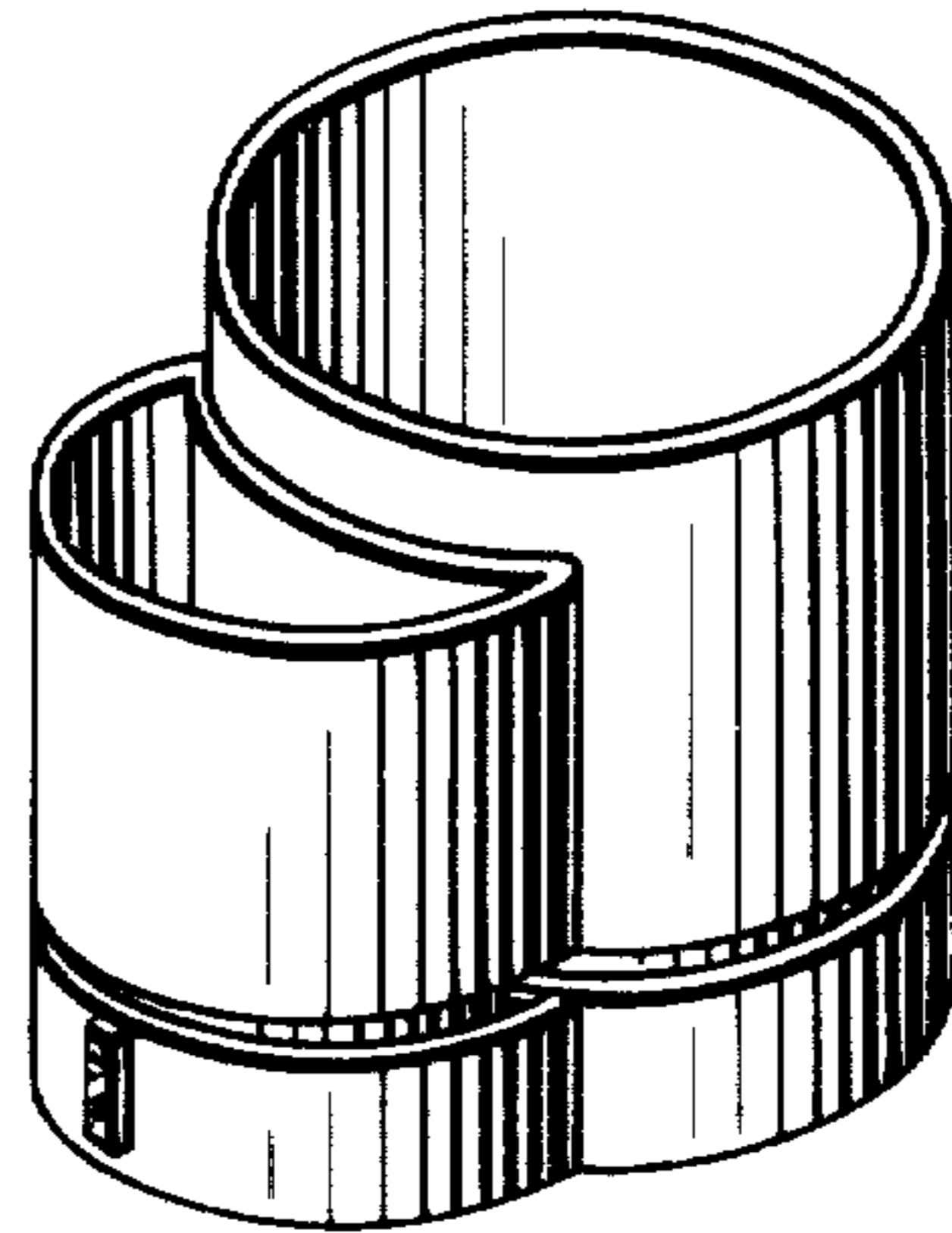


FIG. 3

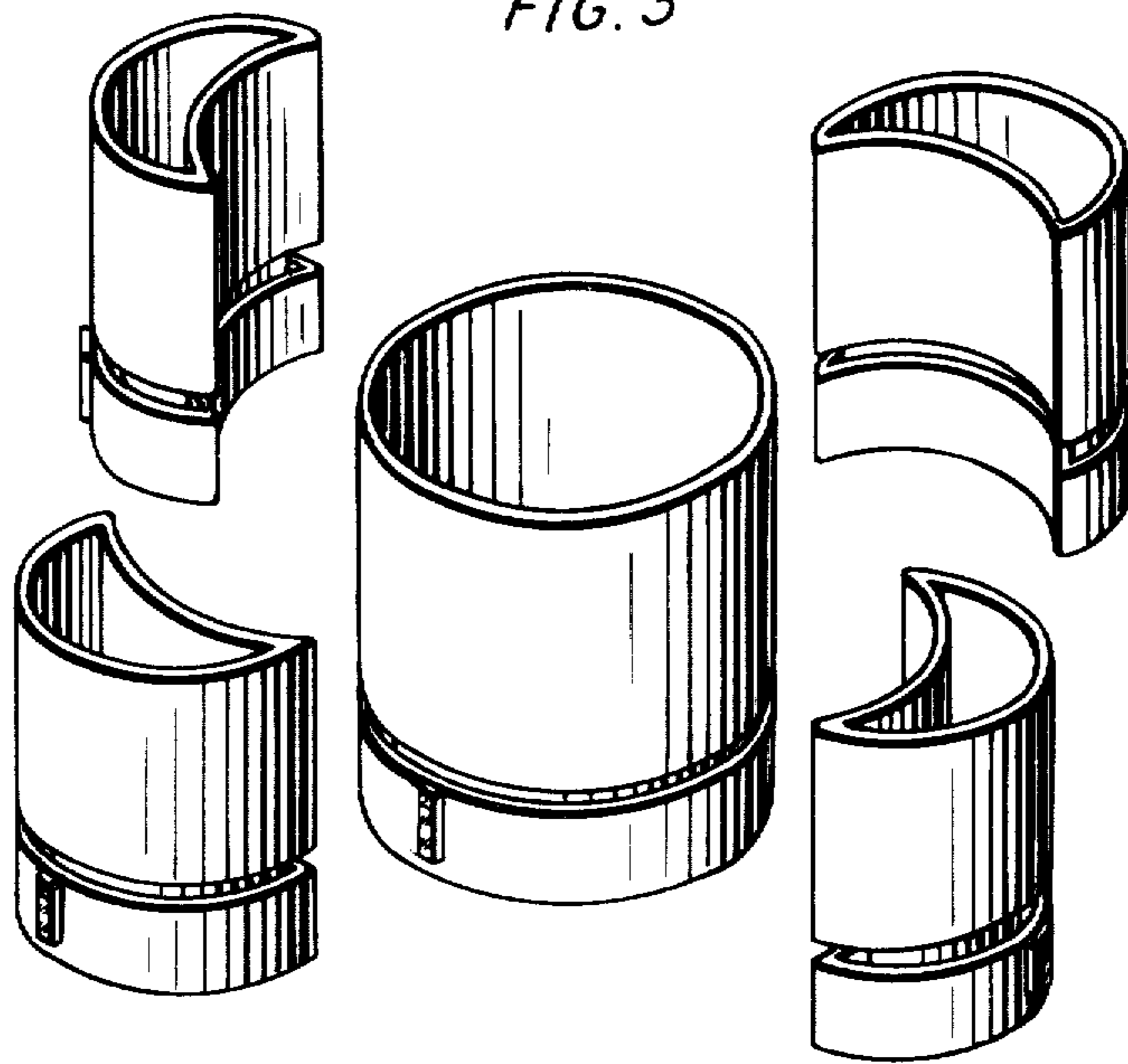


FIG. 8

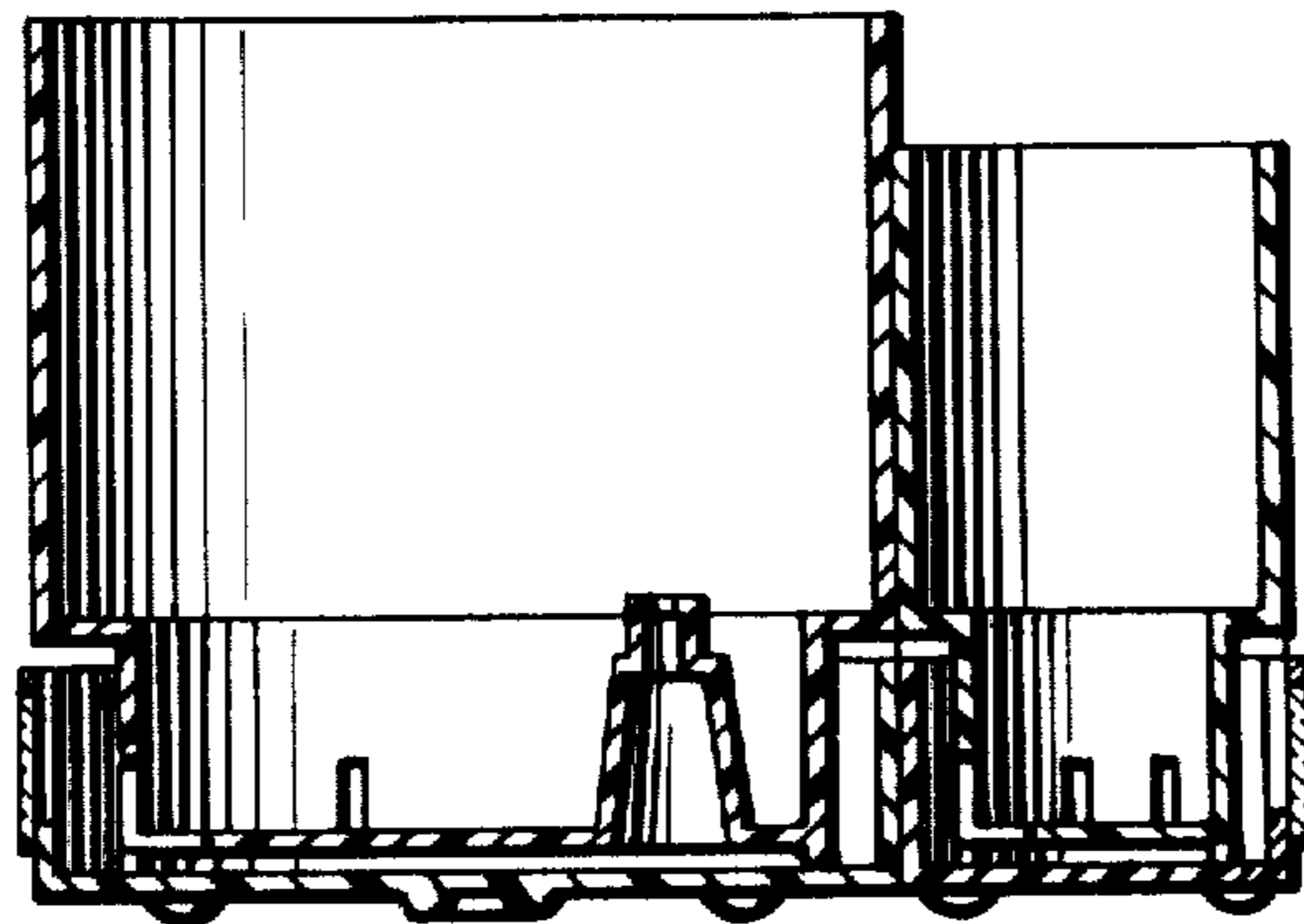


FIG. 4

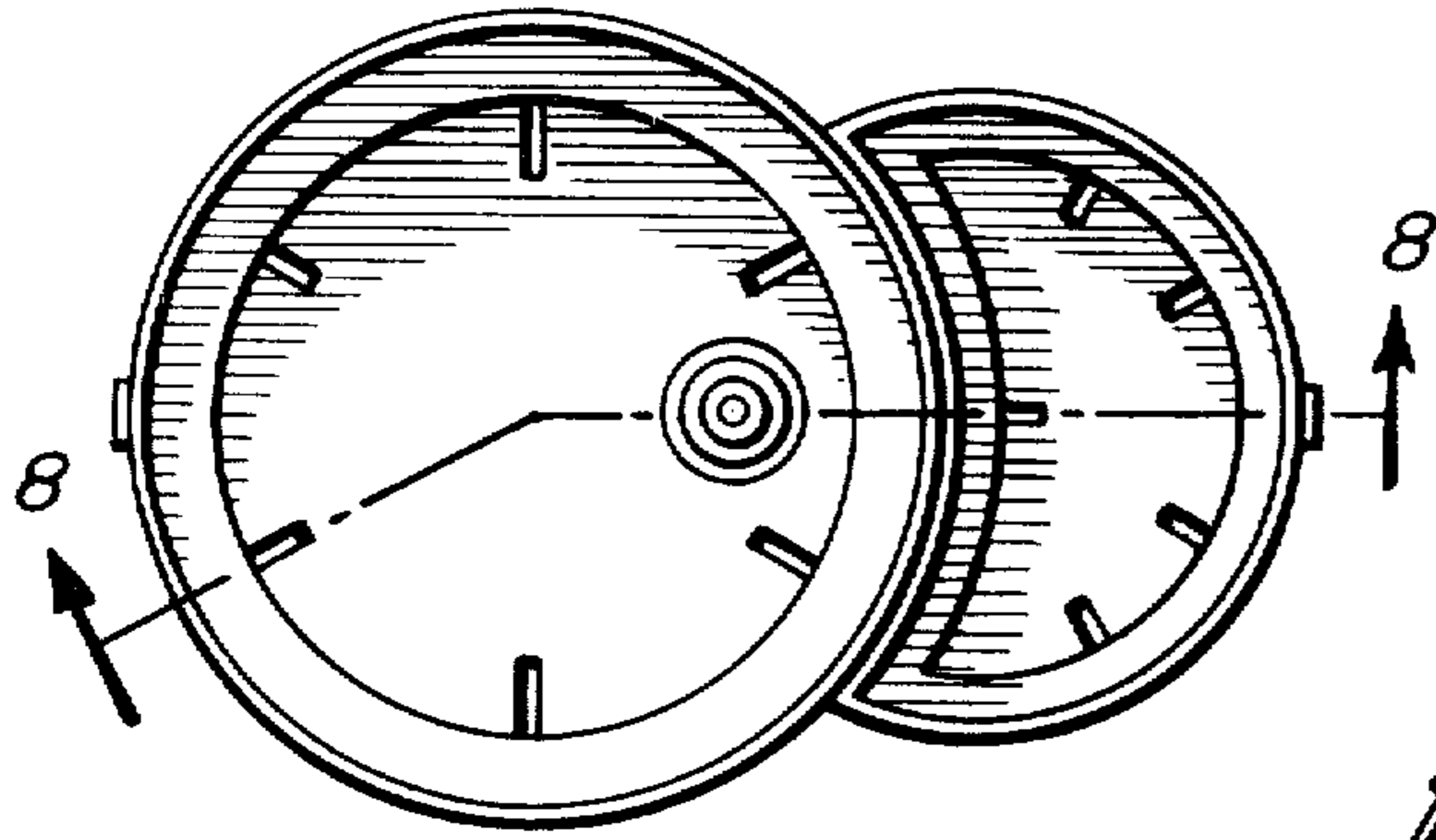


FIG. 6

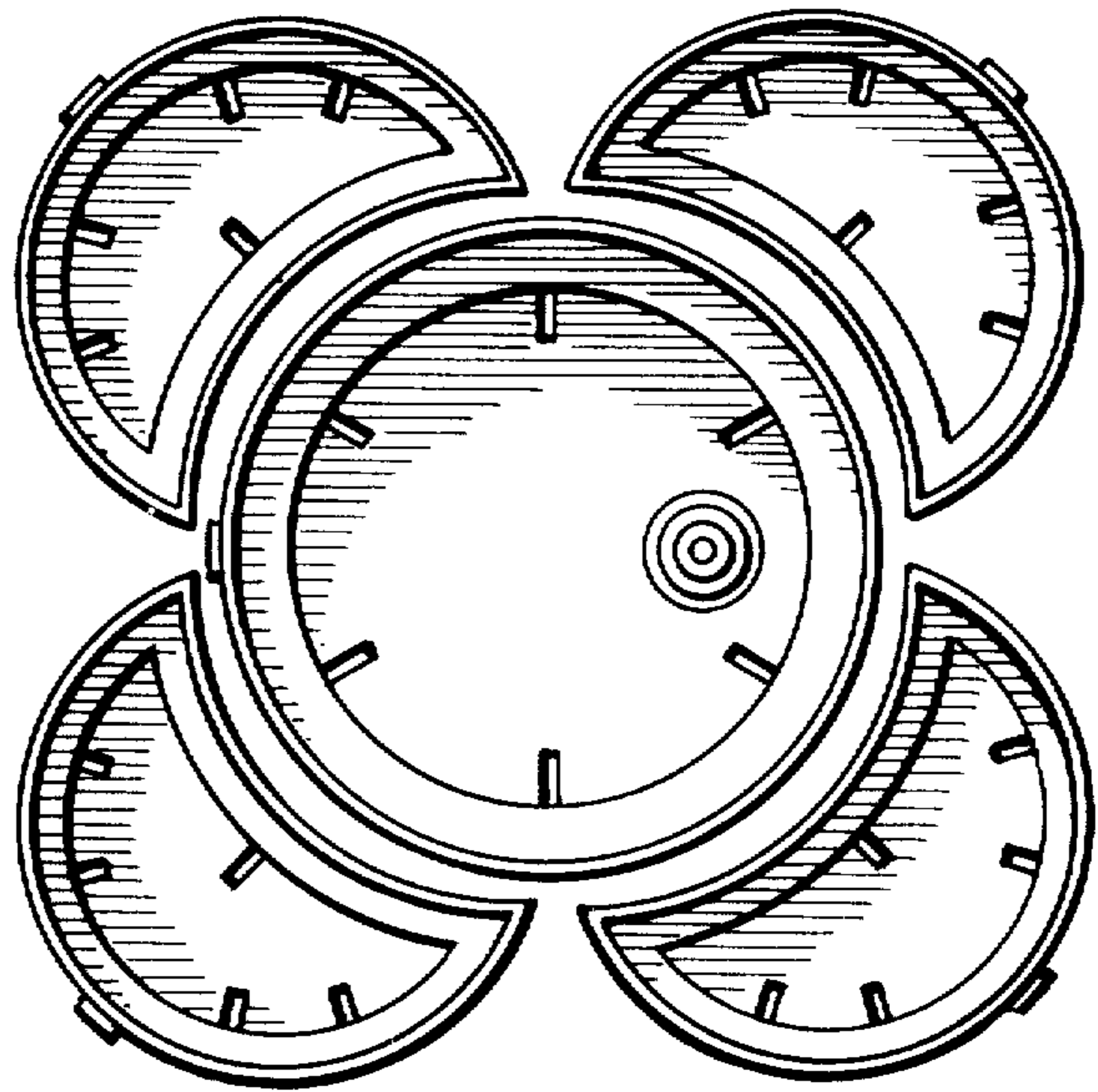


FIG. 5

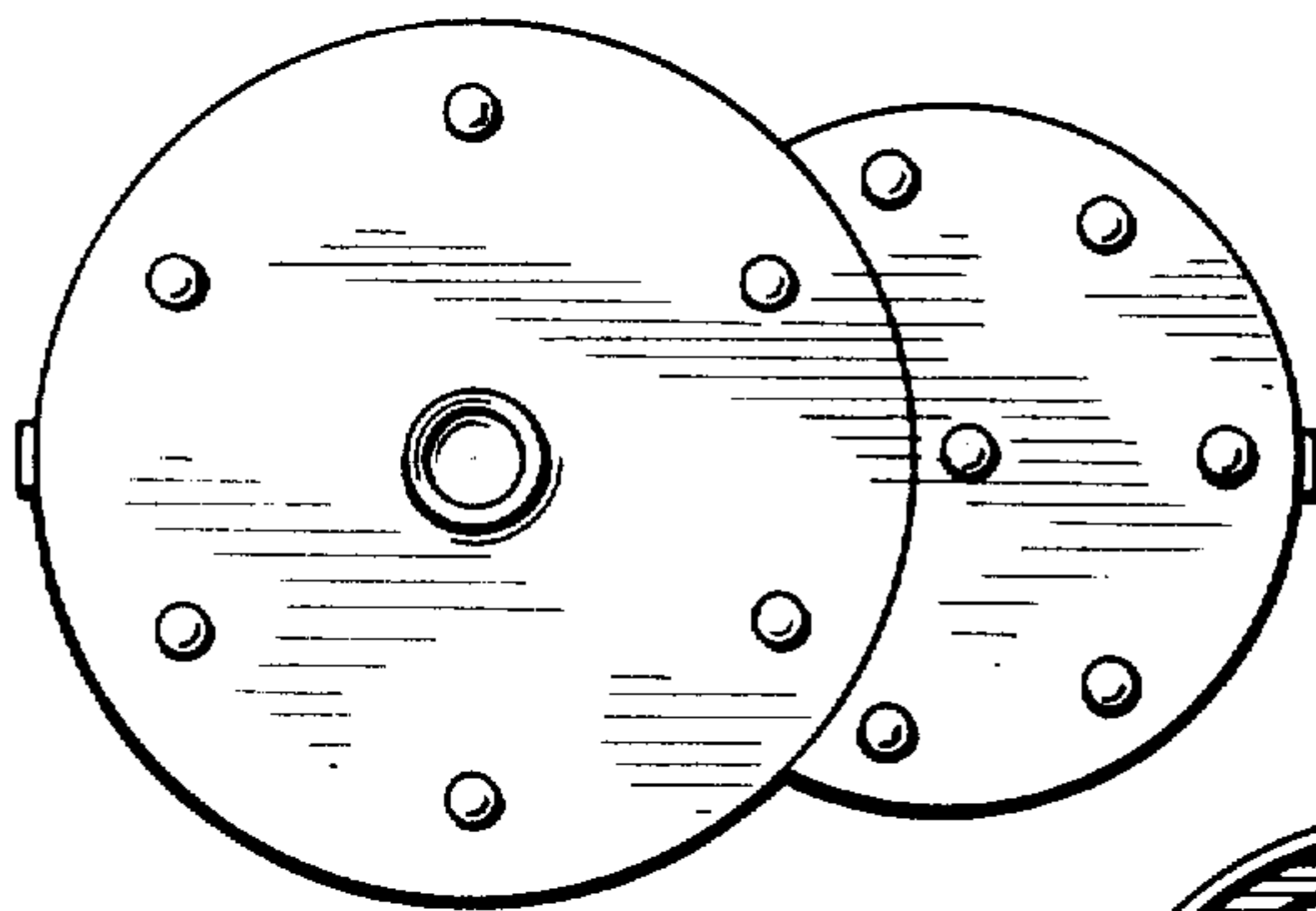


FIG. 7

