

[54] BATHROOM SCALE

[75] Inventors: **Martin H. Newman**, Seekonk, Mass.;
Anthony J. Iorio, Providence, R.I.

[73] Assignee: **Creative Tech:Micro Electronics, Inc.**, Rumford, R.I.

[**] Term: **14 Years**

[21] Appl. No.: **169,476**

[22] Filed: **Jul. 15, 1980**

[51] Int. Cl. **D10-04**

[52] U.S. Cl. **D10/92**

[58] Field of Search **D10/87-94;**
177/210 FP, DIG. 3, DIG. 5, 150, 180, 177,
238-239, 256

[56] **References Cited**

U.S. PATENT DOCUMENTS

D. 251,235 3/1979 Joss D10/91

D. 252,187 6/1979 Ackeret D10/92

D. 252,188 6/1979 Ackeret D10/92

4,082,153 4/1978 Provi 177/210 FP X

OTHER PUBLICATIONS

Design News-10/09/78-p. 88-scale at top.

Primary Examiner-Nelson C. Holtje

Attorney, Agent, or Firm-Robert F. O'Connell

[57] **CLAIM**

The ornamental design for a bathroom scale, as shown.

DESCRIPTION

FIG. 1 is a top and left front perspective view of a bathroom scale showing our new design;

FIG. 2 is a top plan view thereof;

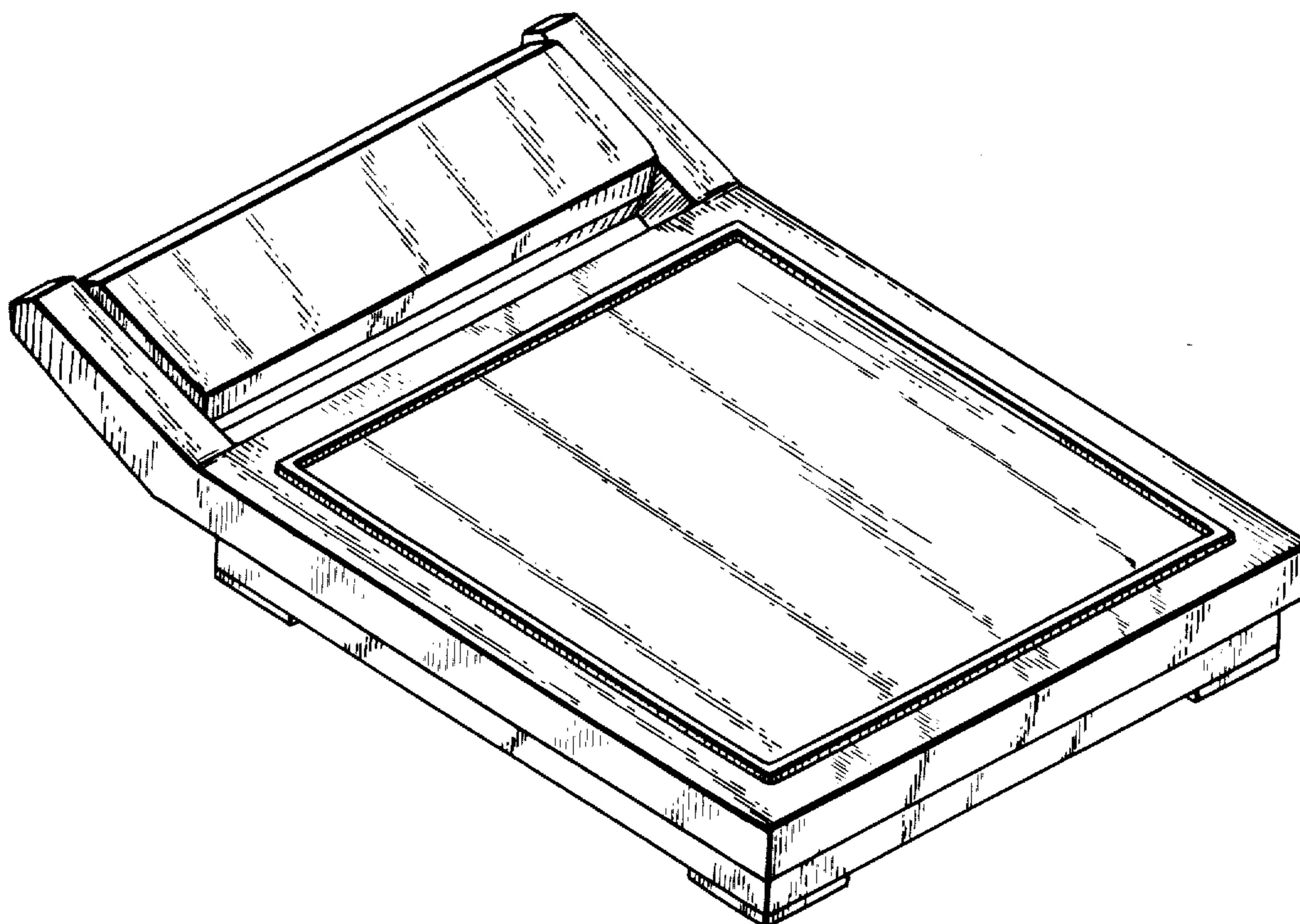
FIG. 3 is a bottom plan view thereof;

FIG. 4 is a right side elevational view thereof;

FIG. 5 is a cross-sectional view thereof as taken from line 5-5 of FIG. 2;

FIG. 6 is a rear elevational view thereof;

FIG. 7 is a front elevational view thereof.



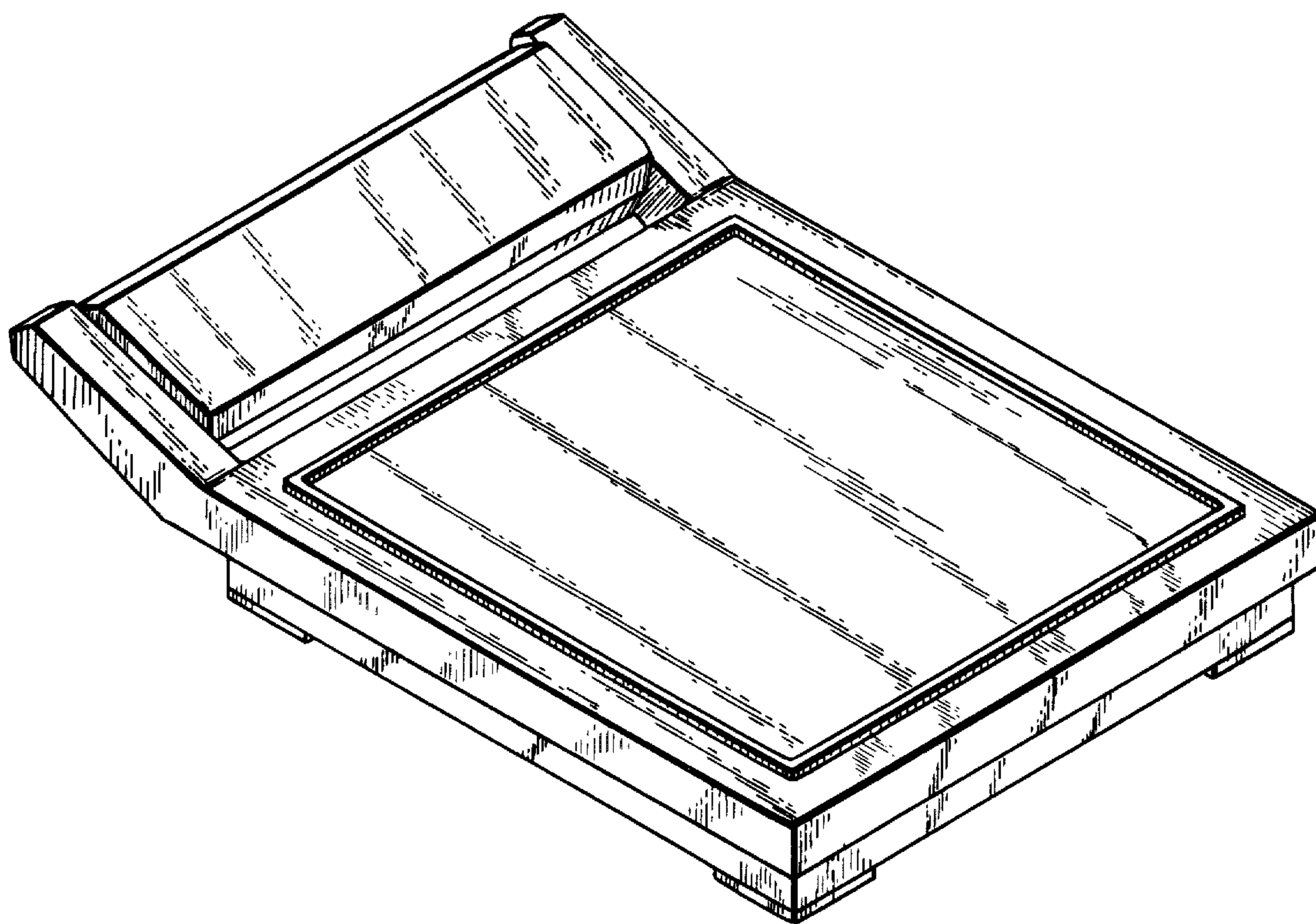
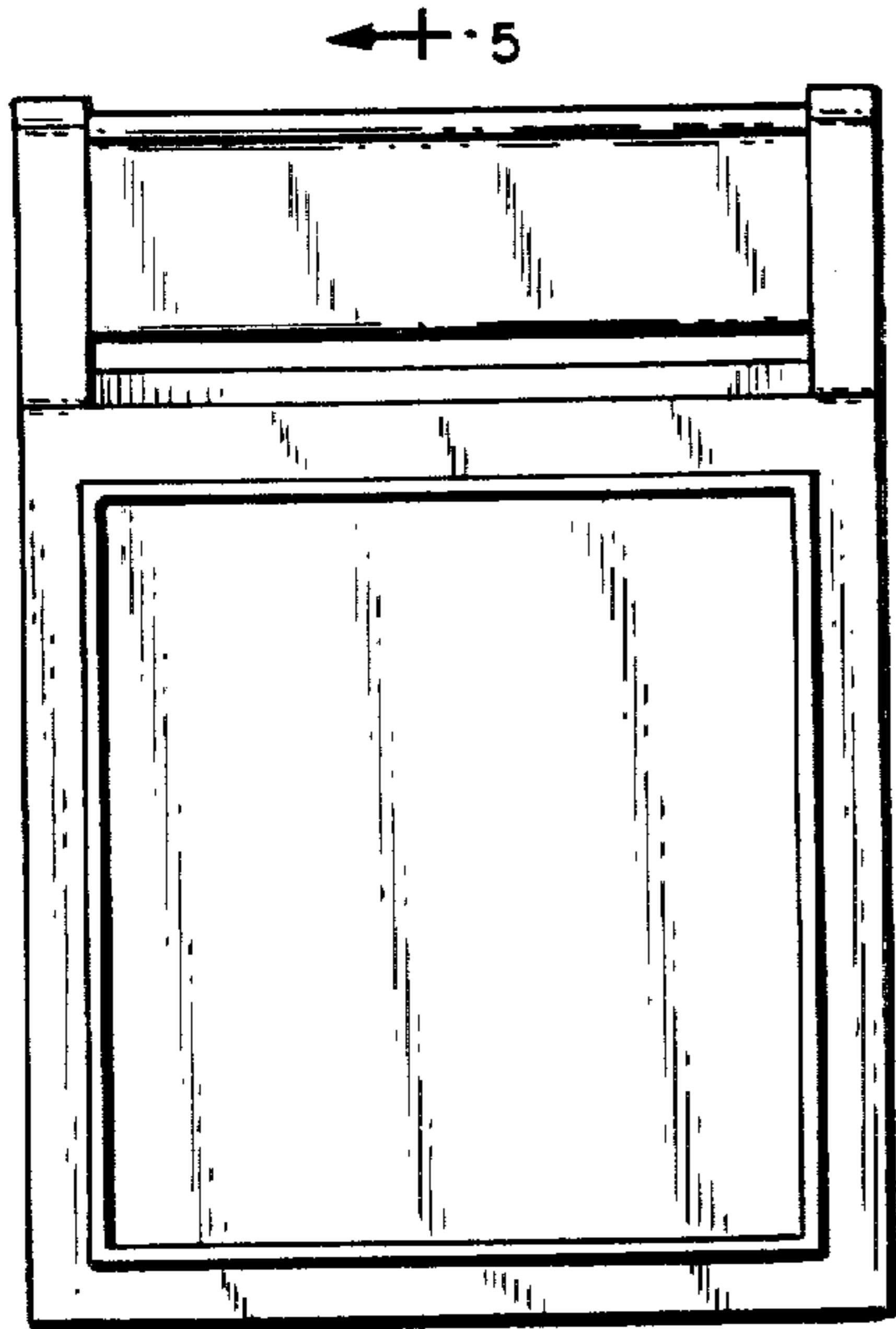


FIG. 1



← 5
FIG. 2

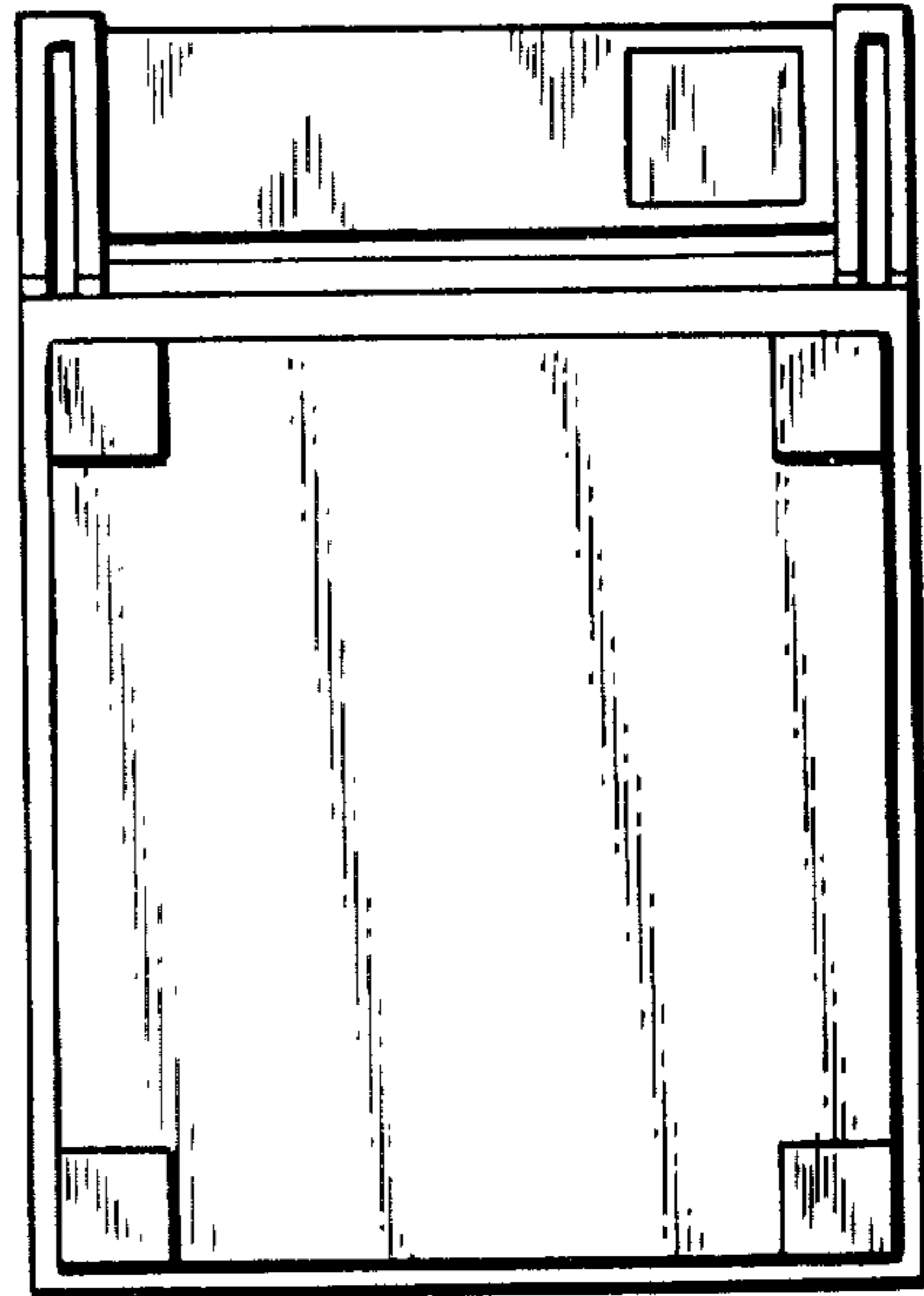


FIG. 3

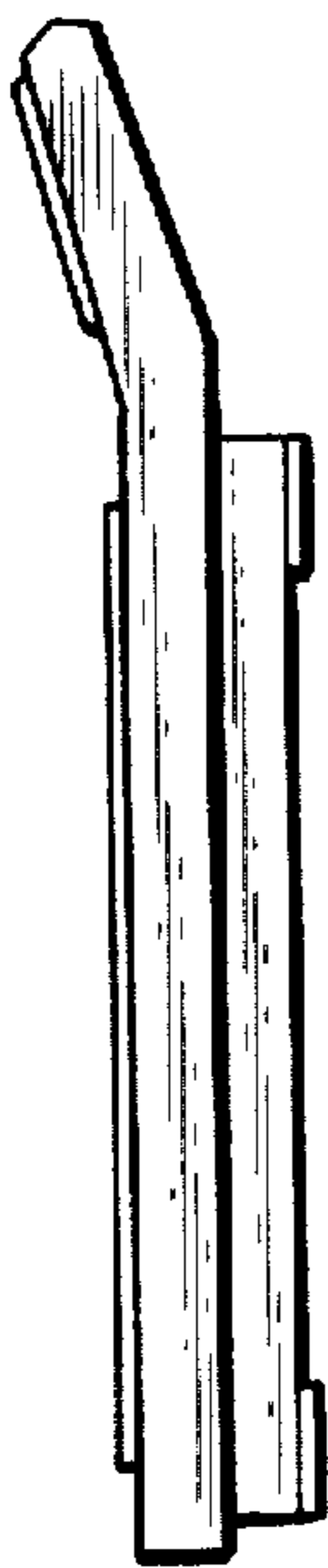


FIG. 4

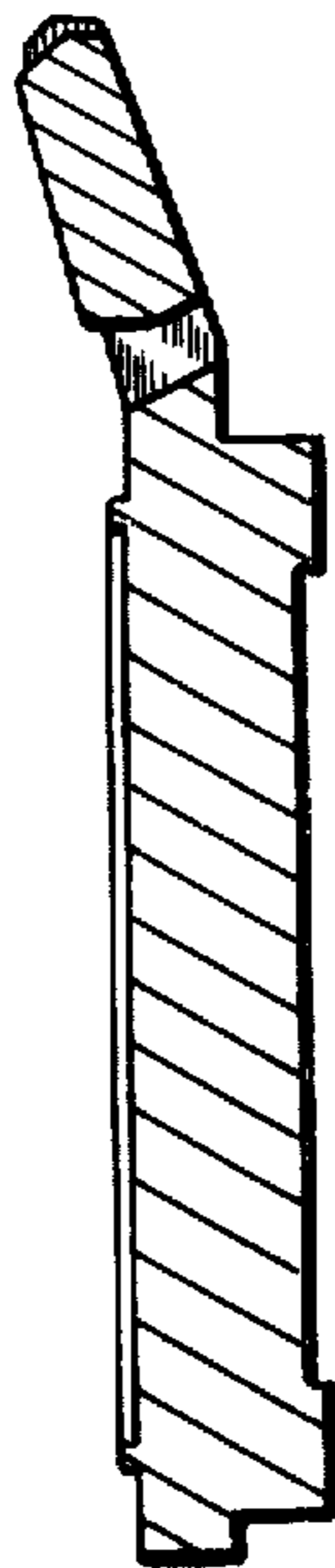


FIG. 5

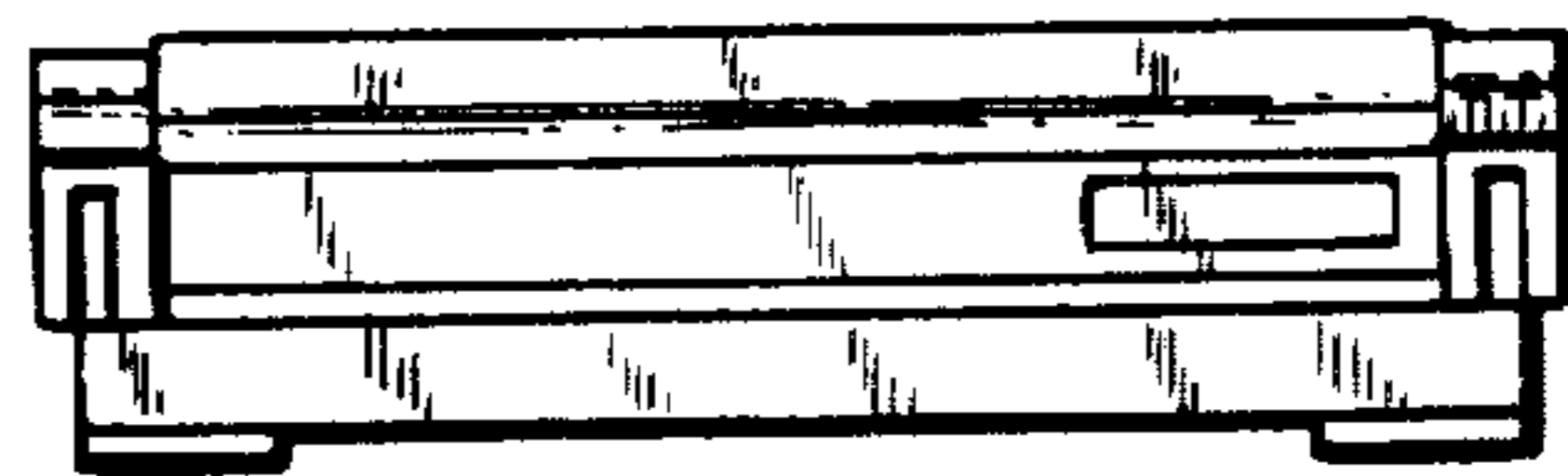


FIG. 6

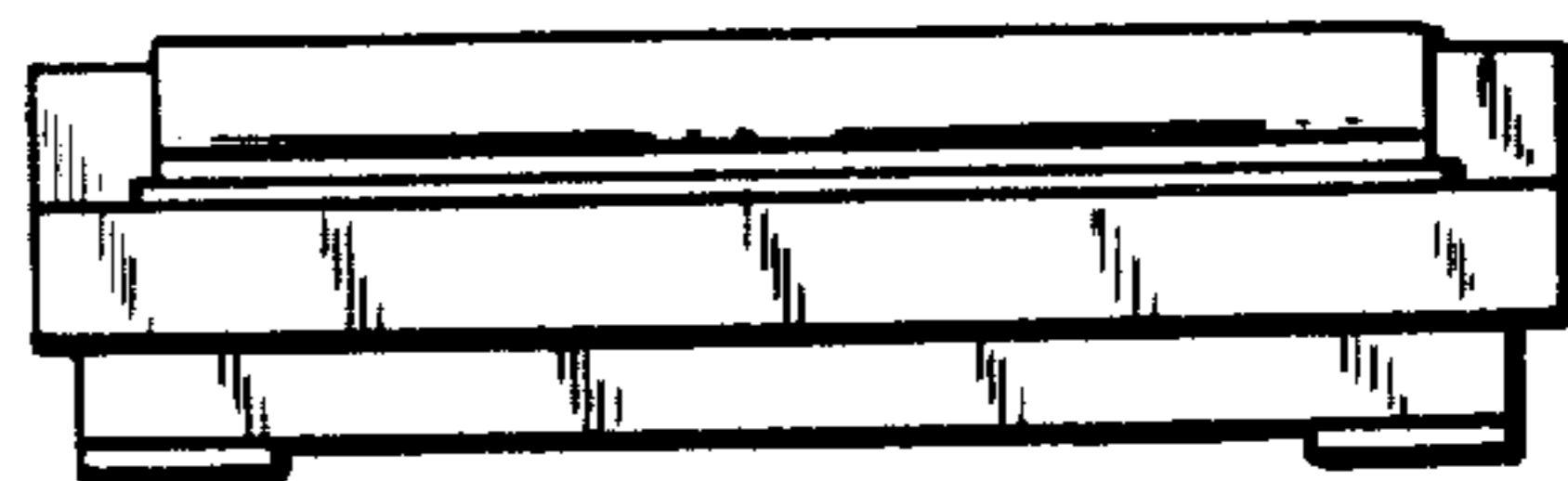


FIG. 7