

[54] BOX

Attorney, Agent, or Firm—Anthony H. Handal

[76] Inventor: Robert Lovett, Jr., Woodhill Rd., Newtown, Pa. 18940

[57] CLAIM

The ornamental design for a box, substantially as shown and described.

[**] Term: 14 Years

DESCRIPTION

[21] Appl. No.: 864,098

FIG. 1 is a front perspective view of a box showing my new design;

[22] Filed: Dec. 23, 1977

FIG. 2 is a front elevational view;

[51] Int. Cl. D9—03

FIG. 3 is an elevational view looking from the right of FIG. 2;

[52] U.S. Cl. D9/347; D9/423; D9/432

FIG. 4 is an elevational view looking from the left of FIG. 2;

[58] Field of Search D9/184, 185, 230-240, D9/341, 347, 420, 423, 424, 432; 229/8, 6 R, 15

FIG. 5 is a rear elevational view;

[56] References Cited

U.S. PATENT DOCUMENTS

- D. 201,923 8/1965 Braun D9/240
- D. 230,657 3/1974 Bequn D9/185
- D. 237,590 11/1975 Scantlin D9/185
- D. 241,818 10/1976 Hejna D9/185

FIG. 6 is a bottom plan view;

FIG. 7 is an enlarged, fragmentary perspective view of one of the hinge areas;

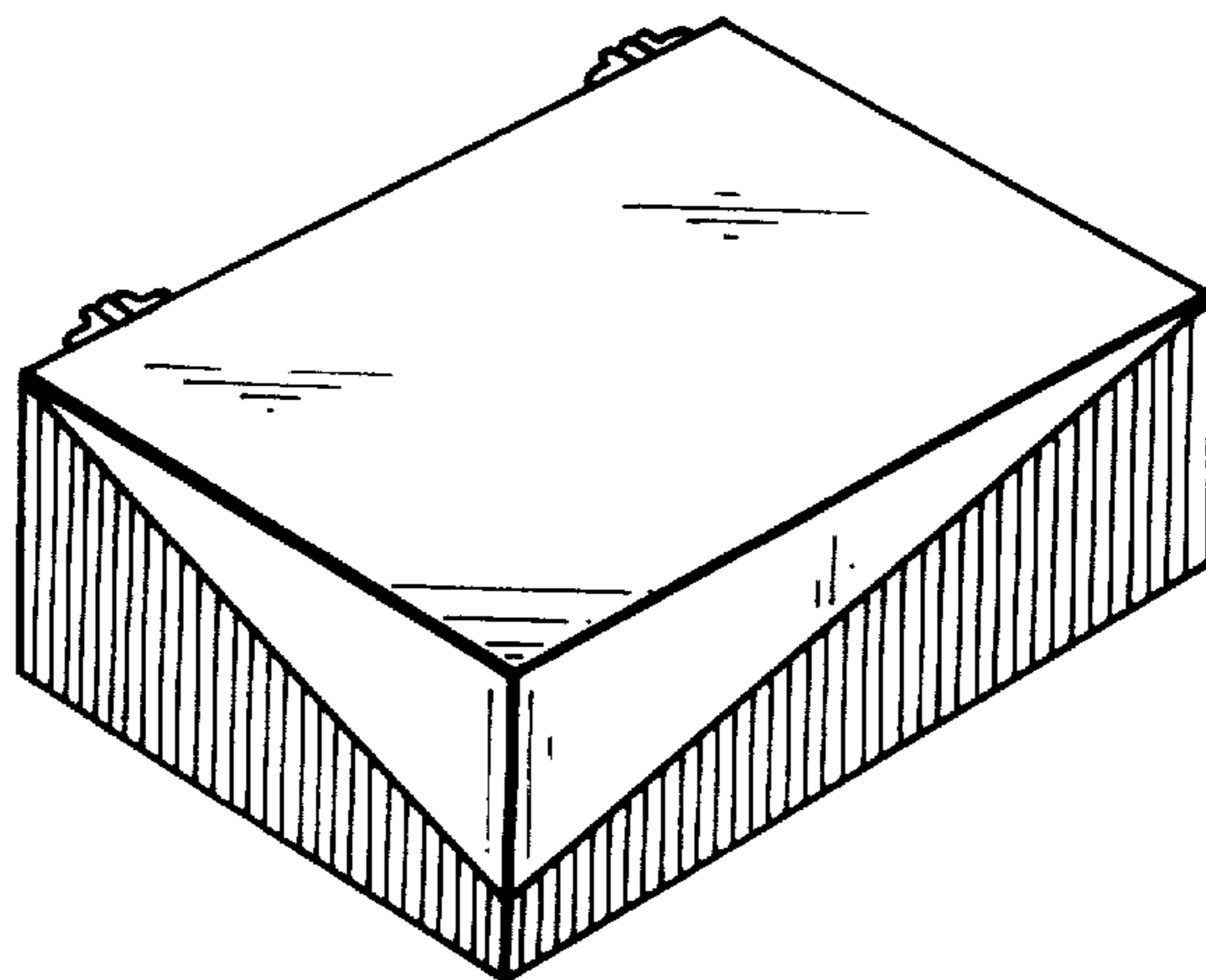
FIG. 8 is a top perspective view with the lid partially opened;

FIG. 9 is a top plan view with the lid closed; and

FIG. 10 is a top plan view with the lid fully opened.

The drawing is shaded to show contrasting color or the like.

Primary Examiner—Robert C. Spangler



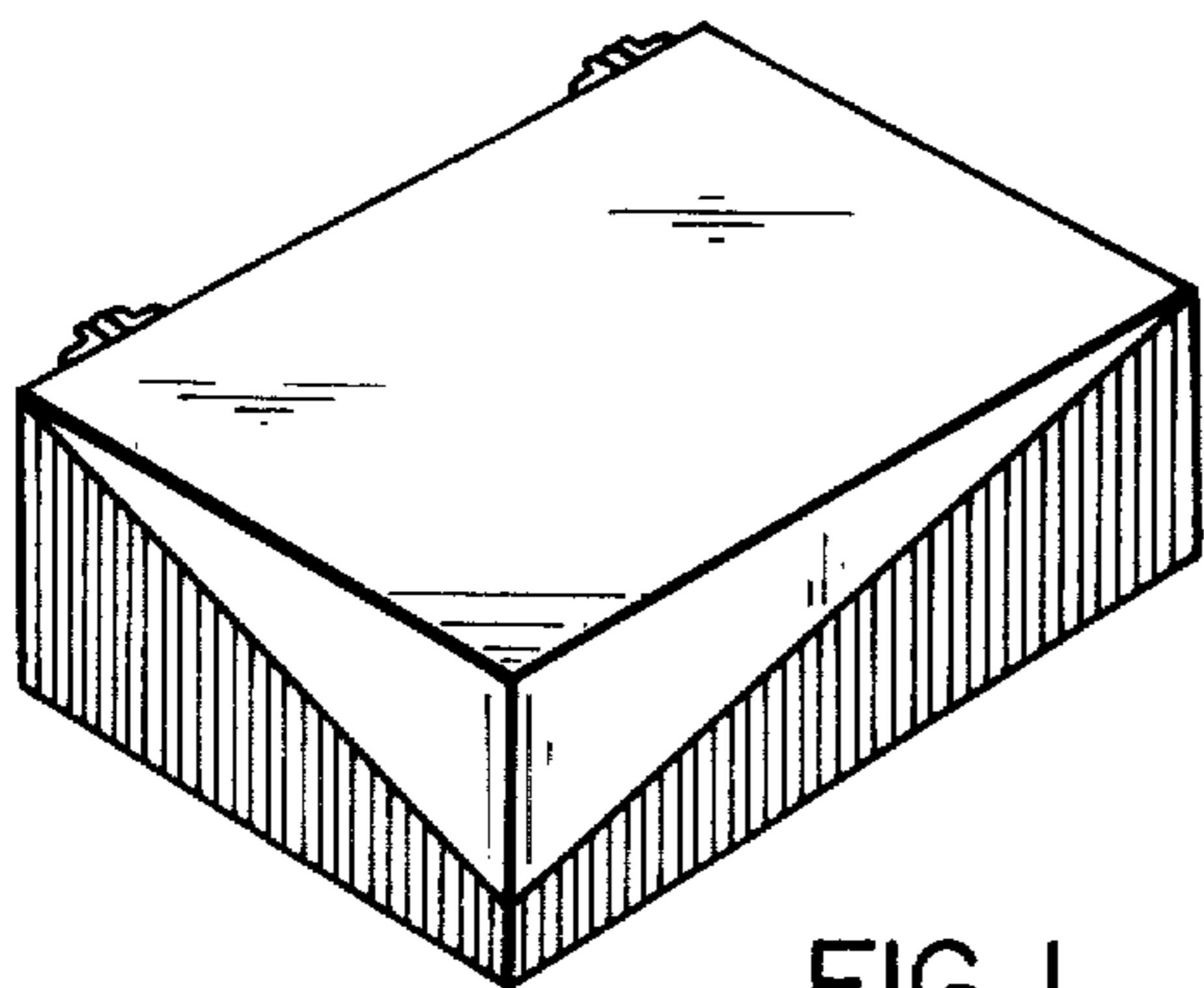


FIG. 1

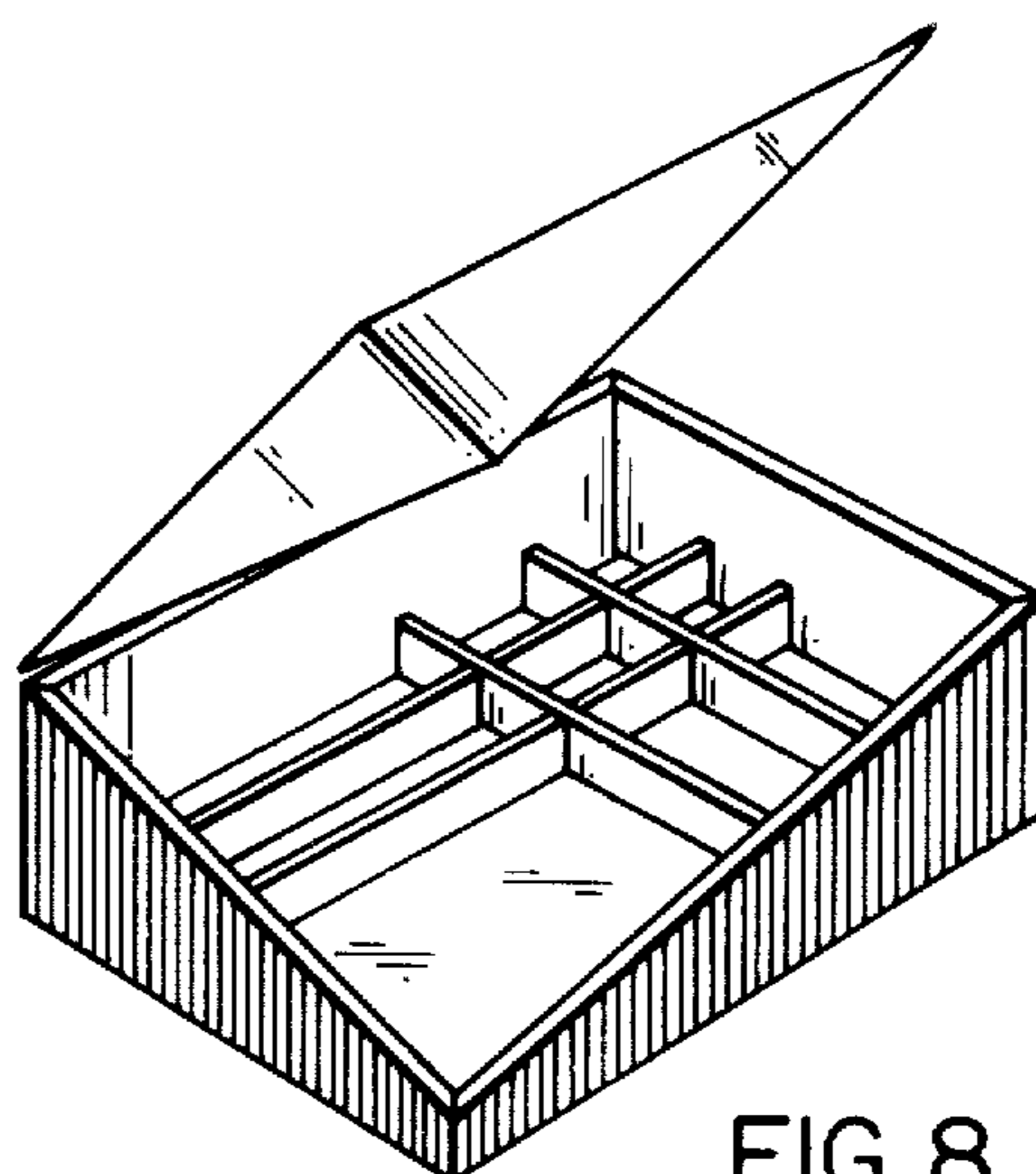


FIG. 8

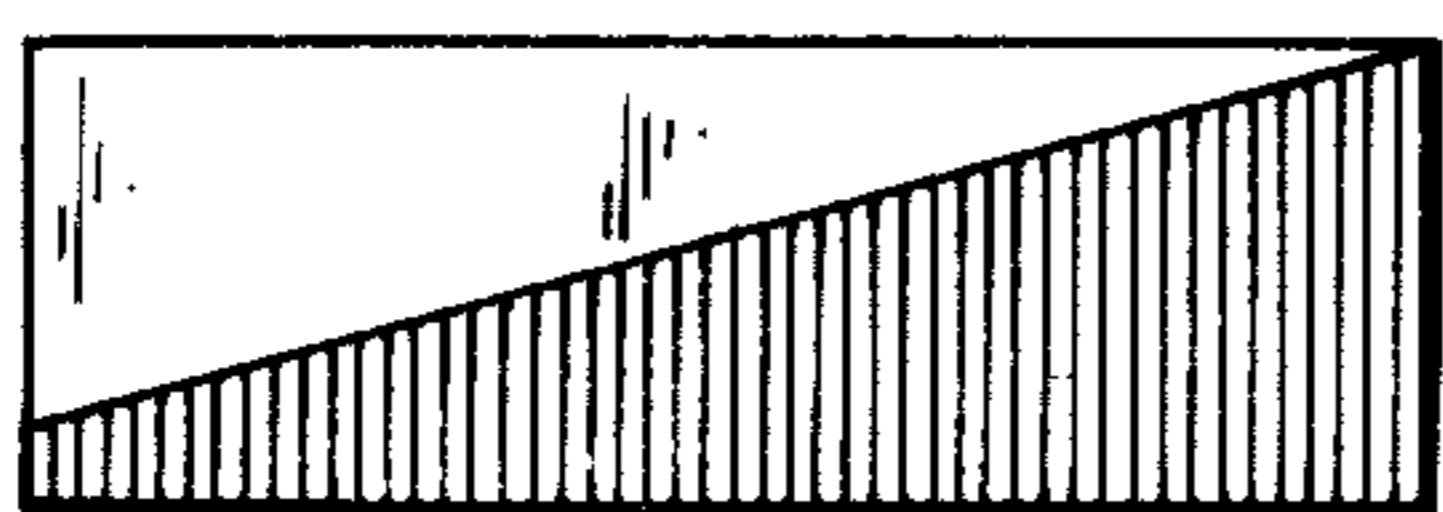


FIG. 2

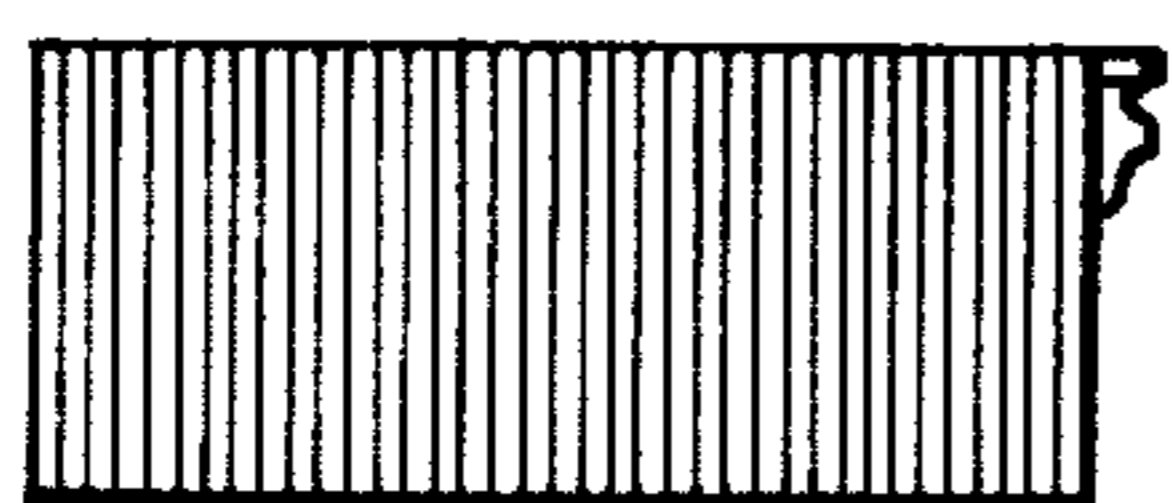


FIG. 3

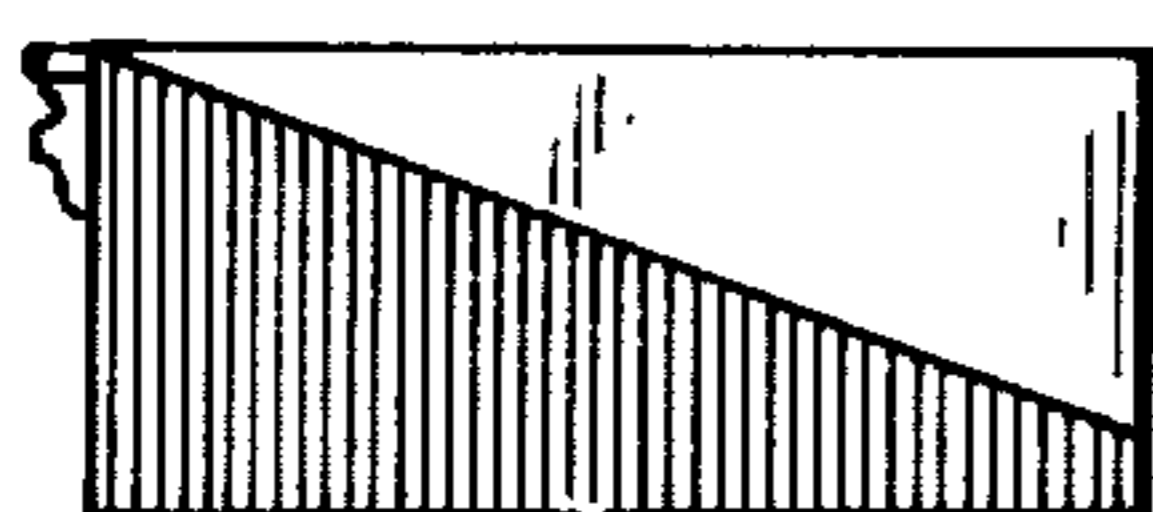


FIG. 4

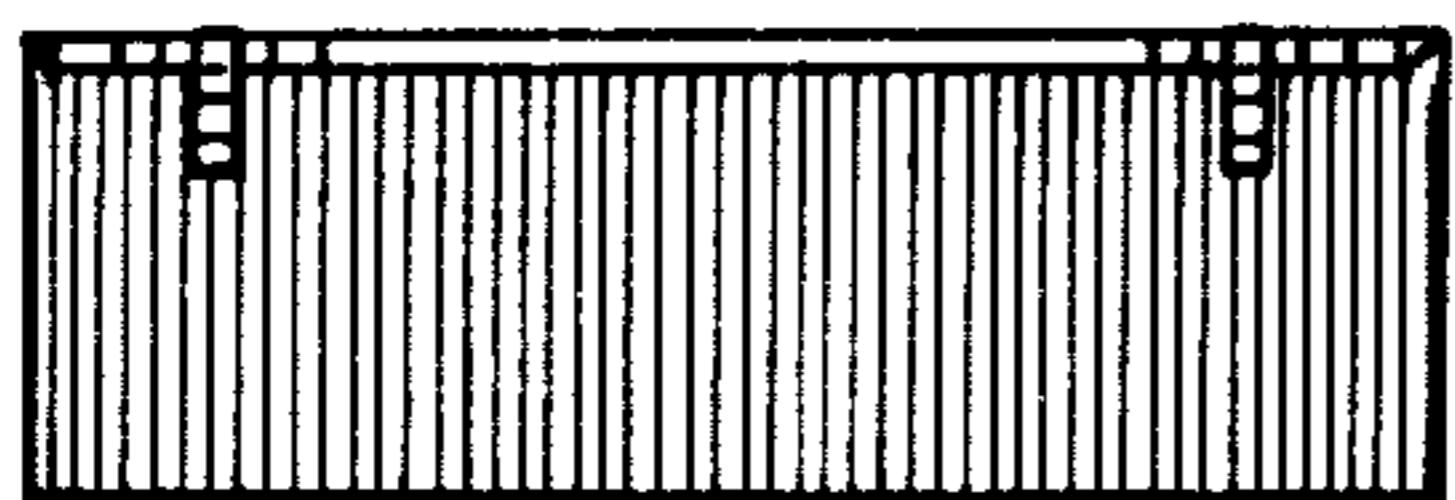


FIG. 5

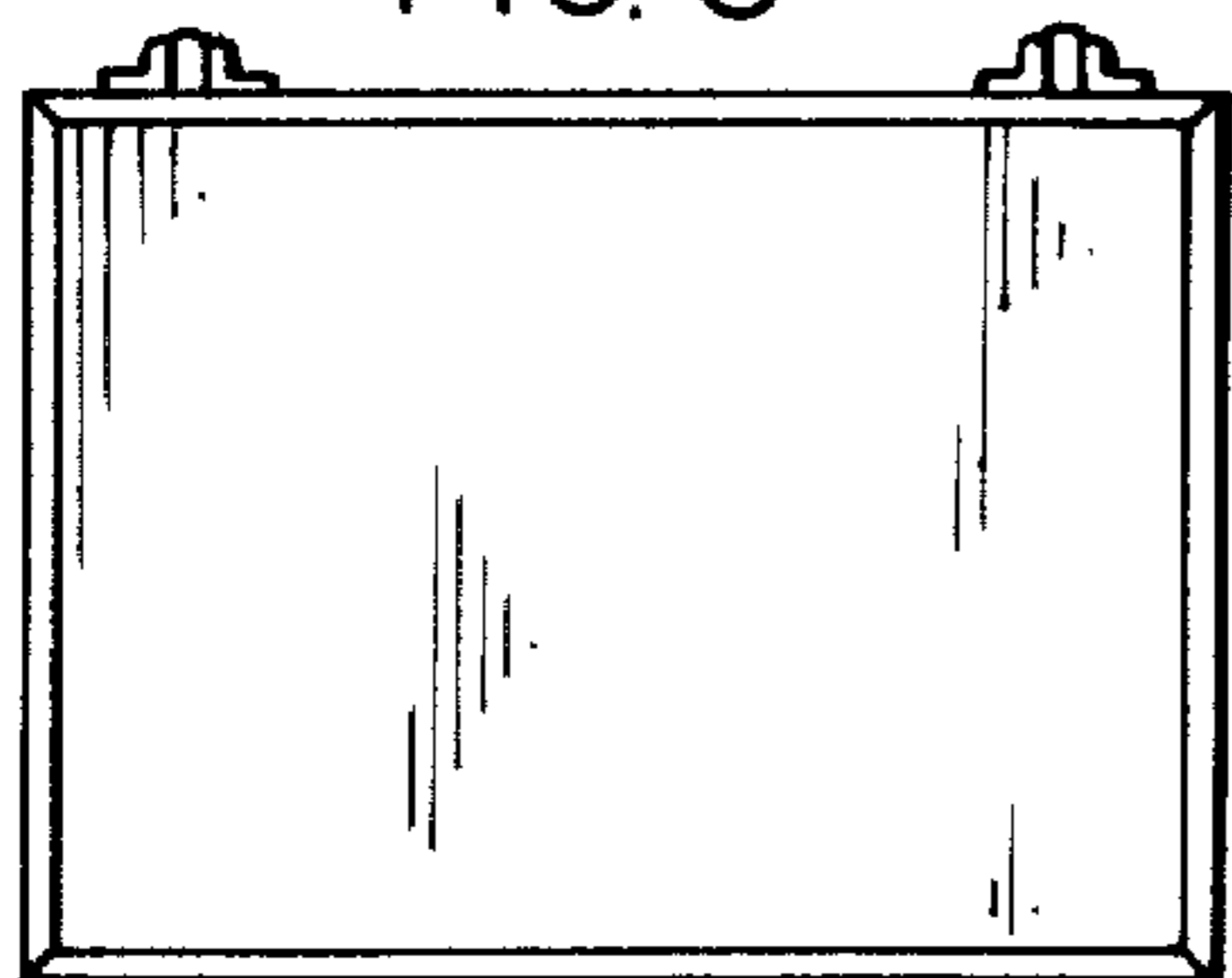


FIG. 6

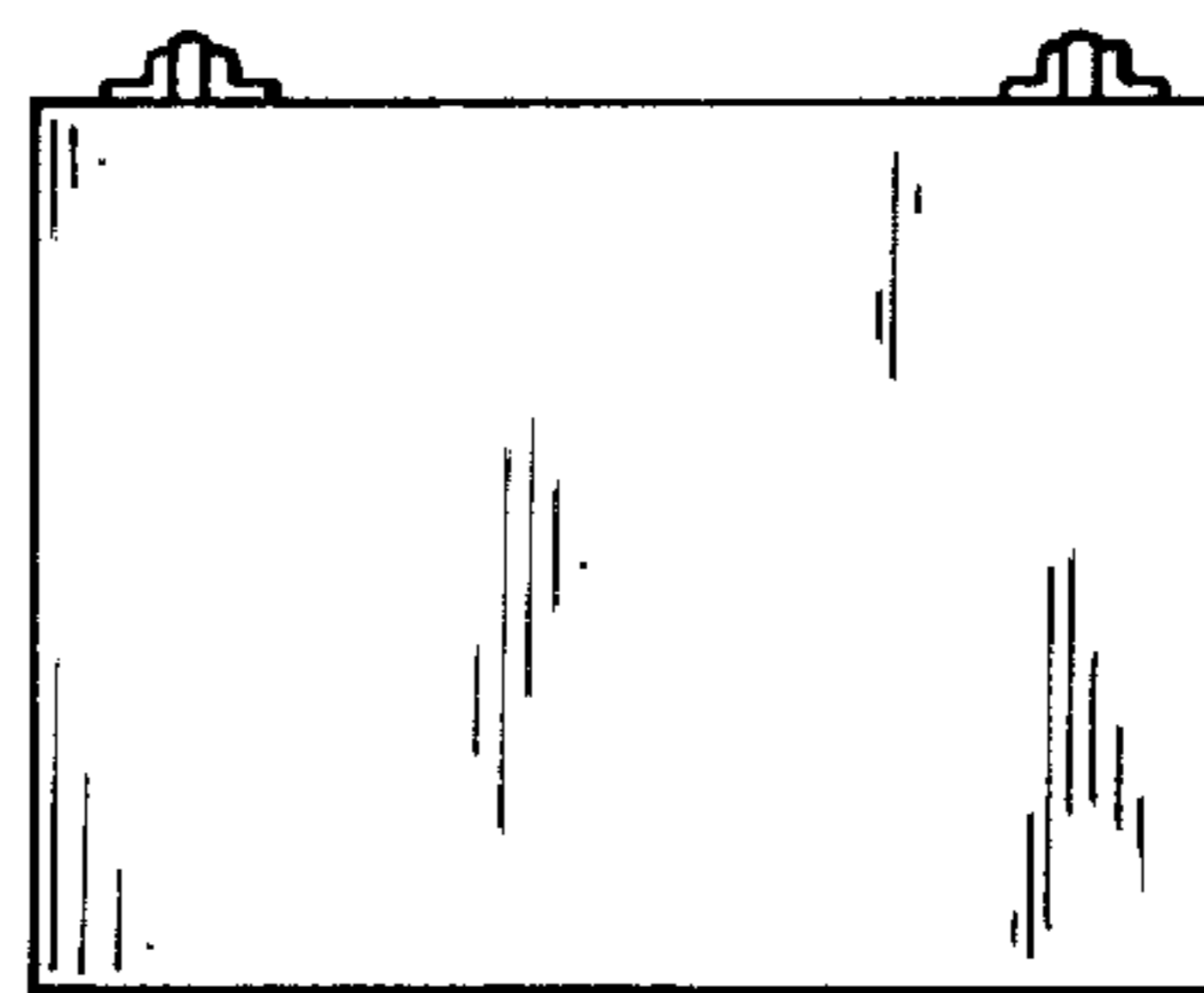


FIG. 9

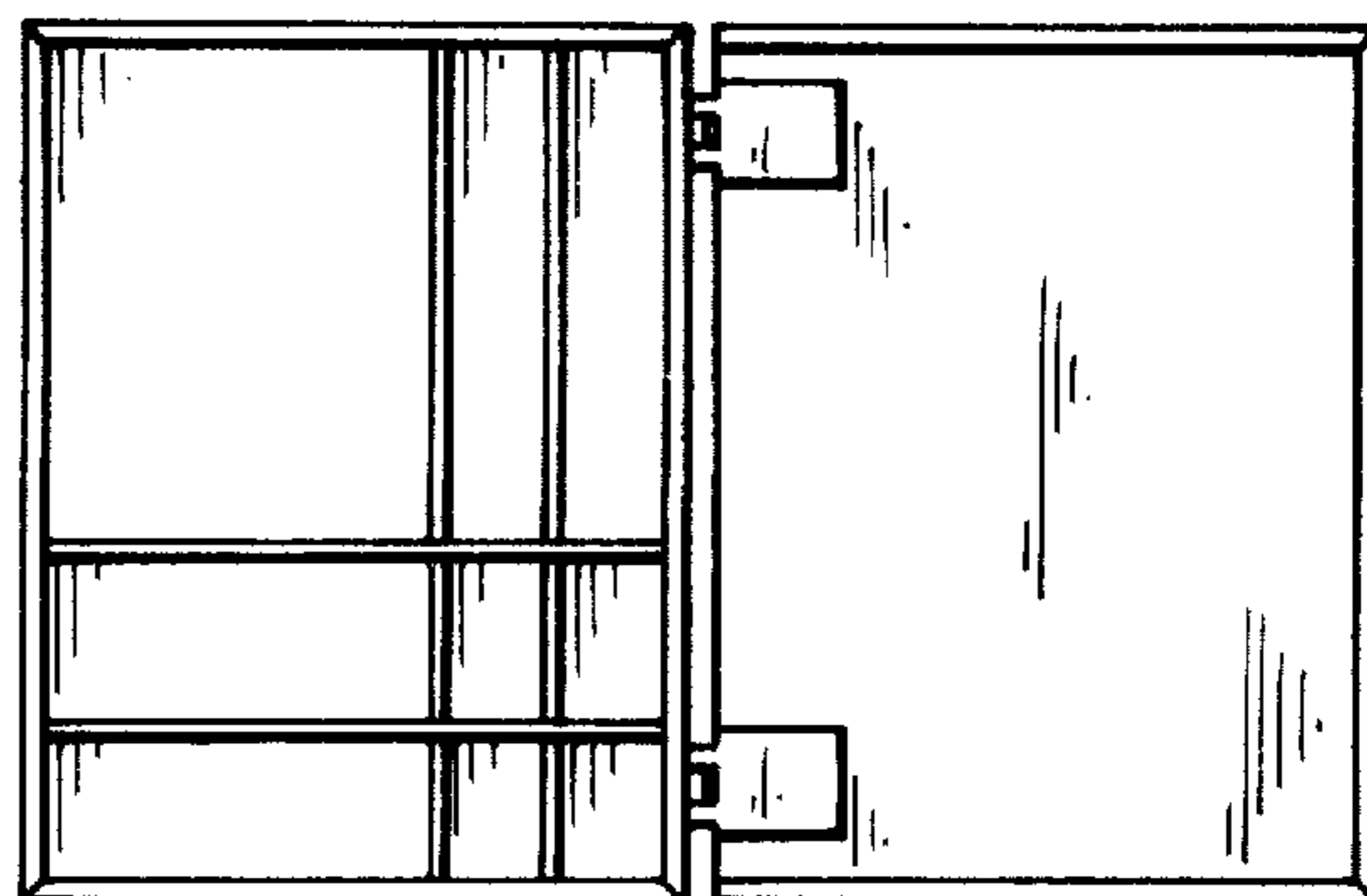


FIG. 10

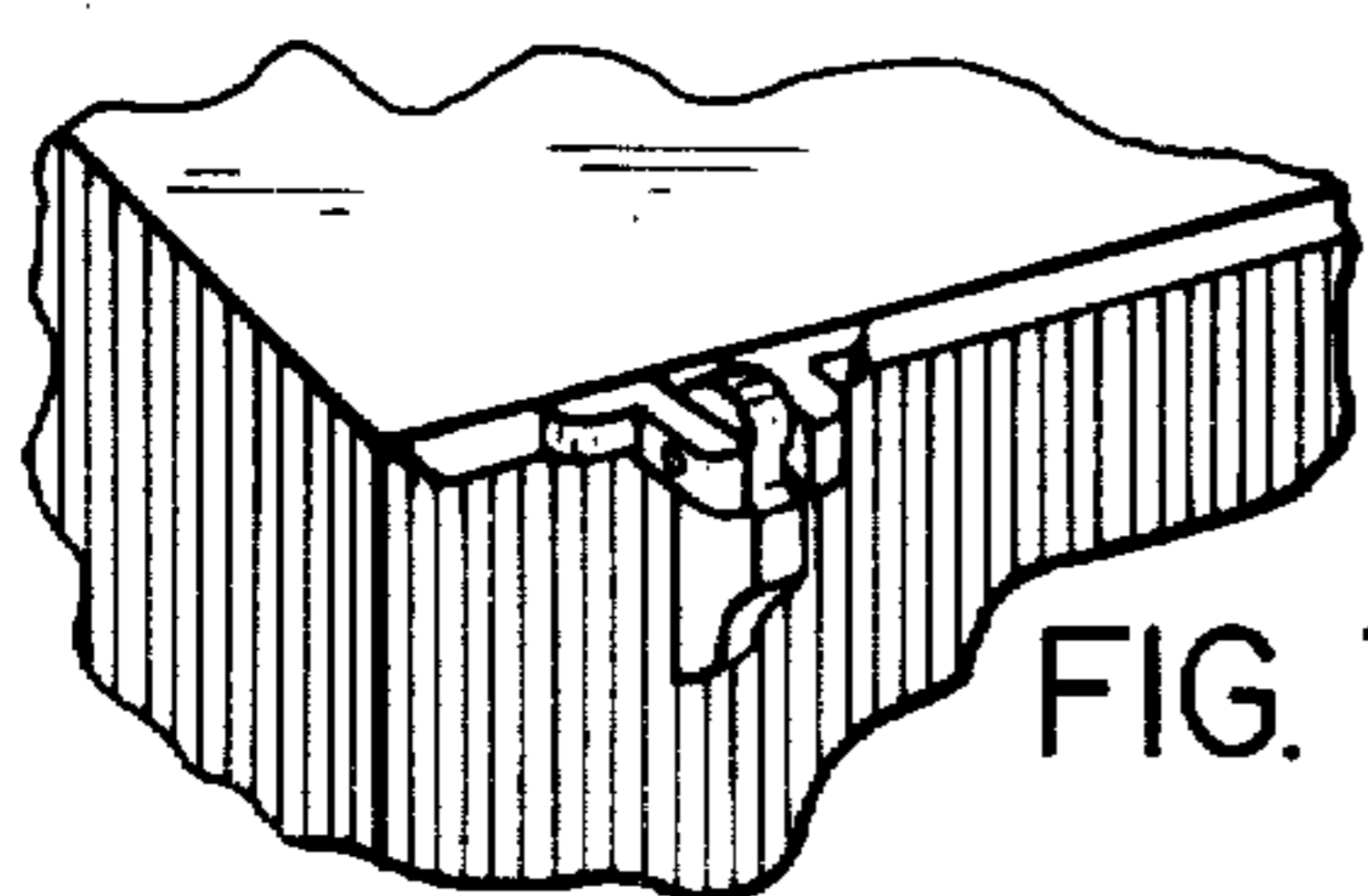


FIG. 7