

[54] PULL

[75] Inventor: **Raymond U. H. Tegner**, Lodi, Wis.

[73] Assignee: **Amerock Corporation**, Rockford, Ill.

[\*\*] Term: **14 Years**

[21] Appl. No.: **217,167**

[22] Filed: **Dec. 16, 1980**

[51] Int. Cl. .... **D8-06**

[52] U.S. Cl. .... **D8/317**

[58] Field of Search ..... **D8/300, 313, 315-321, D8/323; 16/110 R, 111 R, 124-127**

[56] **References Cited**

**U.S. PATENT DOCUMENTS**

D. 246,692 12/1977 Tegner ..... D8/316

D. 246,950 1/1978 Palm ..... D8/316

D. 246,952 1/1978 Palm ..... D8/317

D. 251,410 3/1979 Pittenger ..... D8/316

*Primary Examiner*—B. J. Bullock  
*Attorney, Agent, or Firm*—Leydig, Voit, Osann, Mayer & Holt, Ltd.

[57] **CLAIM**

The ornamental design for a pull, as shown.

**DESCRIPTION**

FIG. 1 is a front elevational view of a pull incorporating my new design;

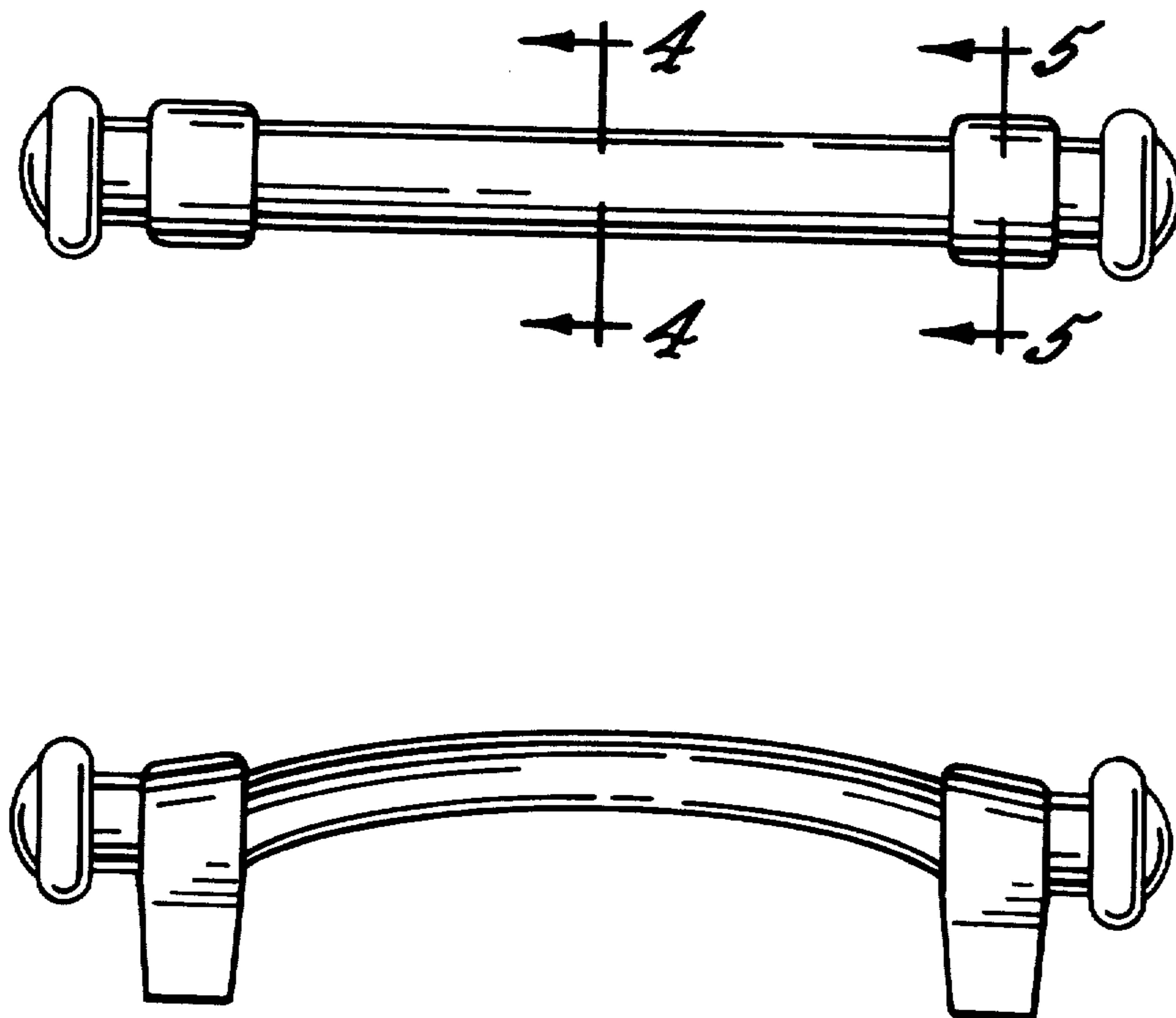
FIG. 2 is a bottom plan view thereof, the top being a mirror image;

FIG. 3 is an end elevational view thereof;

FIG. 4 is an enlarged sectional view taken along the line 4-4 in FIG. 1;

FIG. 5 is an enlarged sectional view taken along the line 5-5 in FIG. 1;

FIG. 6 is an enlarged sectional view taken along the line 6-6 in FIG. 3.



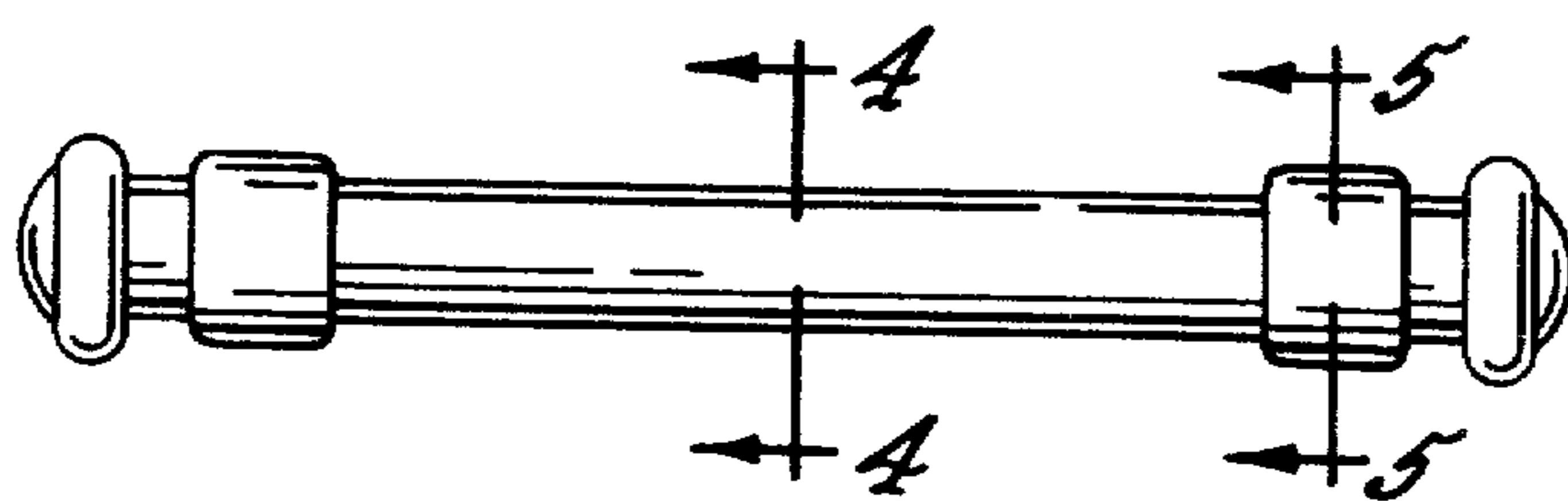


FIG. 1.

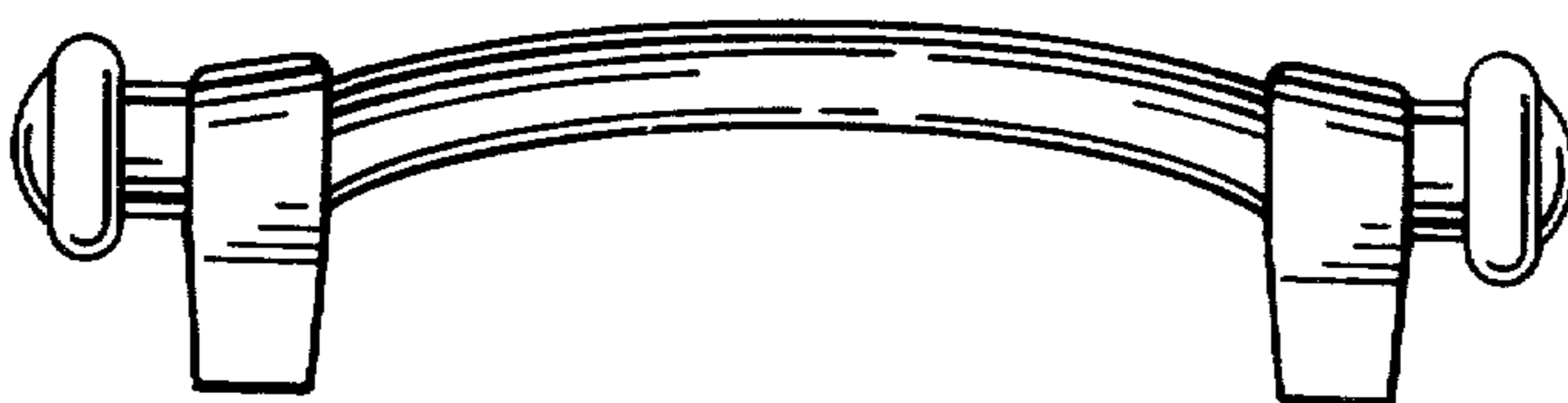


FIG. 2.

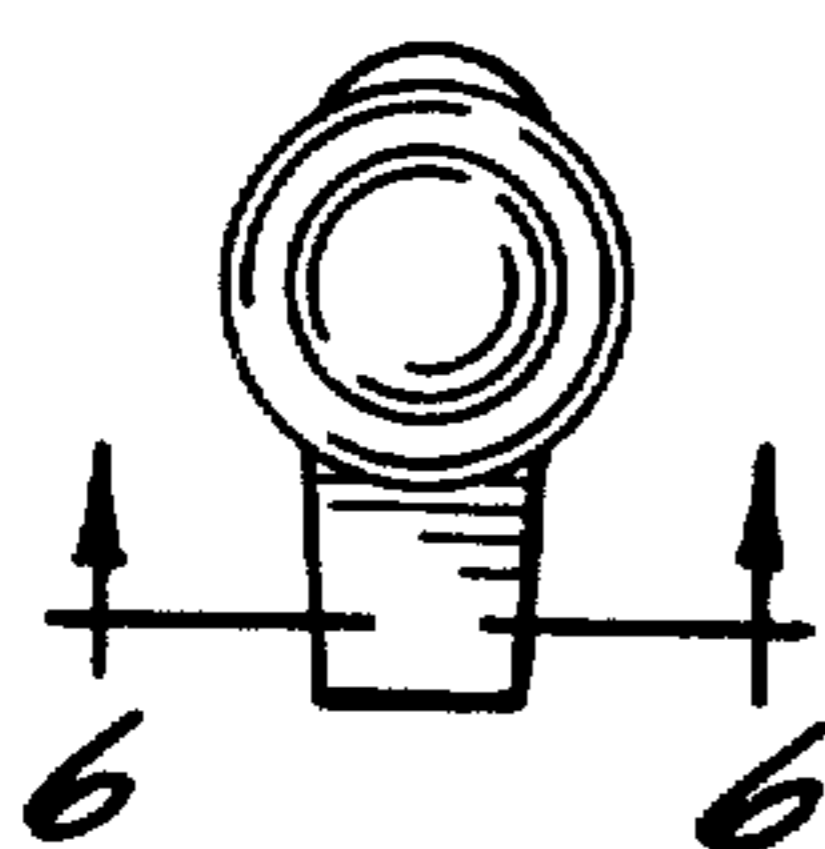


FIG. 3.



FIG. 4.

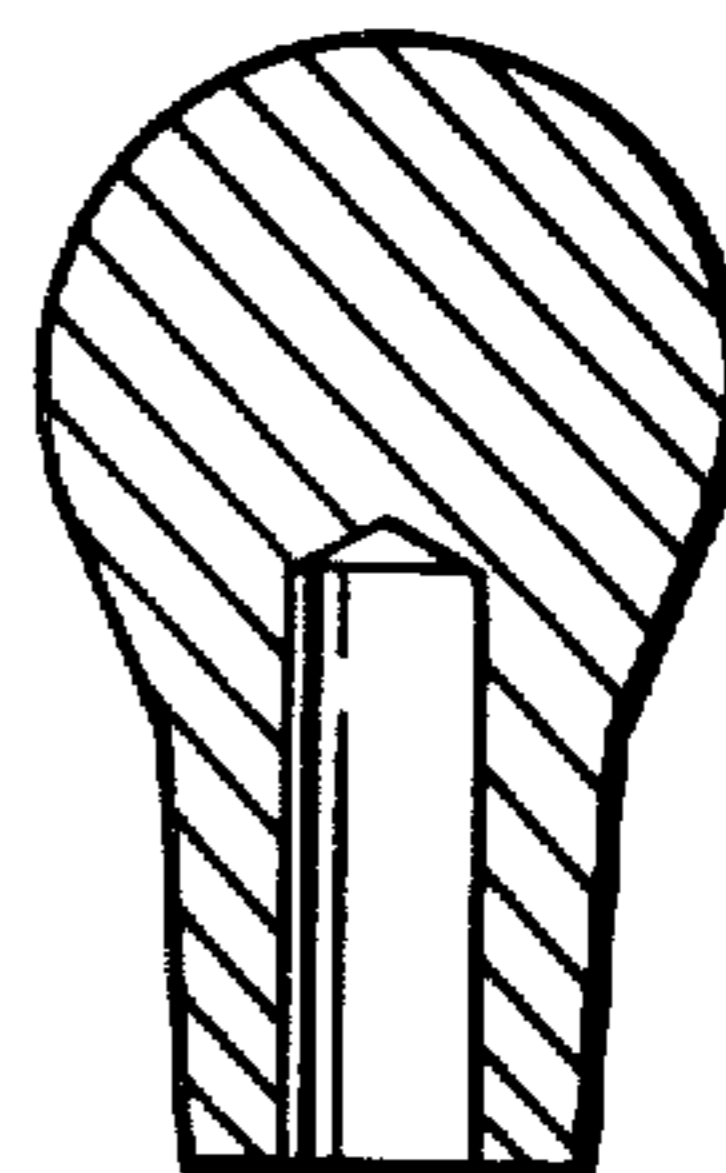


FIG. 5.



FIG. 6.