

[54] TRAY  
 [75] Inventor: William B. Wyatt, Jr., Nashville, Tenn.  
 [73] Assignee: Aladdin Industries, Chicago, Ill.  
 [\*\*] Term: 14 Years  
 [21] Appl. No.: 211,362  
 [22] Filed: Nov. 28, 1980

D. 132,425 5/1942 Erickson ..... D7/38  
 D. 206,761 1/1967 Kirwan ..... D7/38  
 D. 219,240 11/1970 Bridges et al. .... D7/38  
 D. 250,505 12/1978 Seager ..... D7/38 X  
 3,754,640 8/1973 Bridges ..... D7/38 X

Primary Examiner—Winifred E. Herrmann  
 Attorney, Agent, or Firm—McDougall, Hersh & Scott

[51] Int. Cl. .... D07—99  
 [52] U.S. Cl. .... D7/38  
 [58] Field of Search ..... D7/38, 71; D9/347; D3/40

[57] CLAIM

The ornamental design for a tray, as shown.

DESCRIPTION

FIG. 1 is a top perspective view of a tray showing my new design;  
 FIG. 2 is a top plan view thereof;  
 FIG. 3 is a bottom plan view thereof;  
 FIG. 4 is a front side elevational view thereof;  
 FIG. 5 is a rear side elevational view thereof;  
 FIG. 6 is a left end elevational view of FIG. 2; and  
 FIG. 7 is a right end elevational view of FIG. 2.

[56] References Cited

U.S. PATENT DOCUMENTS

D. 101,730 10/1936 Blackinton ..... D7/38

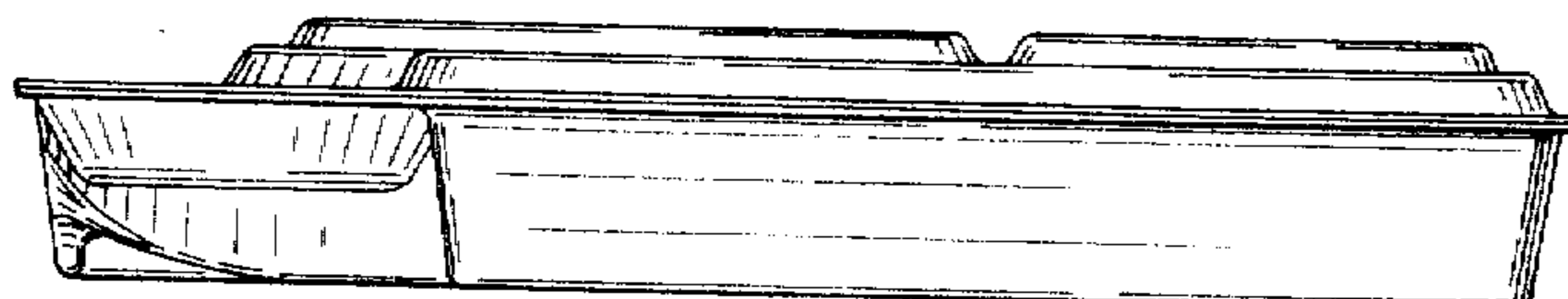
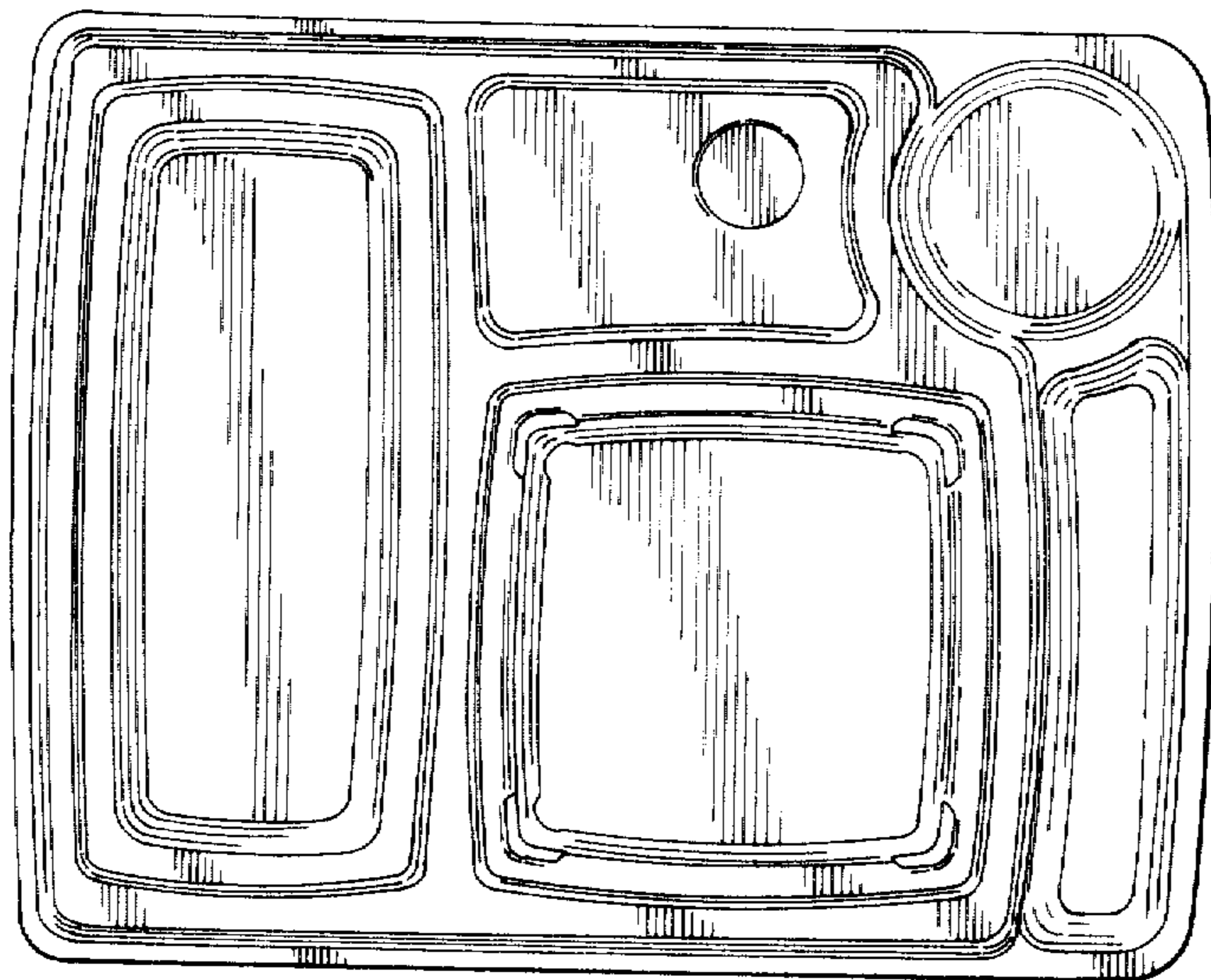
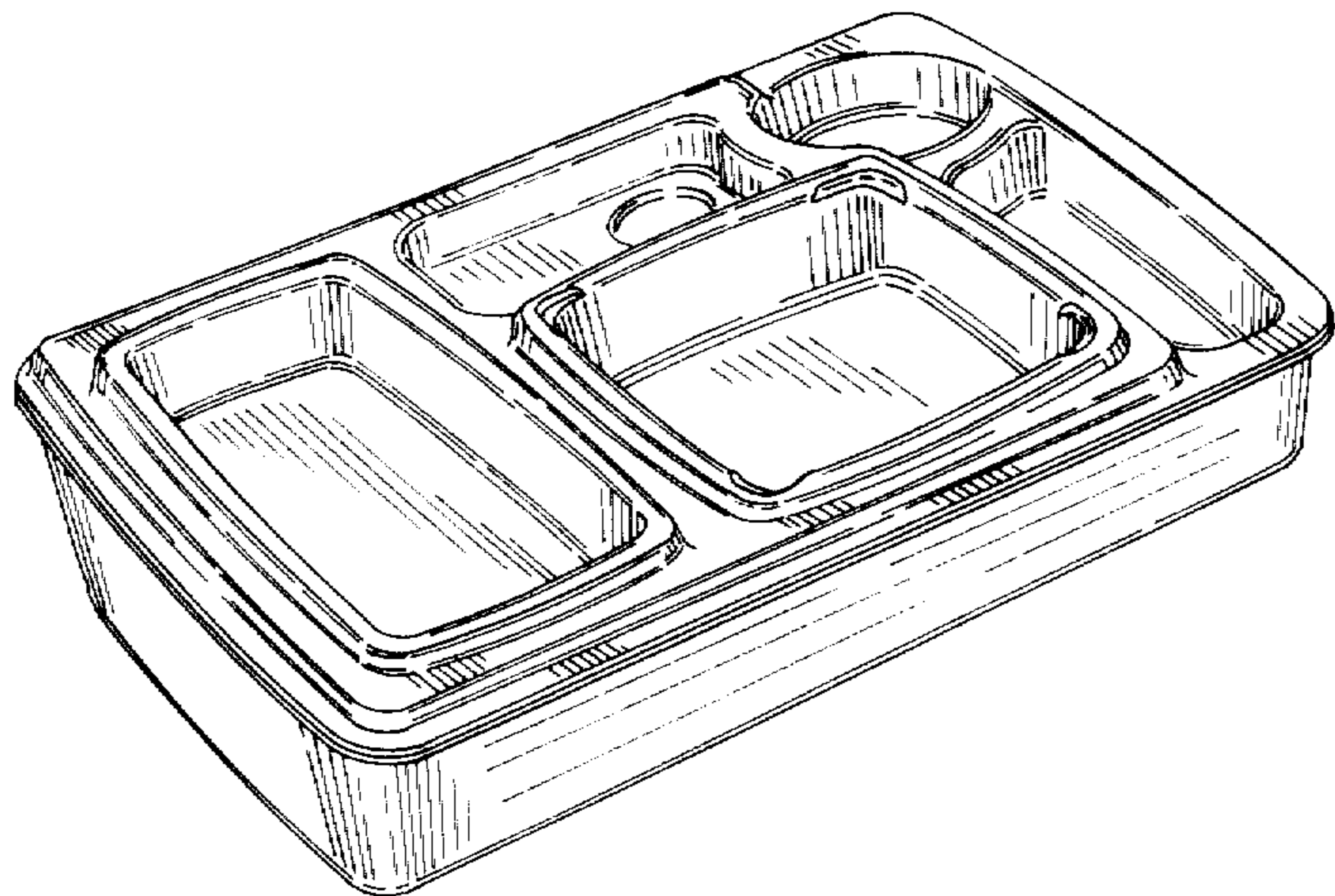


FIG-1-

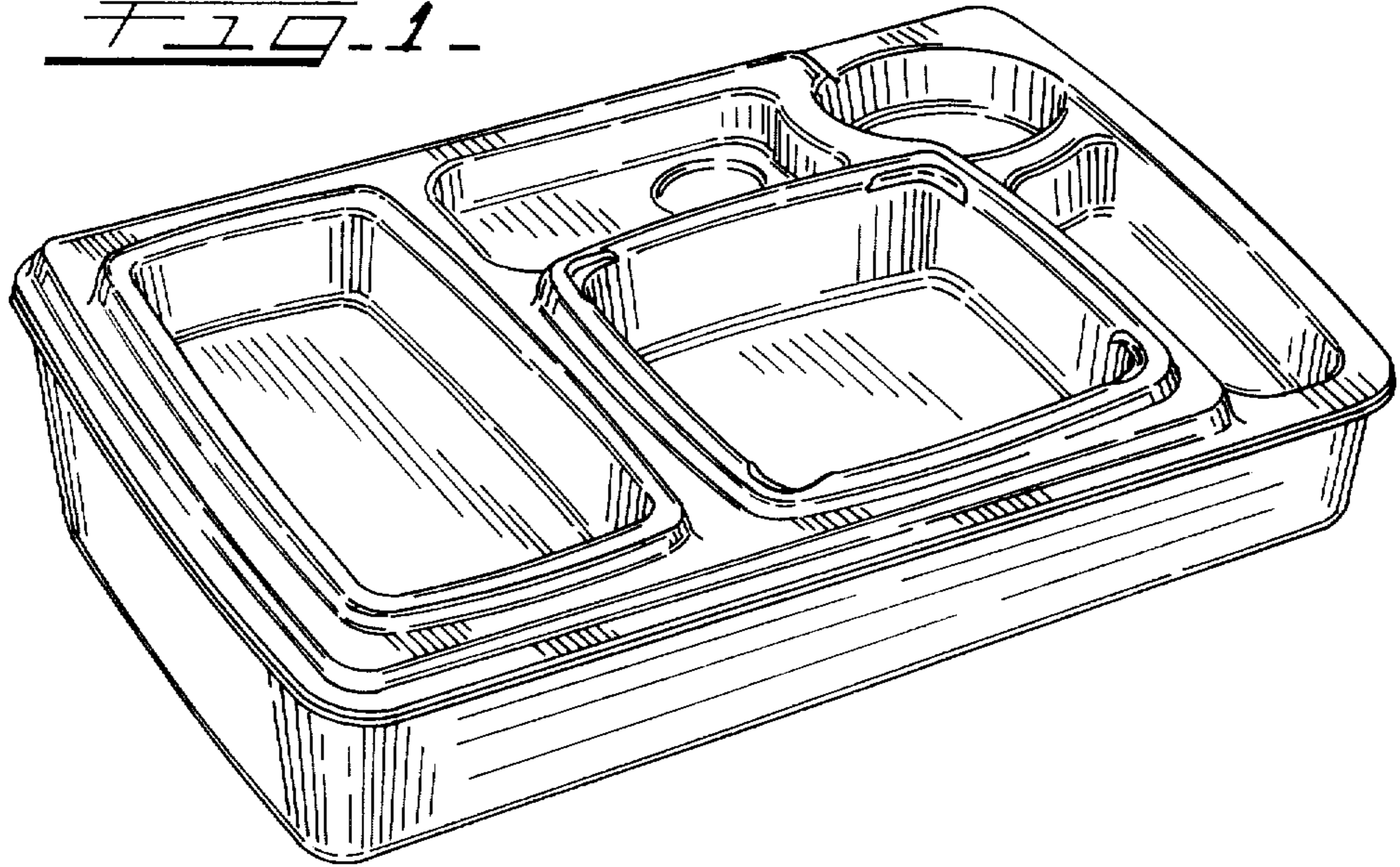


FIG-6-

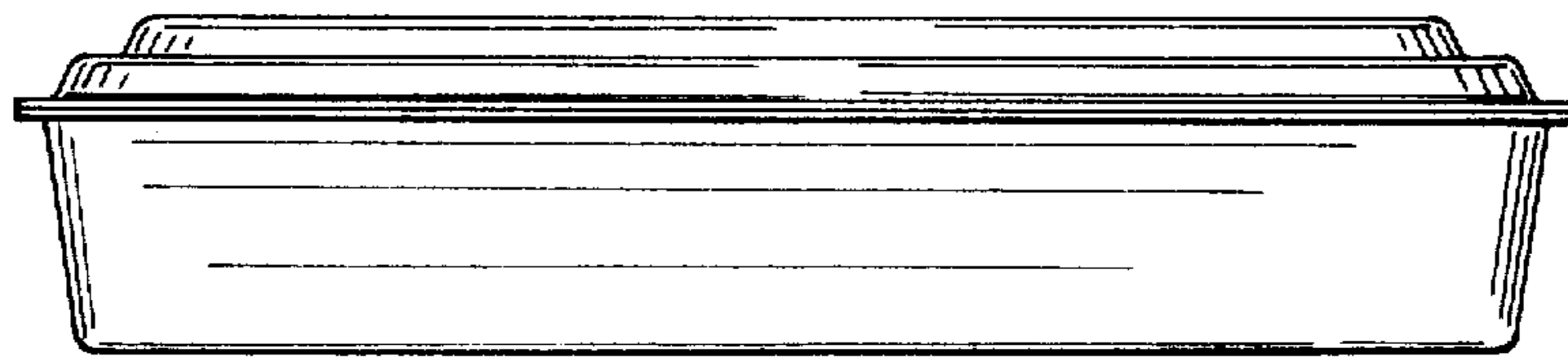


FIG-7-

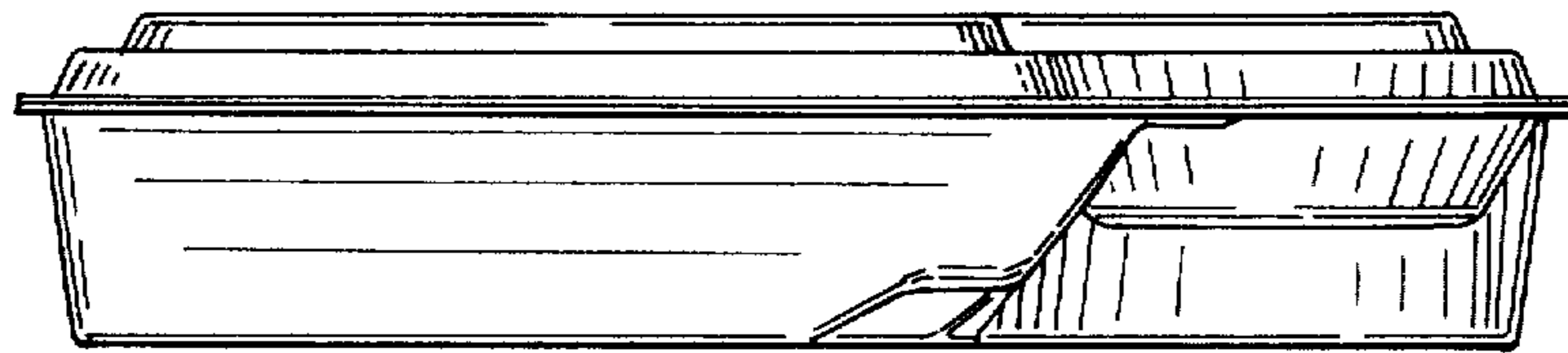


FIG. 2.

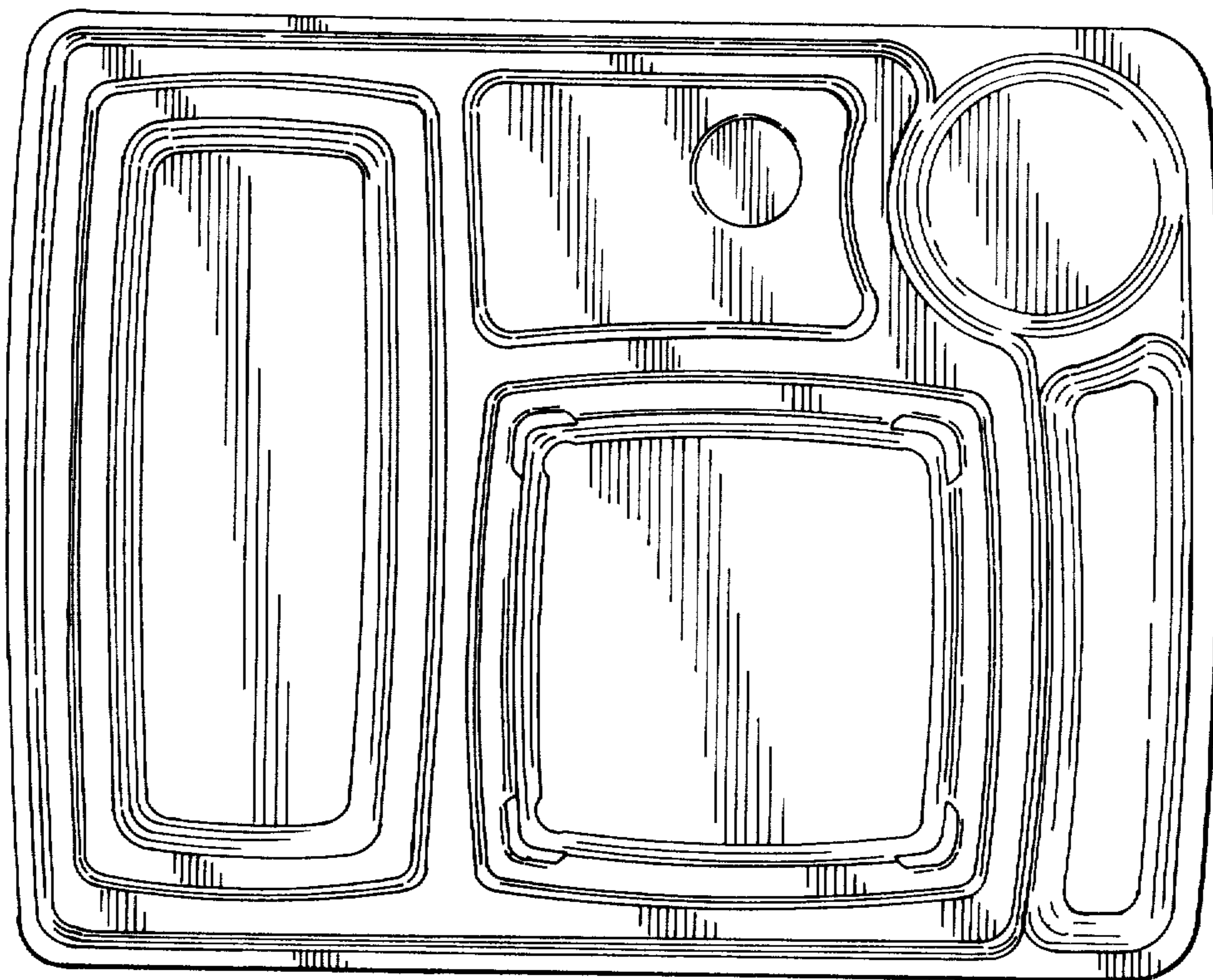


FIG. 4.

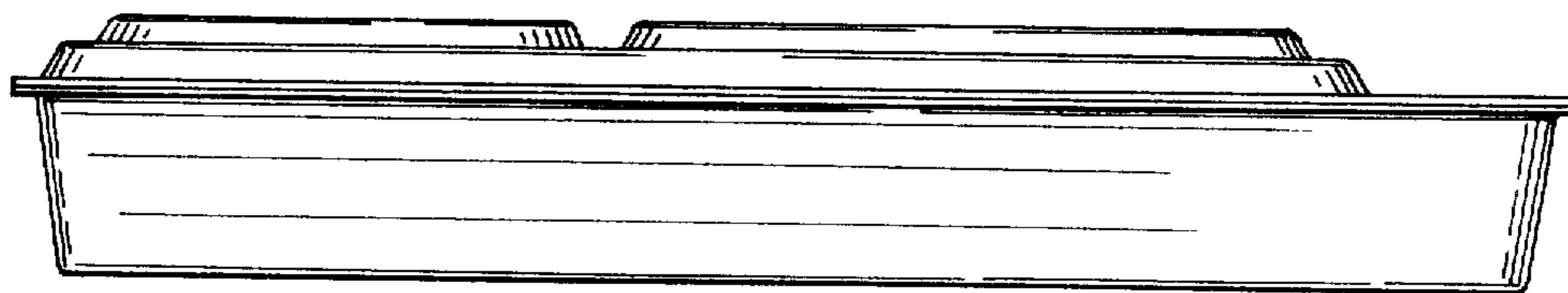


FIG. 3.

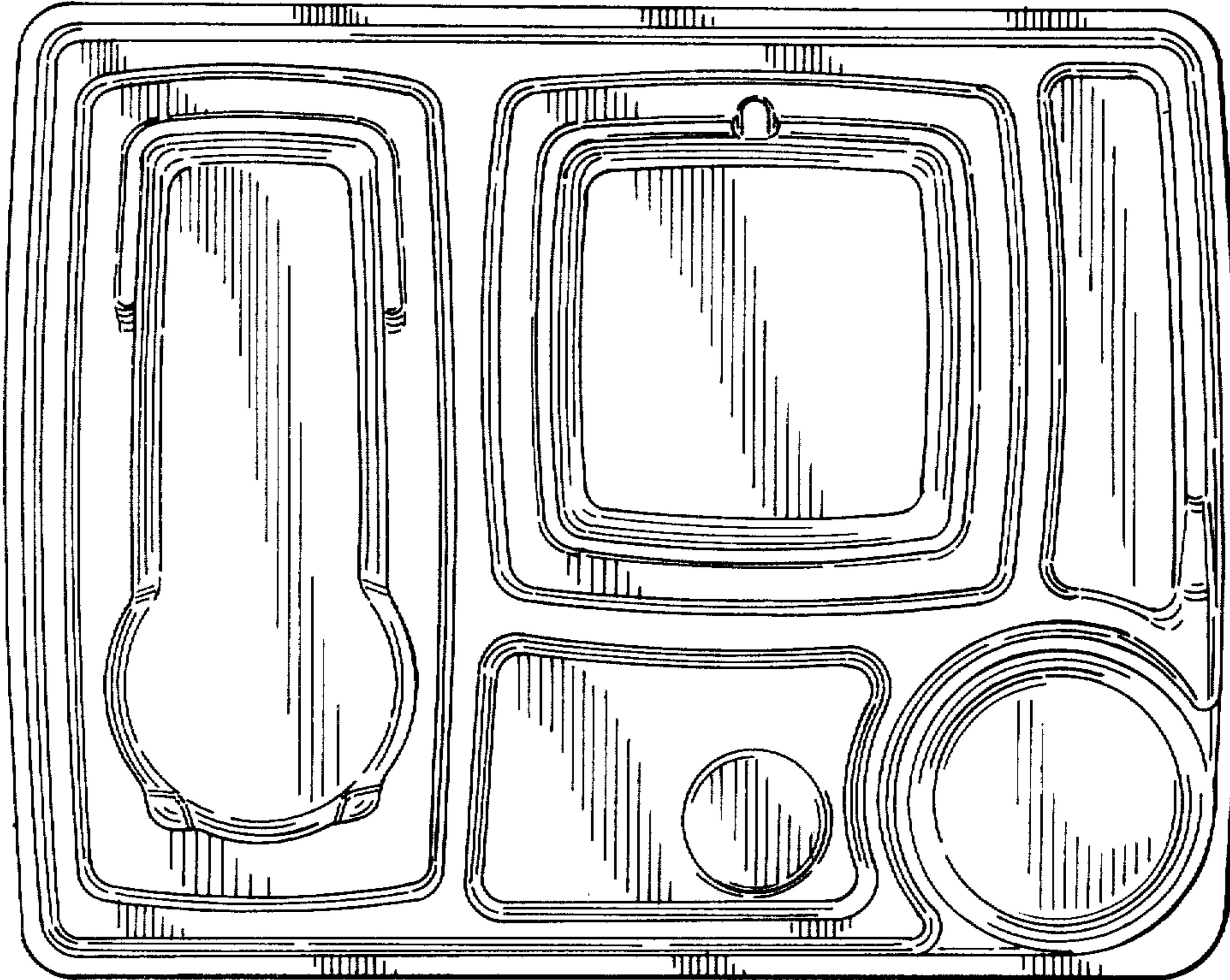


FIG. 5.

